

Electrical

(REV. X)

ELECTRICAL SPECIFICATIONS @ 25°C

OPERATING TEMPERATURE: -40°C TO +85°C

URNS RATIO :

(1-4) : (2-5) : (9-7) : 1 : 1 : 1 ± 2%

INDUCTANCE :

(1-5) WITH 2,4 CONN. : 2.82 TO 3.18mH @ 0.1Vac, 10KHz, 0-160mADC

LEAKAGE INDUCTANCE:

(1-5) WITH (7-9) SHORTED, AND 2-4 TIED. : 11uH MAX. @ .01V, 100KHz

D.C. RESISTANCE:

(1-4)+(2-5) : 2.50 ohms MAX.
(9-7) : 1.0 ohms MAX.

HARMONIC DISTORTION:

: -70dB MAX. @ 40KHz

LONGITUDINAL BALANCE:

: 53dB MIN., 40-200KHz

DIELECTRIC VOLTAGE WITHSTAND:

(10-7) TO (1,2,4,5) : 1500VAC FOR 2 SECOND

INTERWINDING CAPACITANCE:

(1-5) TO (9-7) : 60pF MAX., 100KHz (TIE 2+4)

RETURN LOSS: SEE NOTE 1

: 20dB MIN., 40-200KHz

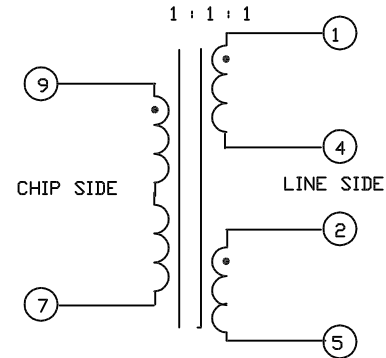
INSERTION LOSS: SEE NOTE 1

: 0.4dB MAX., 200KHz

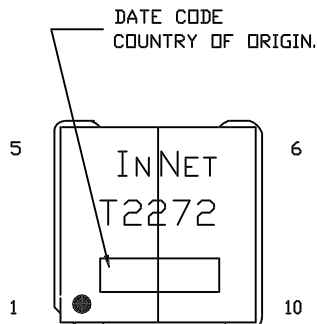
FREQUENCY RESPONSE: SEE NOTE 1

: ±0.1dB, 40-200KHz

NOTE 1: R-CHIP SIDE=32 OHMS AND R-LINE SIDE=135 OHMS.

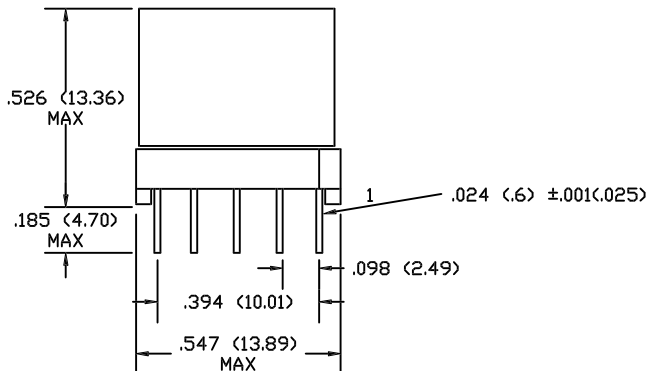
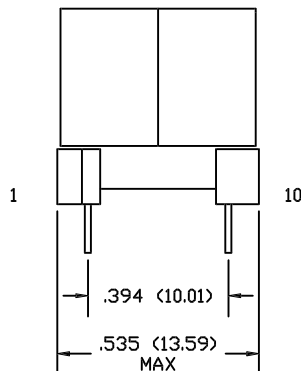
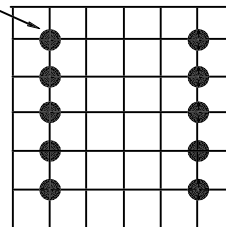


Mechanical



RECOMMENDED LAYOUT
.098 (2.49) GRID

0.047 (1.20) .10 PLACES



NOTES:

COIL FORM IS UL 94 V0 FLAME RATED*

PINS ARE TIN COPPER ALLOY.

WEBSITE innet-tech.com

E-MAIL innet@innet-tech.com

NORTH AMERICA

tel 858-578-8094
fax 858-578-5762

HONG KONG

tel 852-2690-1049
fax 852-2687-6441

CHINA

tel 86-769-229-2901
fax 86-769-225-0747