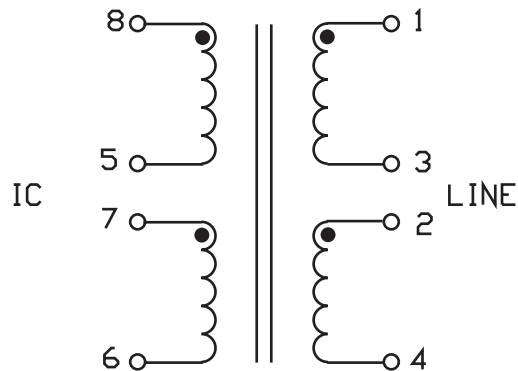


SHDSL MAGNETICS

S560-6600-KZ

ELECTRICAL CHARACTERISTICS (@25°C)

SCHEMATIC



UNBALANCE DC CURRENT: 60mA
 INSERTION LOSS: 0.6 dB MAX@ 100kHz
 LONGITUDINAL BALANCE: 52 dB MIN
 20kHz TO 300kHz PER ITU METHOD (L->M)
 HARMONIC DISTORTION: -76 dB MAX
 4 Vrms @ 5kHz, SOURCE, LINE SIDE
 WITH Rs = 135Ω AND RLOAD = 603Ω AT IC SIDE

OPERATING TEMPERATURE RANGE: -40°C TO +85°C

NOMINAL TURNS RATIO:
 (1-4) : (8-6) 0.473 : 1
 CONNECT TERMINALS 2 TO 3 & 5 TO 7

DC RESISTANCE:
 (1-4) 6.0 Ω MAX
 (8-6) 28.0 Ω MAX
 CONNECT TERMINALS 2 TO 3 & 5 TO 7

INDUCTANCE @ 10 kHz, 0.1 Vrms:
 (1-4) @ 0AMP DC & 20 mA DC 3.2 mH ±7%
 CONNECT TERMINALS 2 TO 3

MAXIMUM LEAKAGE INDUCTANCE:
 (1-4) 8 μH
 CONNECT TERMINALS 2 TO 3 & 5 TO 7
 SHORT TERMINALS 5, 6, 7 & 8

MAXIMUM INTERWINDING CAPACITANCE:
 (1-4) 160 pF
 CONNECT TERMINALS 2 TO 3 & 5 TO 7

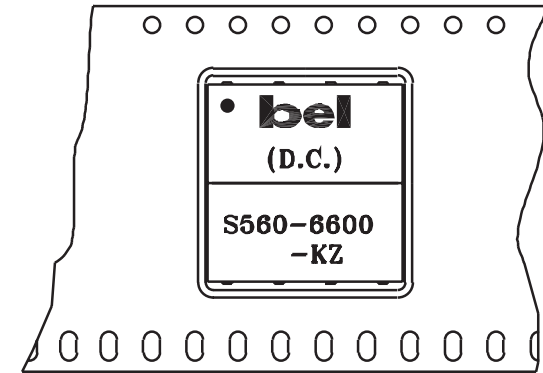
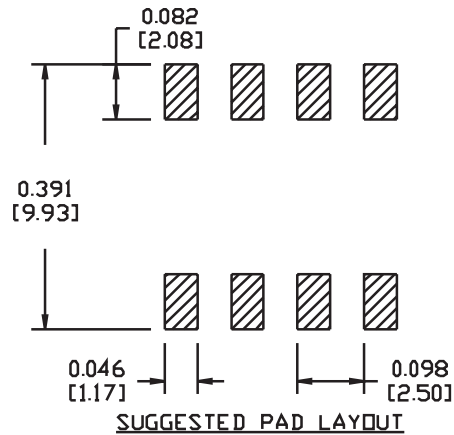
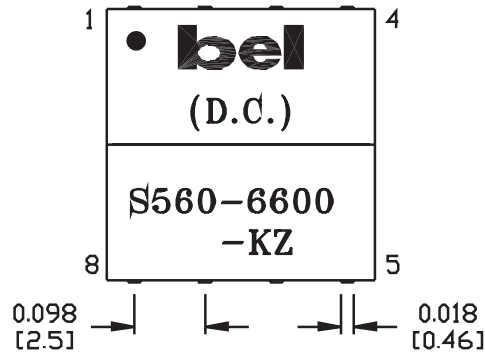
MINIMUM DIELECTRIC RATING:
 BETWEEN (1-4) & (8-6) 1500 Vrms
 CONNECT TERMINALS 2 TO 3 & 5 TO 7
 BETWEEN (1-3) & (2-4) FOR 1 MINUTE 600 Vrms

DESIGNED TO COMPLY WITH UL-1950, EN60950 WITH BASIC INSULATION AND 250 VOLT WORKING VOLTAGE.
 UL-FILE # BABT CERIFICATE #



SHDSL MAGNETICS

S560-6600-KZ



➔ USER FEED DIRECTION

ORIENTATION OF COMPONENT INSIDE POCKET

TAPE WIDTH	24MM
POCKET PITCH	20MM
QUANTITY OF COMPONENTS PER REEL	200
PLASTIC REEL OUTER DIAMETER	13 INCHES
PLASTIC REEL HUB DIAMETER	4 INCHES

