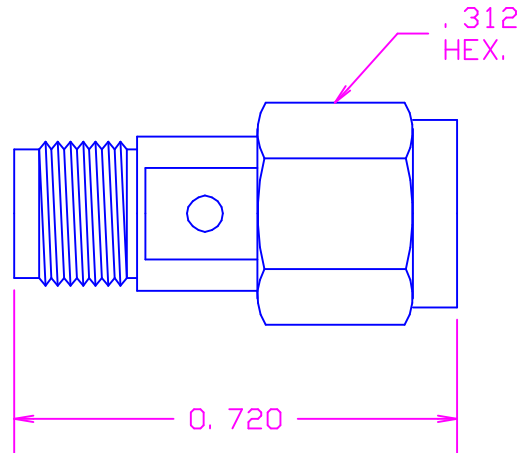
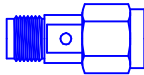


DATE	SYM	REVISION	RECORD	AUTH.	DR.	CK.
					NT	



MATERIAL: BODY- CORROSION RESISTANT STEEL PER QQ-S-763
 CONTACT MALE AND FEMALE- BERYLLIUM COPPER PER QQ-C-530
 INSULATION- TEFLON[®] PER MIL-P-19468
 FINISH: BODY- GOLD PLATED
 CONTACT- .0001"MIN. GOLD PER MIL-G-45204
 IMPEDANCE: 50 OHMS REF.

ACTUAL SIZE



TOLERANCES REF. ONLY	CONCORD ELECTRONICS CORPORATION		
DECIMAL + -	P/N	SCALE	30 GREAT JONES ST. NEW YORK N. Y. 10012
FRACTIONAL + -	TITLE ADAPTER JACK-PLUG		
+ -	DATE 7-23-98	DRAWING NUMBER 800-1231-03-83	