

DATA CONTAINED IN THIS DOCUMENT IS PROPRIETARY TO TROMPETER ELECTRONICS, INC. AND SHALL NOT BE DISCLOSED, COPIED OR USED FOR PROCUREMENT OR MANUFACTURE WITHOUT EXPRESS WRITTEN PERMISSION.

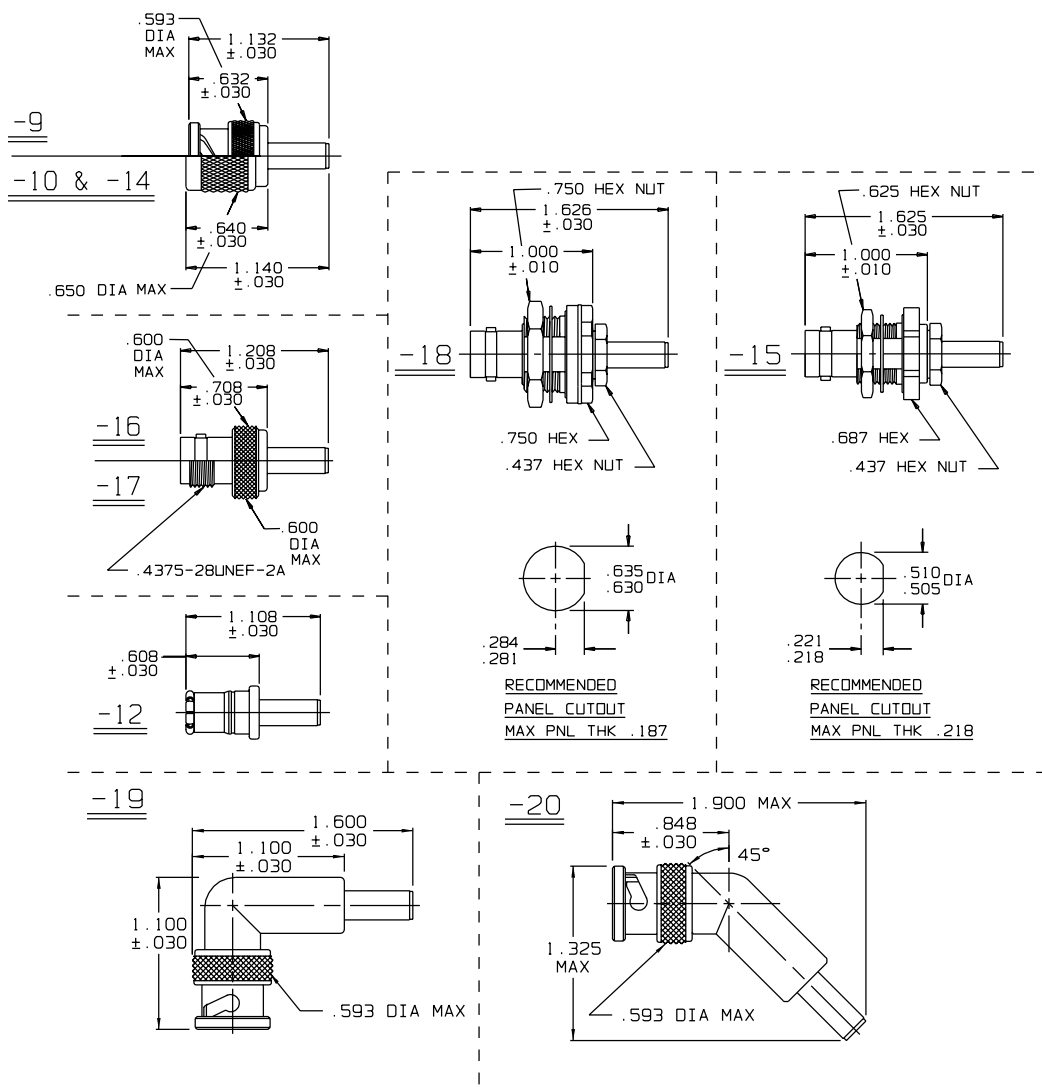
REV		ED	DESCRIPTION	DWN	APPROVED	DATE
A			PRODUCTION RELEASE	DKC		

105-1714 SH 1

DASH NO	CONN TYPE	ASSEMBLE PER
-9	UPL220	TAI-D118
-10	UPL240	
-12	UPL223	
-14	UPL240S	
-15	UBJ229	TAI-123
-16	UCJ220	TAI-D118
-17	UCJ240	
-18	UBJ226	TAI-123
-19	UPLR220	TAI-D118
-20	UPLFF220	

CONTACT TYPE	COMMERCIAL HEX	COMMERCIAL 8 POINT INDENTER
75 OHM PIN CONTACT	TEI CT4L BASIC TOOL WITH TEI C03-1 DIE, CLOSURE D (.042 HEX)	TEI 010-0055
75 OHM SOCKET CONTACT	TEI CT4L BASIC TOOL WITH TEI C03-1 DIE, CLOSURE D (.042 HEX)	TEI 010-0088

CONNECTOR TYPE	MILITARY HEX	COMMERCIAL HEX
75 OHM CONNECTORS	M22520/5-01 BASIC TOOL WITH M22520/5-05 DIE, CLOSURE A (.213 HEX)	TEI CT4L BASIC TOOL WITH TEI C03-1 DIE, CLOSURE A (.213 HEX)



4. EXAMPLE OF COMPLETE PART NO:  
 105-1714-9  
 BASIC PART NO ——— DASH NO

3. 75 OHM BNC/TNC/PUSH-ON FULL CRIMP COAXIAL CABLE PLUG FOR MOHAWK CABLE M54422

2. FINISH: TFS-1A (NICKEL)

1. ALL DIM ARE IN INCHES

QTY	DESCRIPTION	PART NUMBER	ITEM
TOL UNLESS SPECIFIED			
.XX ±			
.XXX ±			
.XXXX ±			
ANGLES ± 2° 0'			
DWN	DKC	2-13-96	
CHK			
ENGR			
APPR			
NEXT ASSY			
<b>TROMPETER ELECTRONICS, INC.</b>		220/240 SERIES MOHAWK M54422	
MATERIAL	CODE IDENT	DRAWING NO.	REV
	14949	105-1714	A
SCALE	DATE	SHEET	1C