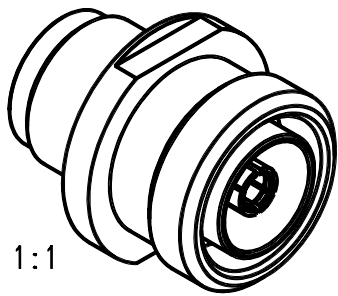
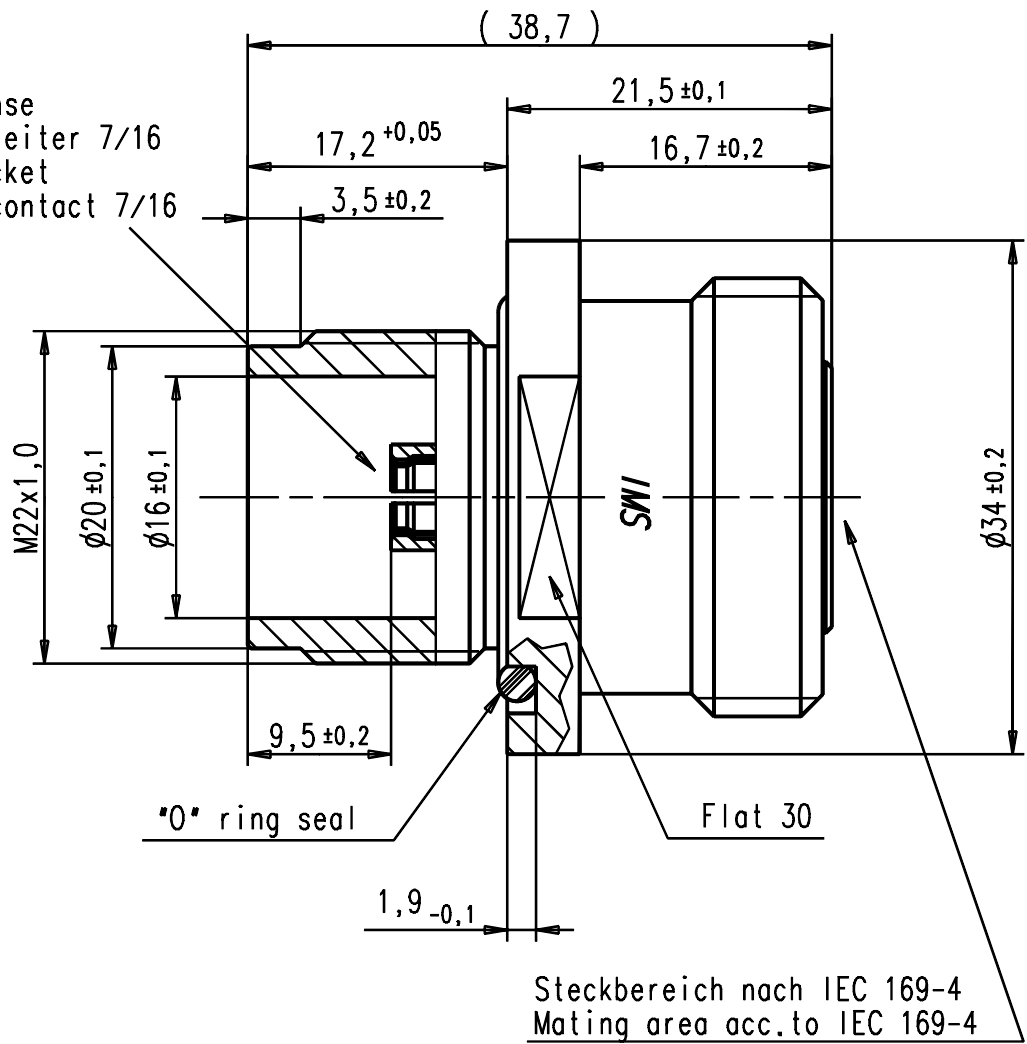


Kontaktbuchse  
 fuer Innenleiter 7/16  
 Contact socket  
 for inner contact 7/16



1:1

Part	Material	Surface
Housing	Copper alloy	Ag 3-5 $\mu$ m
Centre Contact	Copper alloy	Ag 5-8 $\mu$ m
Insulator	PTFE	
Sealing	Silicone rubber	
Mating face sealed and barrier sealed.		
Contact captivation torque: min. 45Ncm		

		general tolerance ISO 2768 mH	ISO 2768 -m- 0,5-3: $\pm 0,1$ 3-6: $\pm 0,1$ 6-30: $\pm 0,2$	scale: 2:1	1441-0016
				Assembly instruction: Stripping dimension:	
			date	name	<b>Chassisbuchse</b> <b>Bulkhead jack</b>
		generate	07.04.03	Mayer	
		checked			
		Norm			
			41123		
					3656.08.2018.10'
475/03	a	IMS-Logo+Remec Nr.			
nr.	rev.	alteration	date	name	Rev. a