

4

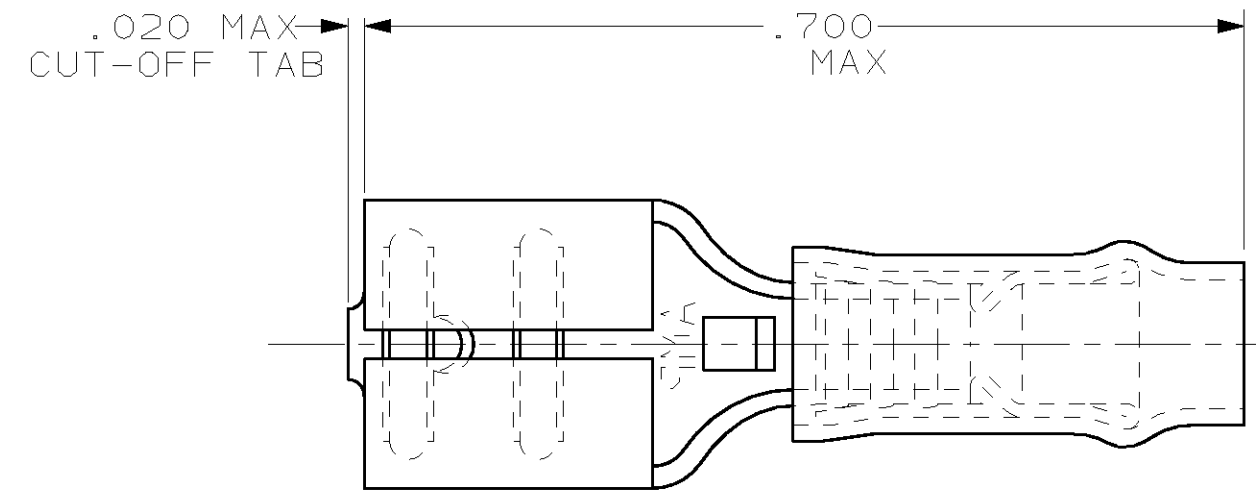
3

2

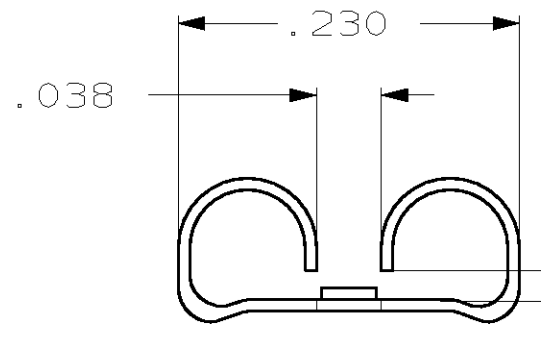
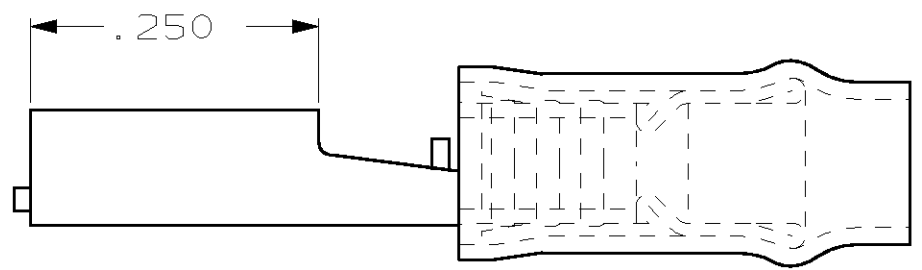
1

THIS DRAWING IS UNPUBLISHED. RELEASED FOR PUBLICATION ,19 .  
 © COPYRIGHT 19 BY AMP INCORPORATED. ALL RIGHTS RESERVED.

LOC		DIST		REVISIONS			
P	LTR	DESCRIPTION		DATE	DWN	APVD	
G	14	H		REV PER 0G3A-0176-02	08APR02	JR	TM



1. INSULATION DIA .082 MAX
2. FITS TAB THK .020±.001



FITS "187" SERIES FASTON TAB  
 (REFER TO CP-15978 FOR TAB DETAILS)

QTY	PACKAGE TYPE	PART NO
-	-	-
100	LOOSE PC, BOX	8-641321-1
-	TAPE MOUNTED	641321-2
-	LOOSE PIECE	641321-1

**AMP INCORPORATED**  
**CUSTOMER SERVICE SYSTEM**

FOR ADDITIONAL PRODUCT INFORMATION OR COPIES OF DRAWINGS AND TECHNICAL DOCUMENTS	PRODUCT INFORMATION CENTER 1-800-522-6752
FOR APPLICATION TOOLING INFORMATION	TOOLING ASSISTANCE CENTER 1-800-722-1111
FOR ORDER ENTRY	1-800-526-5142

MAX RECOMMENDED OPERATING TEMPERATURE:  
-

VOLTAGE RATING:  
-

CIRCULAR MIL AREA:  
-

THIS DRAWING IS A CONTROLLED DOCUMENT FOR AMP INCORPORATED. IT IS SUBJECT TO CHANGE AND THE CONTROLLING ENGINEERING ORGANIZATION SHOULD BE CONTACTED FOR THE LATEST REVISION.

DIMENSIONS, INCHES	TOLERANCES UNLESS OTHERWISE SPECIFIED:
	0 PLC ±-
	1 PLC ±-
	2 PLC ±.015
	3 PLC ±-
	4 PLC ±-
	ANGLES ±-

MATERIAL: BODY, BRASS .016  
 SLV, NYLON, COLOR, YELLOW

FINISH: BODY, TIN

DWN	L OLMEDA	26 JUN 95
CHK	M ELLIS	26 JUN 95
APVD	B BARE	26 JUN 95
PRODUCT SPEC	-	-
APPLICATION SPEC	-	-
WEIGHT	-	-

CUSTOMER DRAWING

**AMP** AMP Incorporated  
 Harrisburg, PA 17105-3608

NAME: RECEPTACLE, 187 SERIES, FASTON™, PIDG™, WIRE SIZE, 26-24 AWG

SIZE	CAGE CODE	DRAWING NO
A3	00779	C-641321

SCALE: NTS SHEET: 1 OF 1 REV: H

## PIDG FASTON (Continued)

### Receptacles

#### Receptacle Style:

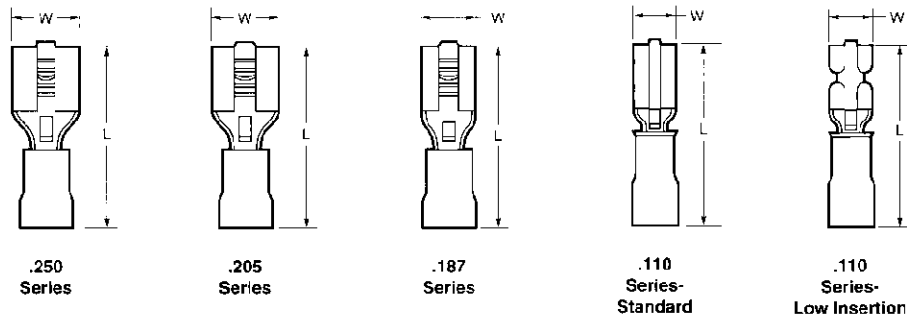
- A — No dimple with wire stop
- B — Dimple with wire stop
- C — No dimple, no wire stop

#### Material

**Insulation** — Nylon, UL 94V-2  
**Receptacle Body** — Brass per ASTM B-36 or Phosphor Bronze per ASTM B-139  
**Plating** — Tin per ASTM B-545 except where noted.  
**Metallic Sleeve** — Copper per ASTM B-152  
**Plating** — Tin per ASTM B-545

#### Related Product Data

**Insulation Color Code** — pg. 4  
**Packaging Quantities** — pg. 4  
**Performance Specifications** — pgs. 4 & 5  
**Application Tooling** — pg. 73



Series	Wire Size Circular Mills [mm <sup>2</sup> ]	Style	Dimensions		Terminal Insulation Color	Wire Insulation Diameter Max.	Recept. Matl.	Stock Thk.	Fits Tab Thk.	Part Numbers		
			W Nom.	L Max.						Loose Piece	Tape Mounted	Strip Form
.250	22-18 509-1,900 [0.26-0.96]	B	.300	.900	Rec	.140	Brass	.018	.032	640903-1*	640903-2	640902-1
			7.62	22.86	Rec	3.56	Brass	0.46	0.81	55675-1 <sup>2</sup>	55675-2 <sup>2</sup>	—
	16-14 2,050-5,180 [1.04-2.62]	B	.300	.900	Blue	.170	Brass	.018	.032	640905-1*	640905-2	640904-1
			7.62	22.86	Blue	4.32	Brass	0.46	0.81	—	—	—
	14-12 3,831-6,470 <sup>1</sup> [1.94-3.28]	B	.300	1.012	Green	.250	Brass	.018	.032	42844-1 <sup>1†</sup>	42844-3†	60544-3†
			7.62	25.70	Green	6.35	Phos. Brz.	0.46	0.81	42844-2 <sup>1†</sup>	—	—
	12-10 5,180-13,100 [2.62-6.64]	B	.300	1.012	Yellow	.250	Brass	.018	.032	640907-1*	640907-2	640906-1
			7.62	25.70	Yellow	6.35	Phos. Brz.	0.46	0.81	61198-2	61198-4	—
.250 Low Insertion	22-18 509-1,900 [0.26-0.96]	B	.300	.900	Red	.145	Brass	.016	.032	184262-1	184262-2	184261-1
			7.62	22.86	Red	3.68	Brass	.406	.813	—	—	—
16-14 2,050-5,180 [1.04-2.62]	B	.300	.900	Blue	.173	Brass	.016	.032	184265-1	184265-2	184264-1	
		7.62	22.86	Blue	4.39	Brass	.406	.813	—	—	—	
.205	22-18 509-1,900 [0.26-0.96]	B	.250	.800	Red	.135	Brass	.016	.020	696018-1	696018-2	—
			6.35	20.32	Red	3.43	Brass	0.41	0.51	640909-1*	640909-2	640908-1
	.250	B	.250	.800	Rod/Black	.140	Brass	.016	.020	640 <sup>1</sup> 74-1	—	—
			6.35	20.32	Rod/Black	3.56	Brass	0.41	0.51	—	—	—
	.250	B	.250	.800	Red	.140	Brass	.016	.032	640911-1*	640911-2	640910-1
			6.35	20.32	Red	3.56	Brass	0.41	0.81	—	—	—
16-14 2,050-5,180 [1.04-2.62]	B	.250	.800	Blue	.170	Brass	.016	.020	640913-1*	640913-2	—	
		6.35	20.32	Blue	4.32	Brass	0.41	0.51	640915-1*	640915-2	—	
.187	26-24 238-475 [0.12-0.24]	B	.230	.700	Yellow	.082	Brass	.016	.020	641321-1 <sup>††</sup>	641321-2 <sup>†</sup>	641320-1 <sup>†</sup>
			5.84	17.78	Yellow	2.08	Brass	0.41	0.51	—	—	—
	22-18 509-1,900 [0.26-0.96]	B	.230	.800	Red	.140	Brass	.016	.020	640917-1*	640917-2	6409 <sup>†</sup> 6-1
			5.84	20.32	Red	3.56	Brass	0.41	0.51	—	—	—
.230	B	.230	.800	Red	.140	Brass	.016	.040	—	640578-2 <sup>1</sup>	—	
		5.84	20.32	Red	3.56	Brass	0.41	1.02	—	—	—	

<sup>1</sup>Not UL or CSA approved or listed.  
<sup>2</sup>Available in small packaging quantities.

<sup>†</sup>Wire range is limited as noted.  
<sup>††</sup>Unplated receptacle body.



# Products for Industrial and Commercial Applications

## Terminals and Splices

### Standard Terminals and Splices

#### PIDG FASTON Receptacles

#### Material and Finish:

**Insulation**—Nylon  
**Receptacle Body**—Brass per ASTM B-35, tin plated per MIL-T-10727  
**Metallic Sleeve**—Copper per ASTM B-152, tin plated per MIL-T-10727

#### Receptacle Style:

**A**—No dimple, with wire stop  
**B**—Dimple, with wire stop

#### .250 Series

Wire Size Circular Mills [mm <sup>2</sup> ]	Receptacle Style	Dim. W	Terminal Insulation Color	Wire Insulation Diameter Max.	Fits Tab Thickness	Part Numbers		
						Loose Piece	Tape Mounted	Strip Form
22-18 509-1,900 [0.26-0.96]	B	.300 7.62	Red	.140 3.56	.032 0.81	640903-1 <sup>2</sup>	640903-2	640902-1
16-14 2,050-5,180 [1.04-2.62]	B	.300 7.62	Blue	.170 4.32	.032 0.81	640905-1 <sup>2</sup>	640905-2	640904-1
14-12 3,831-6,470 <sup>3</sup> [1.94-3.28]	B	.300 7.62	Green	.250 6.35	.032 0.81	42844-1 <sup>1,2,4</sup>	42844-3 <sup>1,4</sup>	—
			Green	.250 6.35	.032 0.81	42844-2 <sup>1,3,5</sup>	—	—
12-10 5,180-13,100 [2.62-6.64]	B	.300 7.62	Yellow	.250 6.35	.032 0.81	640907-1	640907-2	640906-1
						61198-2 <sup>5</sup>		

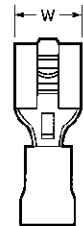


.250 Series

<sup>1</sup>Not UL listed or CSA certified.  
<sup>2</sup>Available in small packaging quantities.  
<sup>3</sup>Wire range is limited, as noted.  
<sup>4</sup>Contact Customer Assistance Hotline for Tooling Application.  
<sup>5</sup>Receptacle Material = Phos. Brz.

#### .205 Series

Wire Size Circular Mills [mm <sup>2</sup> ]	Receptacle Style	Dim. W	Terminal Insulation Color	Wire Insulation Diameter Max.	Fits Tab Thickness	Part Numbers		
						Loose Piece	Tape Mounted	Strip Form
22-18 509-1,900 [0.26-0.96]	B	.250 6.35	Red	.135 3.43	.020 0.51	640909-1 <sup>1</sup>	640909-2	—
	B				.032 0.81	640911-1	640911-2	—
16-14 2,050-5,180 [1.04-2.62]	B	.250 6.35	Blue	.170 4.32	.020 0.51	640913-1	640913-2	—
	B				.032 0.81	640915-1	640915-2	—

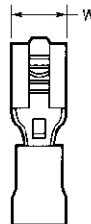


.205 Series

<sup>1</sup>Available in small packaging quantities.

#### .187 Series

Wire Size Circular Mills [mm <sup>2</sup> ]	Receptacle Style	Dim. W	Terminal Insulation Color	Wire Insulation Diameter Max.	Fits Tab Thickness	Part Numbers		
						Loose Piece	Tape Mounted	Strip Form
26-24 238-475 [0.12-0.24]	B	.230 5.84	Yellow	.082 2.08	.020 0.51	641321-1 <sup>2</sup>	641321-2 <sup>3</sup>	—
22-18 509-1,900 [0.26-0.96]	B	.230 5.84	Red	.135 3.43	.020 0.51	640917-1 <sup>1</sup>	640917-2	640916-1
16-14 2,050-5,180 [1.04-2.62]	B	.230 5.84	Blue	.170 4.32	.020 0.51	640919-1 <sup>1</sup>	640919-2	640918-1



.187 Series

<sup>1</sup>Available in small packaging quantities.  
<sup>2</sup>Contact Customer Assistance Hotline for Tooling Application.  
<sup>3</sup>Not UL listed or CSA certified.

Terminals and Splices

- [Home](#)
- [Part Number Search](#)
- [Document Search](#)
- [Text Search](#)
- [Alternate Part Search](#)
- [Multiple Part Comparison](#)
- [Alphabetical Search](#)
- [Brand Search](#)
- [Industry Product Search](#)
- [Product Type Search](#)
- [Product Family Search](#)
- [Competitor Cross Reference](#)
- [Lead Free Solutions](#)
- [Help/Glossary](#)

<b>Current Brand View</b>	<a href="#">View All Tyco Electronics Brands</a> Click to activate links to all other products
AMP	

## Terminals and Splices

### Quick Disconnect Receptacles - Insulated

AMP    **641321-2**    Active    [Active](#)  
**(Tyco Electronics P/N: 641321-2)**

[Search for Parts](#) | SPrevious [1] 2 3 4 [Next](#) N

Document links for this part cannot be displayed. Your browser does not support inline frames or is currently configured not to display inline frames. Inline frames are supported in both Internet Explorer 5 and Netscape 6, as well as all later versions of these browsers.

Related Part Information		
General Information	eCommerce	Related Part Information
<ul style="list-style-type: none"> <li><span style="border: 1px solid red; padding: 2px;"></span> <a href="#">General Info</a></li> <li><span style="border: 1px solid red; padding: 2px;"></span> <a href="#">Sales Info</a></li> <li><span style="border: 1px solid red; padding: 2px;"></span> <a href="#">Assembly Subcontractors</a></li> </ul>	<ul style="list-style-type: none"> <li><span style="border: 1px solid red; padding: 2px;"></span> <a href="#">Pricing</a></li> <li><span style="border: 1px solid red; padding: 2px;"></span> <a href="#">Product Availability</a></li> </ul>	

**Photos & Line Drawings** - The photographs and/or line drawings are representative images of a product for viewing purposes only.

[Product Photo](#)

Searchable Features:	
<b>Brand:</b>	AMP
<b>Proprietary Name:</b>	PIDG FASTON
<b>Receptacle Style:</b>	Straight
<b>Fully Insulated:</b>	No
<b>Wire Range (mm [AWG]):</b>	26-24
<b>Tab Fit (mm [in]):</b>	4.75 x 0.51 [.187 x .020]
<b>Insulation Support:</b>	Insulation Support
<b>Insulation Diameter (mm [in]):</b>	2.16 [.085] Max.
<b>Insertion Force:</b>	Normal
<b>Material:</b>	Brass

Other Properties:	
<b>Voltage (VAC):</b>	300
<b>RU (UL Component Program):</b>	No
<b>CSA Certified:</b>	No
<b>Color:</b>	Yellow
<b>Wire Range (CMA):</b>	238 – 475
<b>Insulation Material:</b>	Nylon
<b>Stock Thickness (mm [in]):</b>	0.41 [0.016]

<b>Finish:</b>	Tin
<b>Dimple Type:</b>	Dimple with wire stop
<b>Packaging Method:</b>	Tape Mounted

---

[Copyright](#) and [Privacy Statement](#)

Visit [Tyco International, Ltd.](#)

[Products](#) | [Catalog](#) | [Brands](#) | [Industries](#) | [Commerce](#) | [Supplier](#) | [Customer Service](#) | [About](#) | [Home](#)