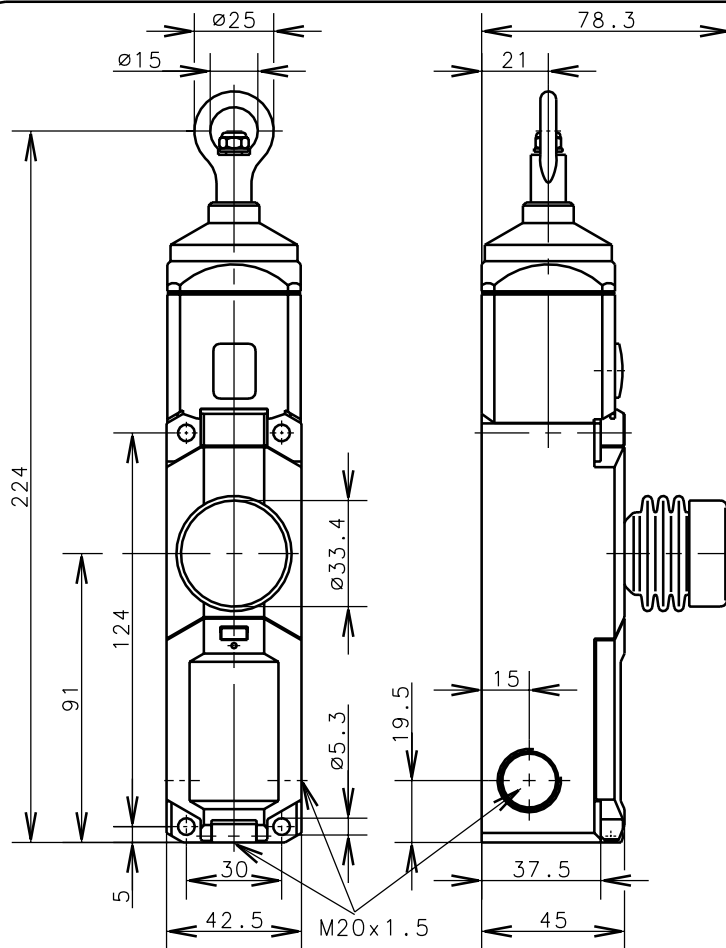


**Bernstein**Bernstein AG
Postfach 1164
D-32437 Porta Westfalica**Technical data sheet**

SR-U2Z 300

601.1620.020

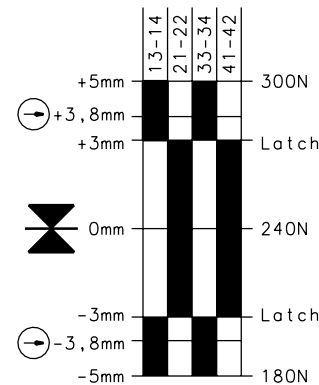


Positive opening operation according to DIN EN 60947-5-1 IEC 60947-5-1

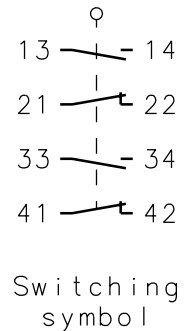
Reset function acc. to IEC 60947-5-5



Latching according to DIN EN 418



Switching diagram



Switching symbol

Tolerance of tensile force $\pm 15\%$ Schutzvermerk nach DIN 34 beachten
Copyright reserved

06.06.2001

Mechanical featuresEnclosure: PA 6 GV (UL94-V0)
Cover: PA 6 GV (UL94-V0)
Actuator: Zn-die cast/stAmbient air temperature: -25°C up to $+70^{\circ}\text{C}$
Contact type: 2 NC-contacts, 2 NO-contacts (Zb)
Contact gap: $> 2 \times 2 \text{ mm}$ Mechanical life: according to IEC 60947-5-5
Rope \varnothing : Pull ring
Fixing of rope: $D_o = \varnothing 2-5 \text{ mm}$ recommended
Rope length: $L_{\text{max.}} = 75 \text{ m}$ (with an end spring)
Mounting: 4 x M5
Connection type: 8 x cage clamp max. 1.5 mm^2 flex
Cable entry size: 3 x M20x1.5
Weight: approx. 0,48 kg
Latching device: acc. to DIN EN 418
Emergency stop reset function: Pull blue reset button
Assembly position: any**Electrical features**Rated insulation voltage: $U_i = 250 \text{ V}$
Utilization categorie: AC 15 230 V/4 A
Thermal current: $I_{\text{the}} = 10 \text{ A}$
Standards: according to EN 60947-1; EN 60947-5-1
Protection class (IP-Code): IP67 according to EN 60529; DIN VDE 0470 T1
Short-circuit protection: Fuse 10A gL, IEC/EN 60947-5-1, appendix K**Remarks**Rope with accessories can be delivered on request.
The specified protection class (IP-Code) will only be achieved with closed cover and when using an at least appropriate cable gland.