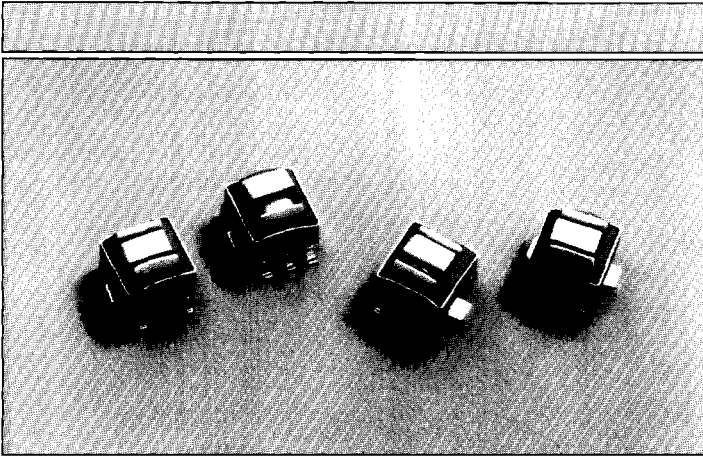


# Model Series HM33 Surface Mount Current Sense Transformer

Helimag™



## Features

- Surface mount design
- Compatible with surface mount process temperatures
- Designed for switching supply applications
- Optimal performance at 250 KHz and above
- Three standard turns ratios
- Custom designs available

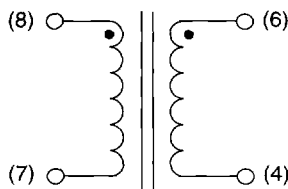
## Electrical / Mechanical / Environmental

Insulation Resistance Minimum	10 Megohms
Operating Temperature Range	-25°C to +105°C
Insulation System	Class B, 130°C

## Specifications

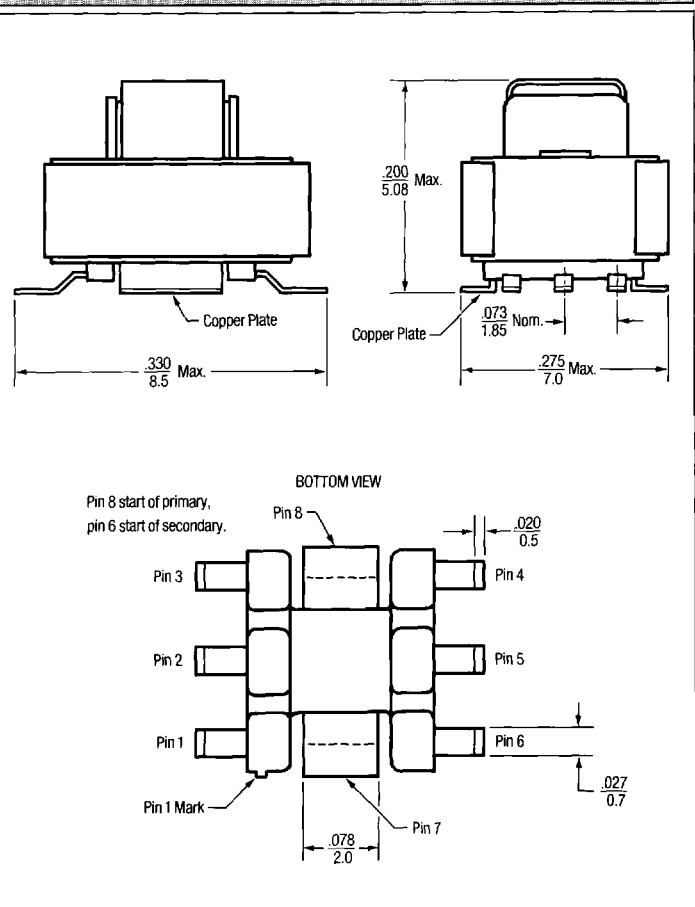
Model	Turns N1:N2	Secondary			Core Style
		Inductance at 10KHz ( $\mu$ H Min)	Secondary DC Resistance ( $\Omega$ ) Max	Primary Maximum Amps	
HM33-10070	1:70	980	4.75	6	EE
HM33-10040	1:40	320	1.35	6	EE
HM33-10030	1:30	180	1.0	6	EE

## Schematic



Electrical Specification at 25°C.  
Specifications subject to change without notice.

## Outline Dimensions



Custom designs available - contact BI Magnetics Engineering

**Beckman Industrial™**

Affiliate of Emerson Electric Co.

**Magnetic  
Components**