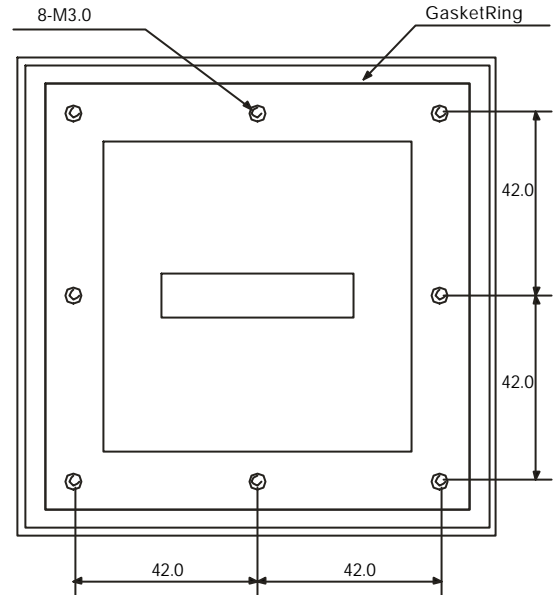
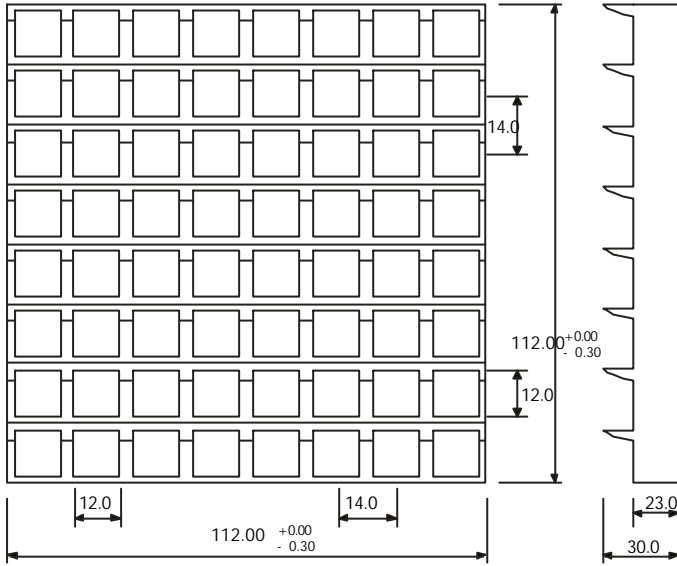


Packagedescription	PartNo.	Chip			LensType	IF (mA)	V <sub>f</sub> (V)Typ.	I <sub>v</sub> (mcd)Typ.	ViewingAngle 2θ 1/2
		Material	WaveLength λP(nm)	Emitting Color					

L64-14S FrontBody

L64-14S Back Body



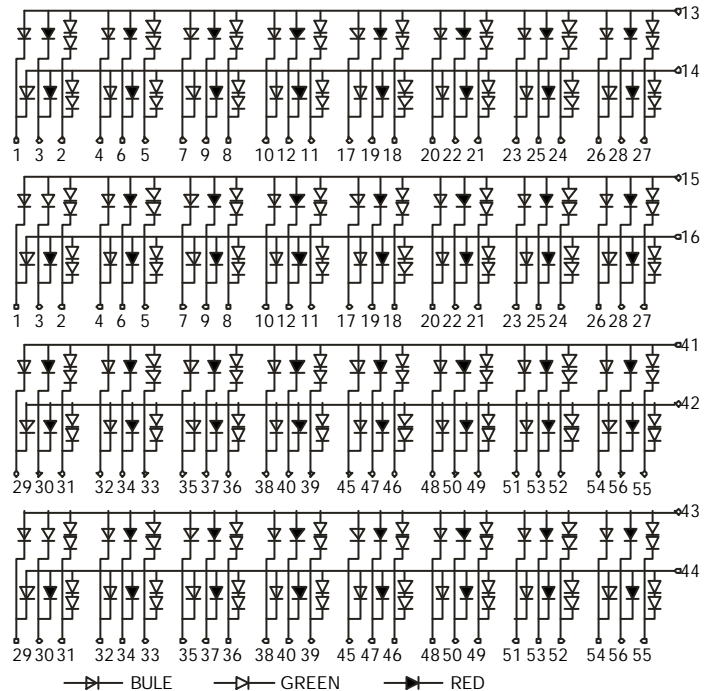
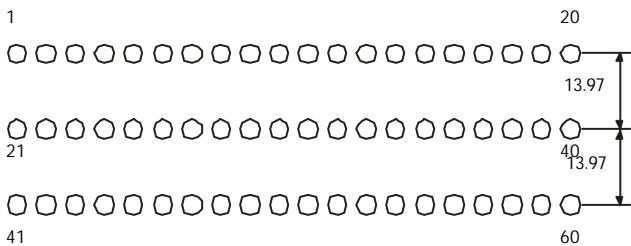
112×112mm FullColorWith64Pixels	L64-12S1HR2G1BED	GaAlAs	660	HighRed	WaterClear	1280	1.8	6400	±45°
		GaP	570	Green	WaterClear	1280	4.4	12800	±45°
		InGaN/Sic	470	Blue	WaterClear	1280	3.5	9600	±45°

L64-12S1R2G1B



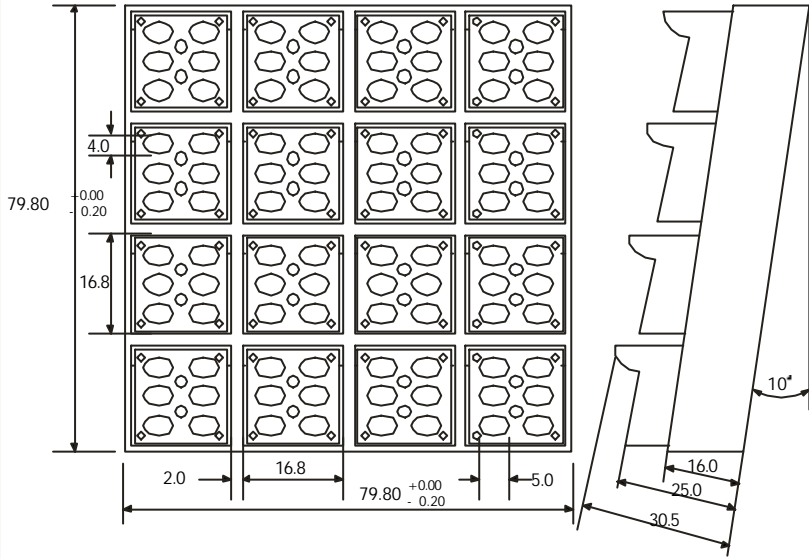
● Red    ○ Green    ◌ Blue

FlatCableOrder:

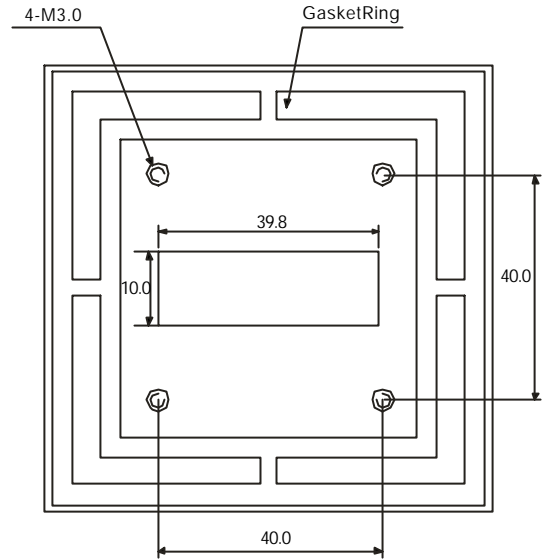


Packagedescription	PartNo.	Chip			LensType	IF (mA)	V <sub>f</sub> (V)Typ.	I <sub>v</sub> (mcd)Typ.	ViewingAngle 2θ 1/2
		Material	WaveLength λ P(nm)	Emitting Color					

L16-18S FrontBody

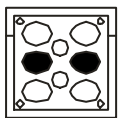


L16-16S Back Body



79.8×79.8mm DualColorWith16Pixels	L16-16S2HR4GED	GaAlAs	660	HighRed	WaterClear	320	3.6	2560	±45°
		GaP	570	Green	WaterClear	640	4.4	5120	±45°

L16-16S2R4G



● Red    ○ Green

FlatCableOrder:

