

NOTES:

1. MATERIAL AND FINISH:

BODIES: BeCu, WHITE BRONZE PLATING  
 CONTACT: BeCu, GOLD PLATING OVER WHITE BRONZE  
 RETAINING RING: BeCu, GOLD PLATING OVER WHITE BRONZE  
 CAP: BeCu, WHITE BRONZE PLATING  
 INNER FERRULE: BeCu, WHITE BRONZE PLATING  
 INSULATORS : PTFE

2. ELECTRICAL:

A. IMPEDANCE: 50 OHM  
 B. FREQUENCY RANGE: DC - 6 GHz  
 C. DIELECTRIC WITHSTANDING VOLTAGE: 500 VRMS, MIN.

3. MECHANICAL:

A. DURABILITY: 500 CYCLES MIN.  
 B. TEMPERATURE RANGE: -65° C TO 165° C  
 C. CRIMP WITH .105 INCH HEX

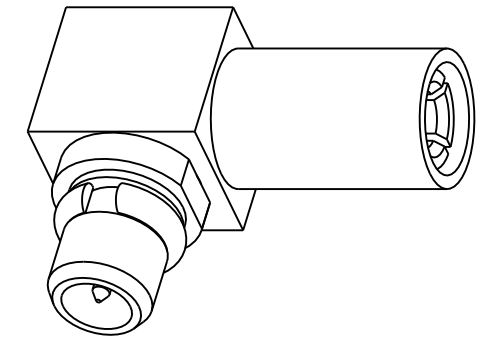
4. PACKAGING:

A. QUANTITY: BULK PACK 100  
 B. MARKING: BAG TO BE MARKED  
 "AMPHENOL, 908-NM43001 100 PIECES, AND DATE CODE"  
 AND "NON-MAGNETIC CONNECTORS"

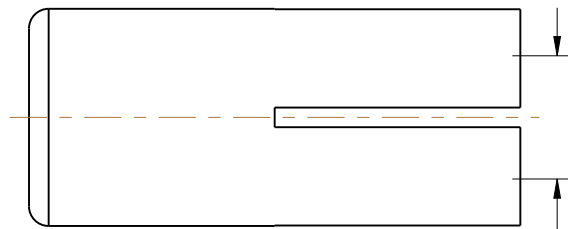
THIRD ANGLE PROJ.

REVISIONS

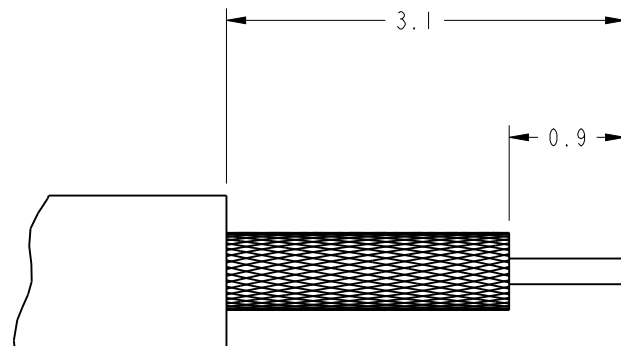
REV	DESCRIPTION	DATE	ECO	APPR
A	RELEASE TO MFG.	8/14/06	46215	KJC
B	SEE SHEET 2.	10/24/06	48260	KJC
C	SEE SHEET 1	4/8/10	48017	RR
D	7 ±.2 WAS 7.03 REF	9/20/10	48260	CPM
E	SEE SHEET 1	4/14/11	48339	JTS



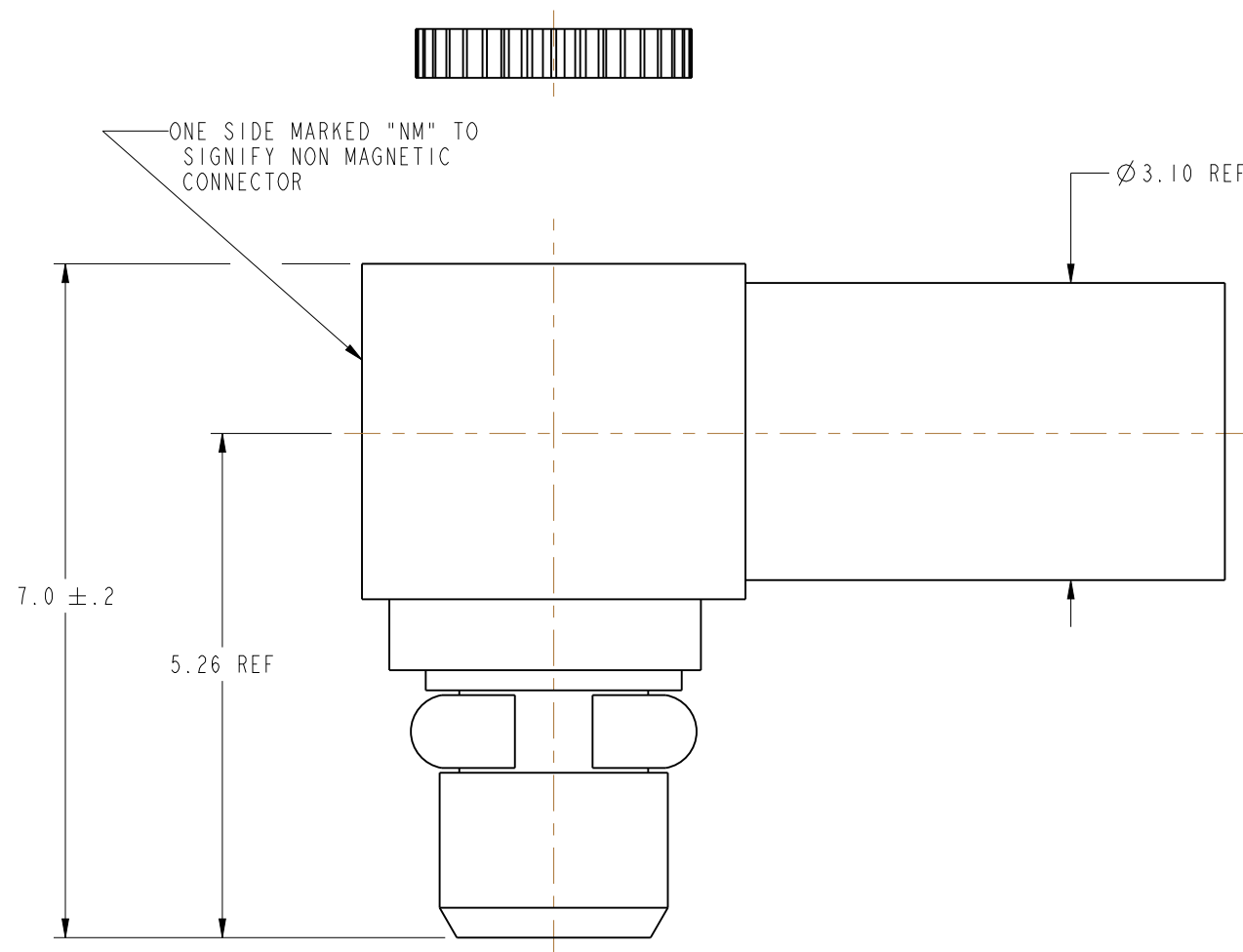
SCALE 6.000



Ø 1.25 REF



**RECOMMENDED CABLE STRIPPING DIMENSIONS**



**CUSTOMER OUTLINE DRAWING**

ALL OTHER SHEETS ARE FOR INTERNAL USE ONLY

UNLESS OTHERWISE SPECIFIED, DIMENSIONS ARE IN METRIC AND TOLERANCES ARE:  
 0.5 - 6mm ±0.1mm    6 - 30mm ±0.2mm    30 - 120mm ± 0.3mm    ANGLES ±1°

NOTICE - These drawings, specifications, or other data (1) are, and remain the property of Amphenol corp. (2) must be returned upon request; and (3) are confidential and not to be disclosed to any person other than those to whom they are given by Amphenol Corp. the furnishing of these drawings, specifications, or other data by Amphenol Corp., or to any other person to anyone for any purpose is not to be regarded by implication or otherwise in any manner licensing, granting rights to permitting such holder or any other sperson to manufacture, use or sell any product, process or design, patented or otherwise, that may in any way be related to or disclosed by said drawings, specifications, or other data.

MATERIAL	DRAWN K. CAPOZZI	DATE 26-Jul-06	TITLE ASSEMBLY MMCX R/A PLUG TO MICRO CABLE NON MAGNETIC		Amphenol RF Danbury CT USA, Tainan, Taiwan, Shenzhen, China www.amphenolrf.com
REFERENCE EAR # 1952    AND    908-43001	ENGINEER K. CAPOZZI	DATE 26-Jul-06	DRAWING NO.		
CONFIGURATION LEVEL:	APPROVED O. BARTHELMES	DATE 8/14/06	SCALE: 13.0:1.0	SHEET 2 OF 2	ITEM NO.
FINISH	CAD FILE		DWG SIZE B	CODE ID 74868	REV E
					908-NM43001