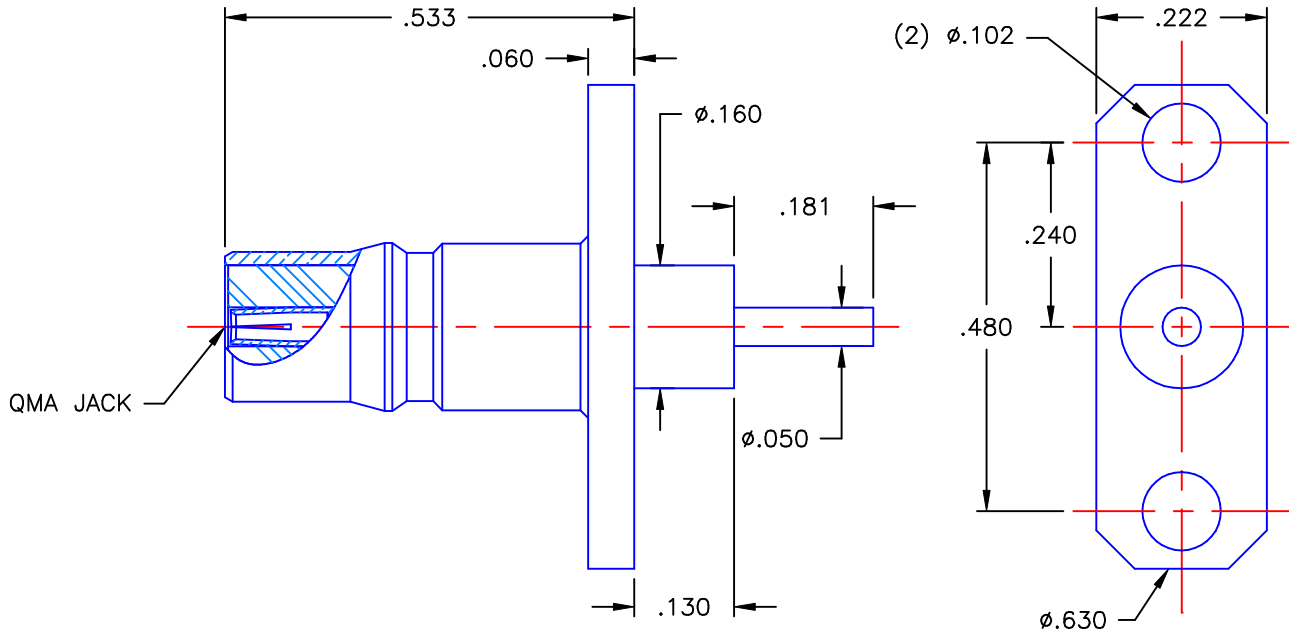


PROPRIETARY INFORMATION
 NOT TO BE RELEASED
 WITHOUT WRITTEN PERMISSION
 FROM AN AUTHORIZED
 REPRESENTATIVE OF
 APPLIED ENGINEERING PRODUCTS

REVISIONS			
REV	DESCRIPTION	DATE	APPROVED
A	INITIAL RELEASE	12/11/06	K.P.




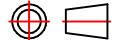
NOTES:

MATERIALS:

1. BODY = BRASS PER ASTM B16, ALLOY C36000, TEMPER H02 HALF HARD.
2. INSULATOR = VIRGIN WHITE TEFLON PER ASTM D1710, GRADE 1, TYPE I, CLASS "B".
3. CONTACT = BERYLLIUM COPPER PER ASTM B196, ALLOY C17300, TEMPER TD04.
HEAT TREATED, HARDNESS ROCKWELL C32 MIN.

FINISHES:

1. BODY = BBR 79μ INCH WHITE BRONZE.
2. CONTACT = 50μ INCH GOLD OVER 100μ INCH COPPER.

UNLESS OTHERWISE SPECIFIED DIMENSIONS ARE IN INCHES TOLERANCES ON		DWN: K.P.	DATE 12/11/06	 APPLIED ENGINEERING PRODUCTS 104 John W. Murphy Dr. New Haven, CT 06513
		CHKD: A.D.M.	DATE 12/11/06	
DECIMAL	ANGLE	APVD: J.M.	DATE 12/11/06	
		QMA STRAIGHT JACK (2) HOLE FLANGE RECEPTACLE		
REFERENCE:		MATERIALS & FINISHES: SEE NOTES		SIZE A FSCM NO. 19505 DWG NO. 9852-3111-001 SCALE 4:1
ORIGINATOR: K.P. DATE: 12/11/06				REV A THIRD ANGLE PROJECTION  SHEET 1 OF 1

9852-3111-001