

MATERIALS AND FINISHES:

**BODY: STAINLESS STEEL
PASSIVATE**

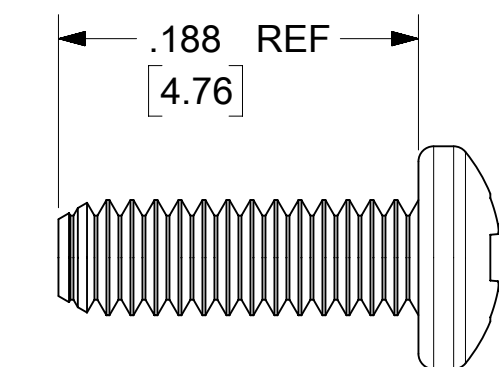
**CENTER CONTACT: BERYLLIUM COPPER
PLATED: GOLD (30µ-in MIN)
OVER NICKEL (100µ-in MIN)**

INSULATOR: PTFE

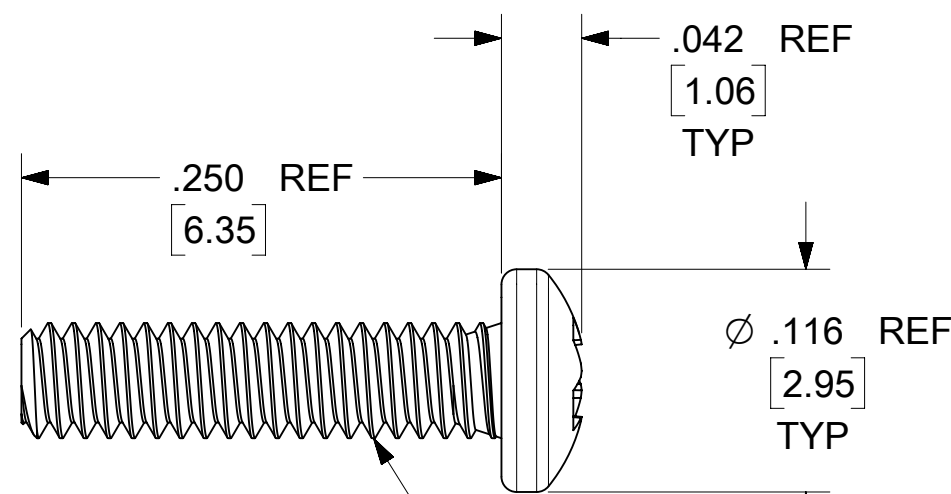
**SCREW: STEEL
PASSIVATE**

1.85MM JACK
INTERFACE

M7 X 0.75-6g

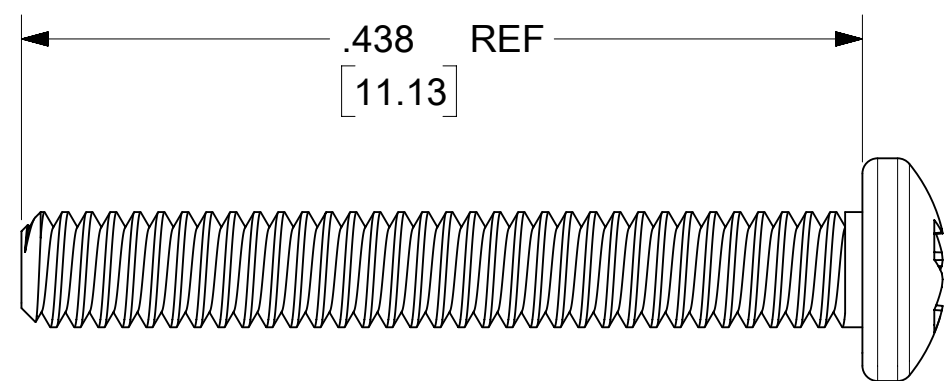


FOR -0001

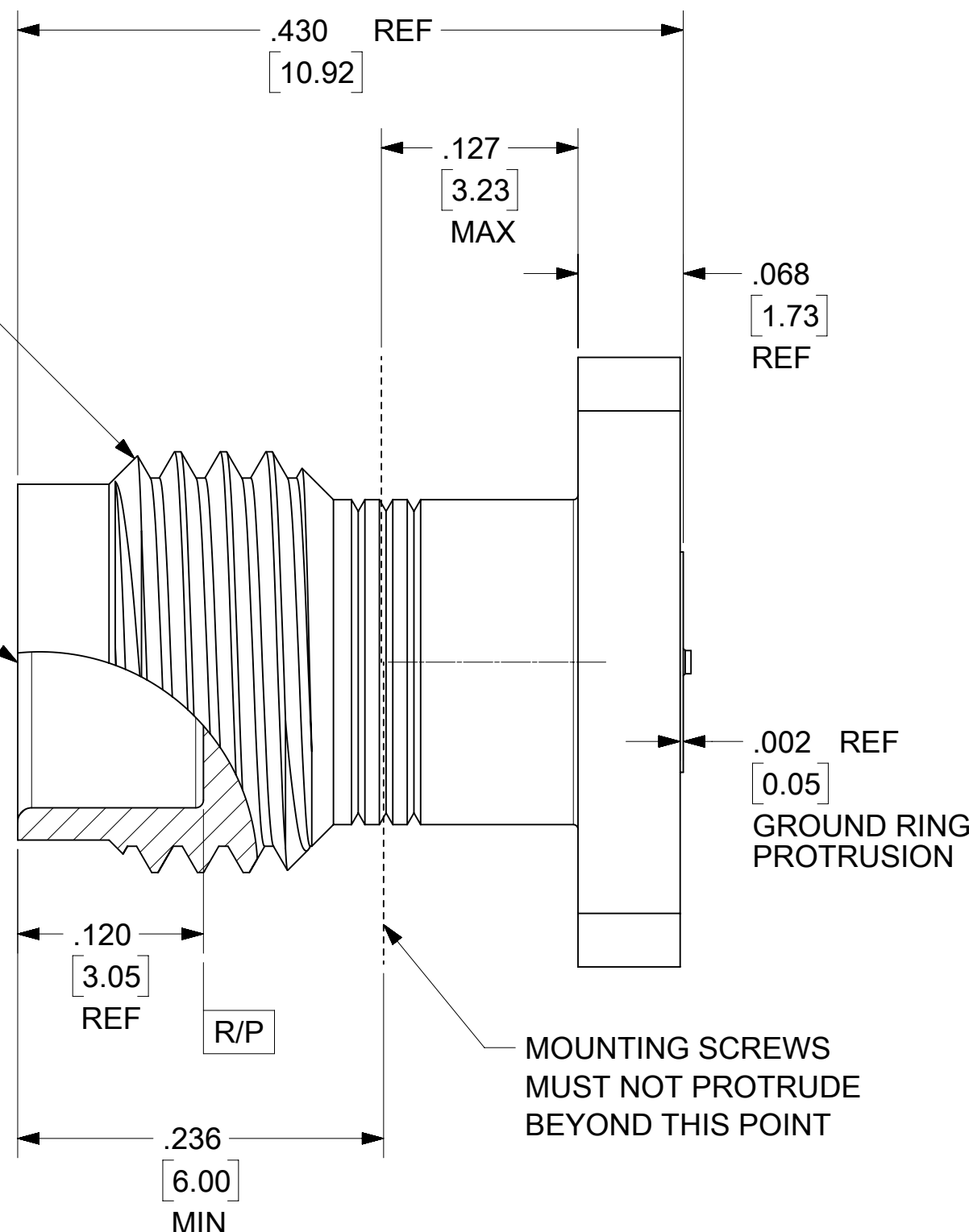


FOR -0002

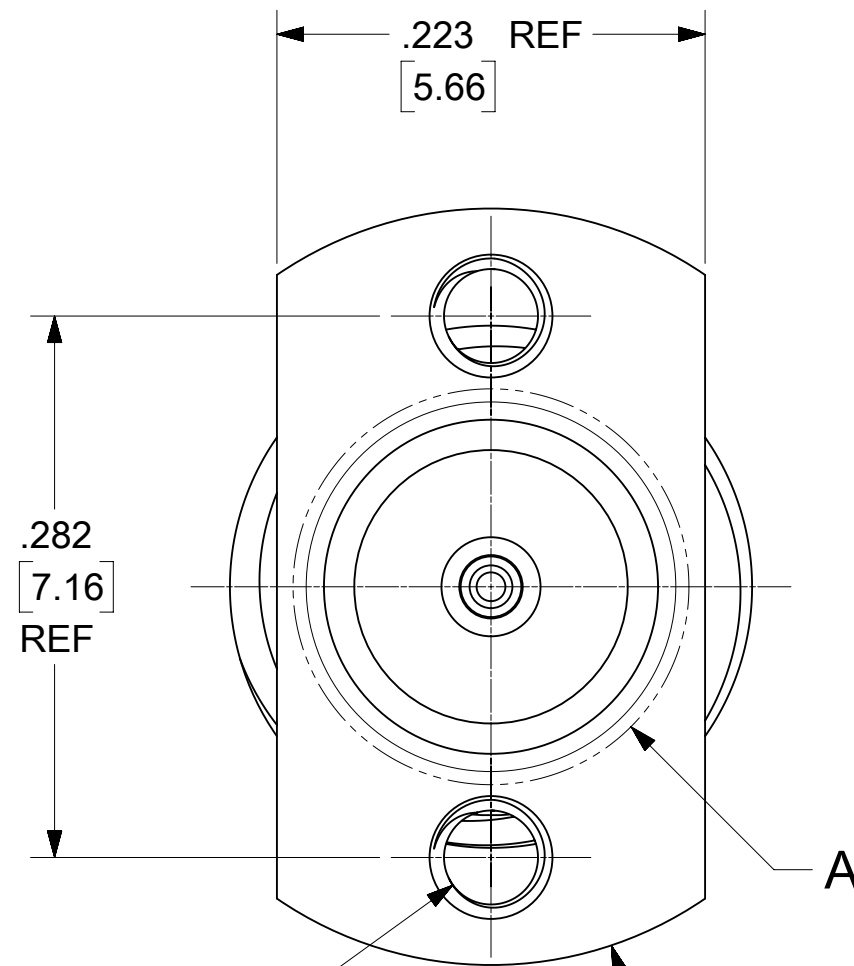
#0-80 UNF-2A THREAD TYP
TORQUE TO 0.5 - 0.8 IN-LBS



FOR -0003



MOUNTING SCREWS
MUST NOT PROTRUDE
BEYOND THIS POINT



#0-80 UNF-2B
THREAD 2 PLACES

Ø .016 MIN
[0.41]
SIGNAL PAD

Ø .142 MIN
[3.62]
GROUND RING
OUTER DIAMETER

Ø .047 MIN
[1.20]
GROUND RING
INNER DIAMETER

Ø .063 ^{+0.003}_{-0.000}
[1.60 ^{+0.08}_{-0.00}]
FINISHED HOLE SIZE
2 PLACES

.282 ±.002
[7.16 ±0.05]

Ø .0150 REF
[0.381]
CENTER
CONTACT

Ø .1424 REF
[3.617]
GROUNDING
RING OUTER
DIAMETER

Ø .0516 REF
[1.311]
GROUNDING
RING INNER
DIAMETER

GENERAL PCB LAYOUT RECOMMENDATIONS
FOR OPTIMIZED LAYOUTS CONTACT MOLEX ENGINEERING

DETAIL A

73157-0003	WITH TWO .438 [11.13] SCREWS	.252 [6.40] TO .352 [8.94]
73157-0002	WITH TWO .250 [6.35] SCREWS	.077 [1.96] TO .157 [3.99]
73157-0001	WITH TWO .188 [4.76] SCREWS	.022 [0.56] TO .100 [2.54]
73157-0000	NO HARDWARE	N/A
PART NO.	DESCRIPTION	PCB THICKNESS

RELEASE STATUS P1 RELEASE DATE 27.10.2017 21:19:04

QUALITY SYMBOLS	THIS DRAWING CONTAINS INFORMATION THAT IS PROPRIETARY TO MOLEX ELECTRONIC TECHNOLOGIES, LLC AND SHOULD NOT BE USED WITHOUT WRITTEN PERMISSION		DIMENSION UNITS		SCALE					
▽ = 0			mm		NTS				1.85MM JACK PCB FIELD REPLACEABLE 50 OHM EWR-5044, 1.85MM-JR/PCB	
▽ = 0	2017/10/25	2017/10/27	MM	INCH	DRWN BY	DATE		PRODUCT CUSTOMER DRAWING		
▽ = 0	SEE ECM	EC NO: 116458 DRWN: LIMEIER CHKD: AROBERTSON REV / APPR:	4 PLACES ±	±	JLEE02	2012/10/24				
▽ = 0			3 PLACES ±	± 0.01	CHK'D BY	DATE				
▽ = 0			2 PLACES ±	± 0.25	±	SSS	2012/10/24			
▽ = 0			1 PLACES ±	±	±	APPR BY	DATE			
▽ = 0	0 PLACES ±	±	±	JWIENER	2013/07/01		DRAWING SIZE C THIRD ANGLE PROJECTION			
□ = 0	ANGULAR TOL = 2.0		DRAFT WHERE APPLICABLE MUST REMAIN WITHIN DIMENSIONS							
■ = 0										
▽ = 0										

Mouser Electronics

Authorized Distributor

Click to View Pricing, Inventory, Delivery & Lifecycle Information:

[Molex:](#)

[73157-0003](#)