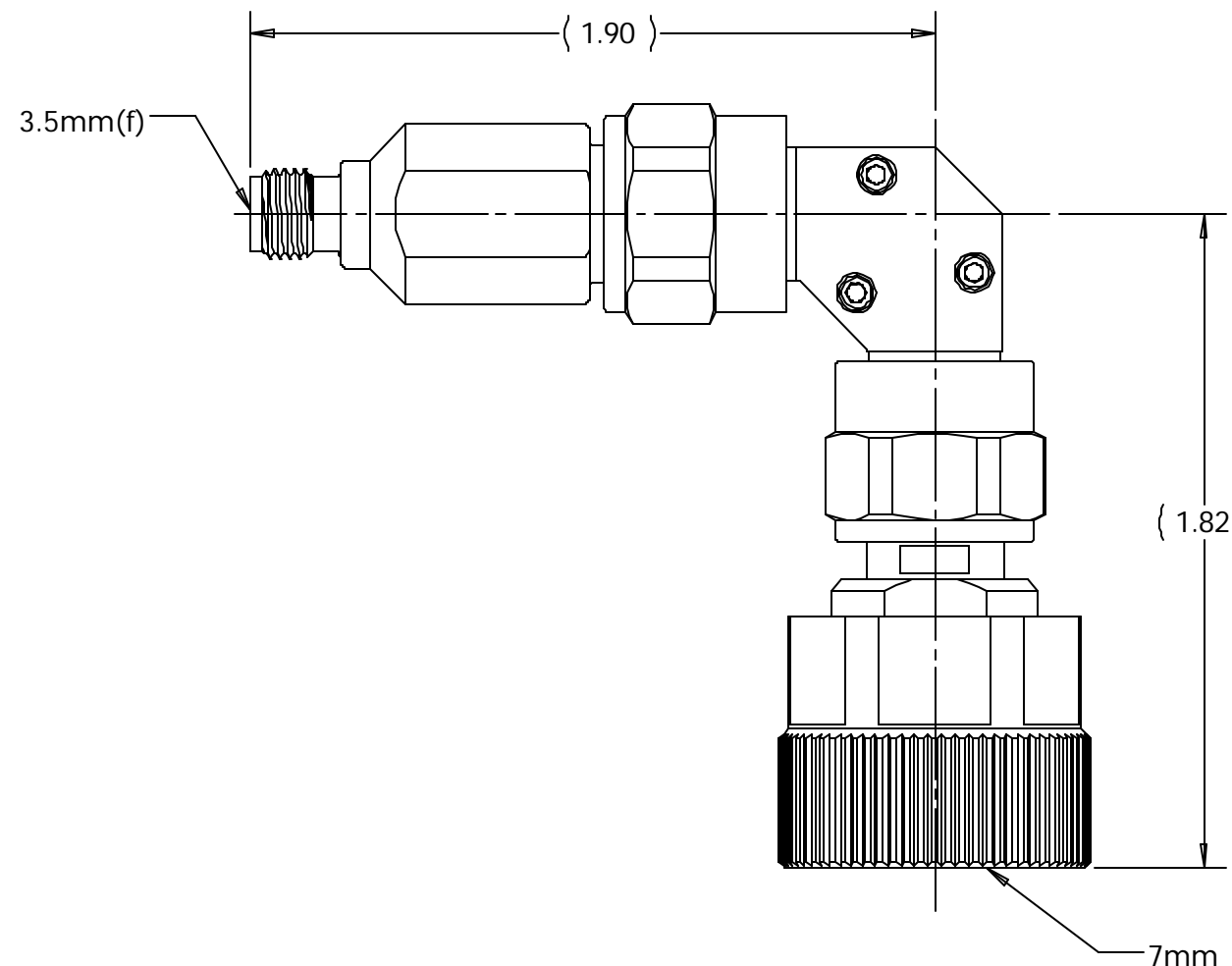


This document, including the design, configuration and mechanical features revealed herein are the sole, confidential and proprietary property of TRU Corporation. Reproduction or use thereof, in whole or part, is prohibited without the prior written consent of TRU Corporation.

REV.	DESCRIPTION	DATE	APPROVED
-	ORIGINAL ISSUE	09/21/09	AM



ENGINEERING DATA

ELECTRICAL

IMPEDANCE: 50 OHMS NOMINAL
 FREQUENCY RANGE: .05 to 18 GHz
 VSWR MAX: 1.30:1

MECHANICAL

3.5mm(f) INTERFACE PER IEEE 287
 7mm INTERFACE PER IEC 457-2

MATERIAL


CONTACTS: BERYLLIUM COPPER & BRASS
 3.5mm & 7mm BODIES: STAINLESS STEEL
 7mm COUPLING NUT: STAINLESS STEEL
 BEADS: TPX & NORYL

FINISH

7mm COUPLING NUT: PASSIVATED
 CONTACTS: GOLD PLATED
 3.5mm(f) & 7mm BODIES: GOLD PLATED

NOTES:

1. UNLESS OTHERWISE SPECIFIED; ALL DIMENSIONS ARE REFERENCE ONLY.

MATERIAL	DO NOT SCALE DRAWING	DRAWN MVC	DATE 09/17/09	 TRU CORPORATION 245 LYNNFIELD STREET, PEABODY, MA 01960 The Custom Interconnect Leader™
	UNLESS OTHERWISE SPECIFIED: DIMENSIONS ARE IN INCHES	ENG APPR. AM	DATE 09/21/09	
COMMENTS:	TOLERANCES: FRACTIONS: ±1/64 .XX ±.01 .XXX ±.005 ANGLES: ±1/2°	MFG APPR.	DATE	TITLE: CONNECTOR, COAXIAL, RF 3.5mm(f) to 7mm ADAPTER, RIGHT ANGLE
	MACHINED SURFACES: 63/√	OTHER APPR.	DATE	
surface area: sq inch	weight: lbs	THIRD ANGLE PROJECTION		SIZE B DWG. NO. TRU-10108-RA REV - CAGE CODE: 92180 SCALE: 2:1 SHEET 1 OF 1