

**LINEAR IC****QUAD COMPARATOR****MB4204****LOW POWER QUAD COMPARATOR**

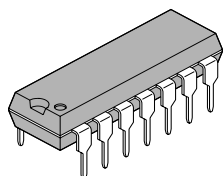
The Fujitsu MB4204 is a Quad Comparator which consists of four independent channels. The MB4204 is designed to operate from either a single power or dual power supplies over a wide range of voltages. The input characteristics is equivalent of current industry standard comparator. Even though operated from a single power supply, the MB4204 is suitably designed to compare multiple signals in parallel and to be operated with battery because its input common mode voltage range includes ground potential and it requires low power supply current.

The MB4204 can be high density mounted because it integrates 4 circuits on a chip in DIP/FPT-14-pin package.

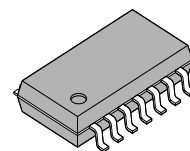
The MB4204 is pin compatible with LM339.

**■ FEATURES**

- Wide power supply voltage range: +2 to +36V
- Wide input common mode range: 0 to ( $V_{CC} - 1.5$ ) V
- Low power supply current: 0.8 mA typ.
- Low input offset voltage: 2 mV typ.
- Low input bias current: 25 nA typ.
- Open Collectors Output allow to wired-OR Connection
- Package
  - 14-pin Plastic DIP Package (Suffix: -P)
  - 14-pin Plastic FPT Package (Suffix: -PF)

**■ PACKAGES**

**PLASTIC PACKAGE**  
**DIP-14P-M02**



**PLASTIC PACKAGE**  
**FPT-14P-M04**

This device contains circuitry to protect the inputs against damage due to high static voltages or electric fields. However, it is advised that normal precautions be taken to avoid application of any voltage higher than maximum rated voltages to this high impedance circuit.

# MB4204

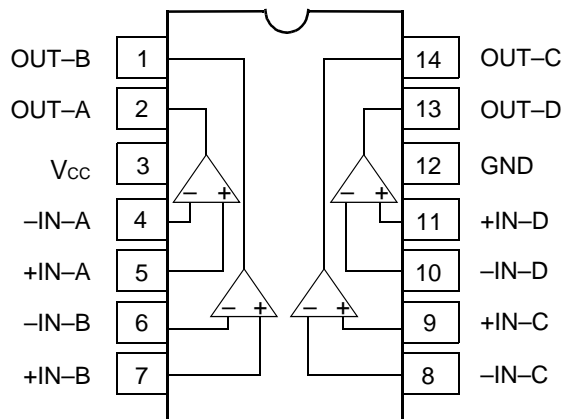
## ■ ABSOLUTE MAXIMUM RATINGS (see NOTE)

( $T_A = 25^\circ\text{C}$ )

Rating	Symbol	Value	Unit
Power Supply Voltage	$V_{CC}$	36	V
Power Dissipation	$P_D$	500	mW
Differential Input Voltage	$V_{ID}$	36	V
Common Mode Input Voltage	$V_I$	-0.3 to +36	V
Output Short Circuit Duration	—	Infinite	—
Operating Temperature	$T_A$	-20 to +75	$^\circ\text{C}$
Storage Temperature	$T_{STG}$	-55 to +125	$^\circ\text{C}$

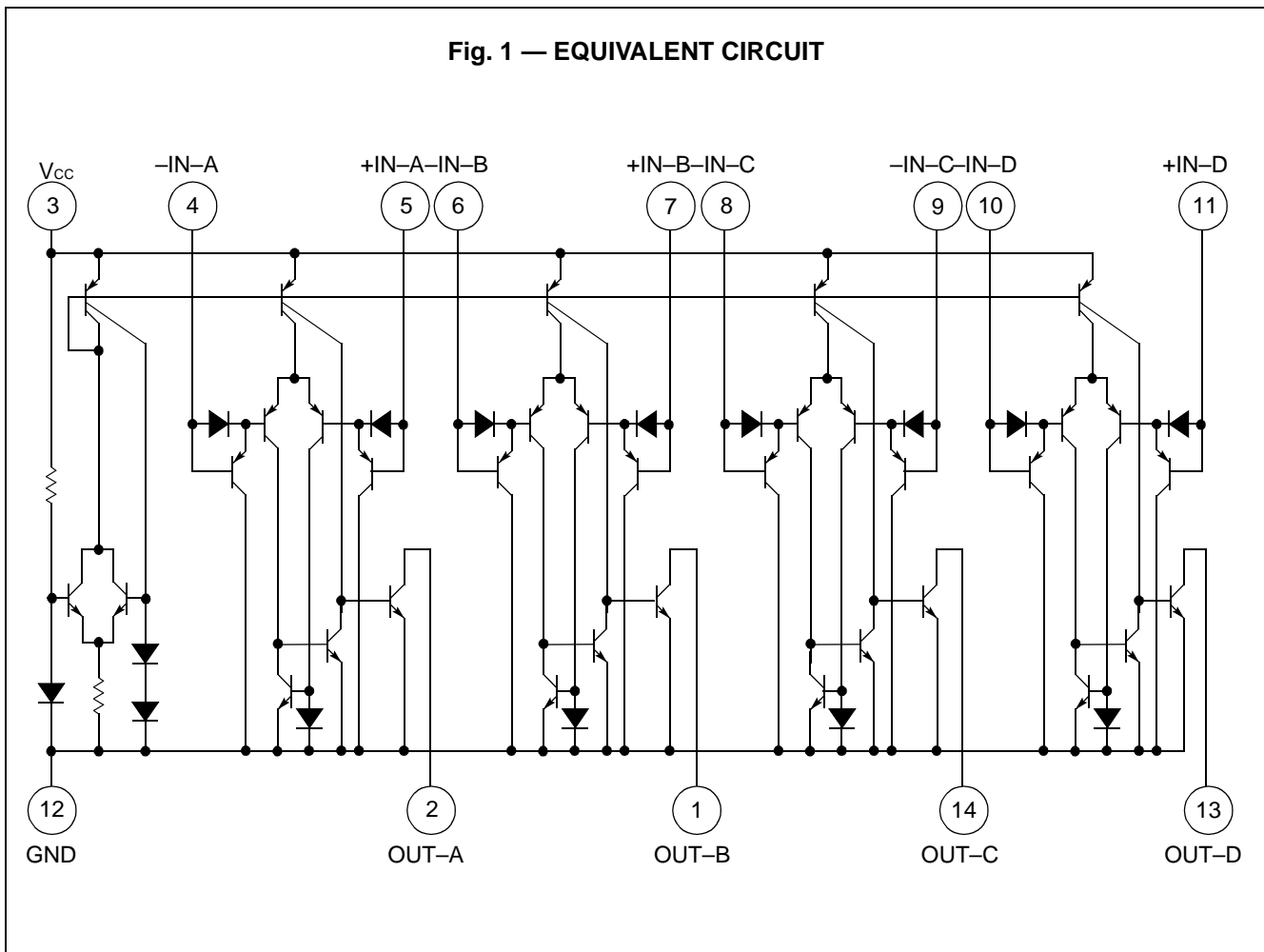
NOTE: Permanent device damage may occur if the above Absolute Maximum Ratings are exceeded. Functional operation should be restricted to the conditions as detailed in the operational sections of this data sheet. Exposure to absolute maximum rating conditions for extended periods may affect device reliability.

## ■ PIN ASSIGNMENT



(TOP VIEW)

Fig. 1 — EQUIVALENT CIRCUIT



## ■ ELECTRICAL CHARACTERISTICS

( $V_{CC} = +5\text{ V}$ ,  $T_A = 25^\circ\text{C}$ )

Parameter	Symbol	Condition	Value			Unit
			Min.	Typ.	Max.	
Input Offset Voltage	$V_{IO}$	$V_O = V_{REF} = 1.4\text{ V}$	—	2	5	mV
Input Offset Current	$I_{IO}$	—	—	5	50	nA
Input Bias Current	$I_I^{*1}$	—	—	25	250	nA
Input Common Mode Voltage	$V_{CM}$	—	0	—	$V_{CC} - 1.5$	V
Voltage Gain	$A_V$	$R_L = 15\text{ k}\Omega$	—	200	—	V/ mV
Transconductance	—	—	—	13	—	mho s
Large Signal Response Time	*2	$R_L = 5.1\text{ k}\Omega$ , $V_{RL} = 5\text{ V}$	—	300	—	ns
Response Time	*3	$R_L = 5.1\text{ k}\Omega$ , $V_{RL} = 5\text{ V}$	—	1.3	—	$\mu\text{s}$
Output Saturation Voltage	$V_{OL}$	$V_{IN(-)} = 1\text{ V}$ , $V_{IN(+)} = 0\text{ V}$ , $I_{SINK} = 3\text{ mA}$	—	250	400	mV
Output Sink Current	$I_{SINK}$	$V_{IN(-)} = 1\text{ V}$ , $V_{IN(+)} = 0\text{ V}$ , $V_O \leq 1.5\text{ V}$	6	16	—	mA
Output Leakage Current	$I_{LEAK}$	$V_{IN(+)} = 1\text{ V}$ , $V_{IN(-)} = 0\text{ V}$ , $V_O = 5\text{ V}$	—	0.1	—	nA
Output Leakage Current	$I_{LEAK}$	$V_{IN(+)} = 1\text{ V}$ , $V_{IN(-)} = 0\text{ V}$ , $V_O = 30\text{ V}$	—	—	1	$\mu\text{A}$
Power Supply Current	$I_{CC}$	$R_L = \infty$	—	0.8	2	mA

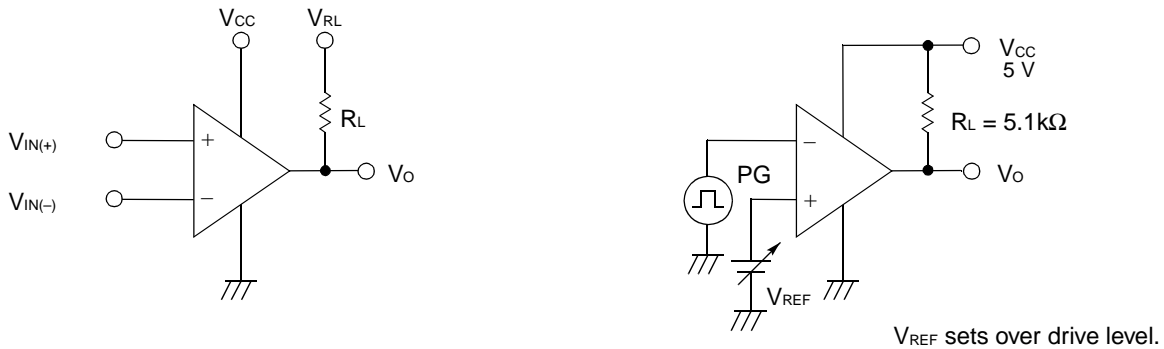
### Notes:

\*1: The direction of the input bias current flows from IC.

\*2:  $V_{IN} = \text{TTL Logic Swing}$ ,  $V_{REF} = 1.4\text{ V}$

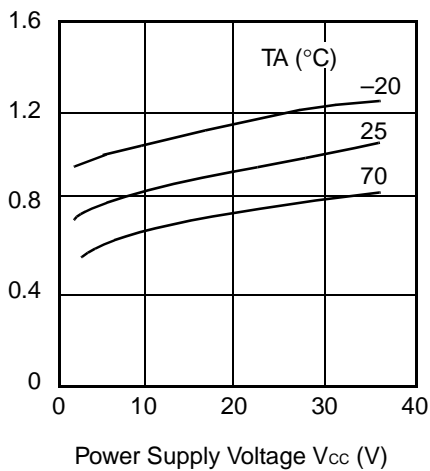
\*3:  $V_{IN} = 100\text{ mV}$ , Overdrive =  $5\text{ mV}$

**Fig. 2 — TEST CIRCUIT**

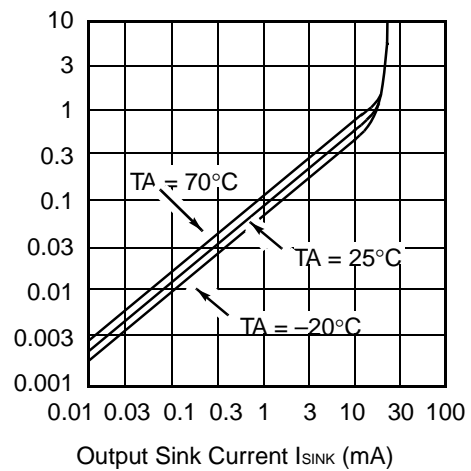


## ■ TYPICAL CHARACTERISTICS CURVES

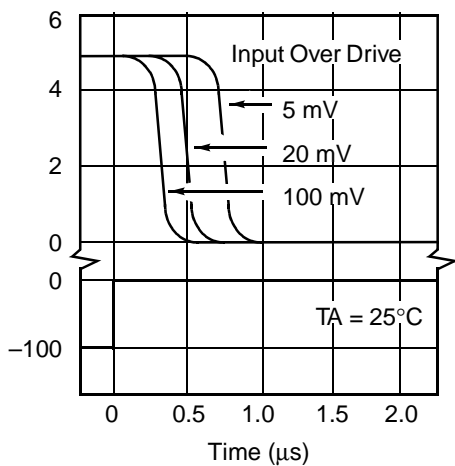
**Fig. 3 — Power Supply Current vs.**



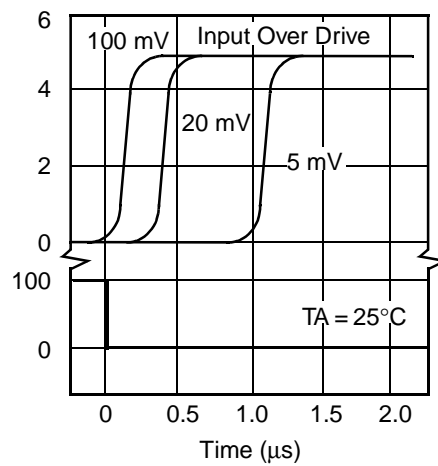
**Fig. 4 — Output Saturation Voltage vs.**



**Fig. 5 — Input/Output Voltage vs.**



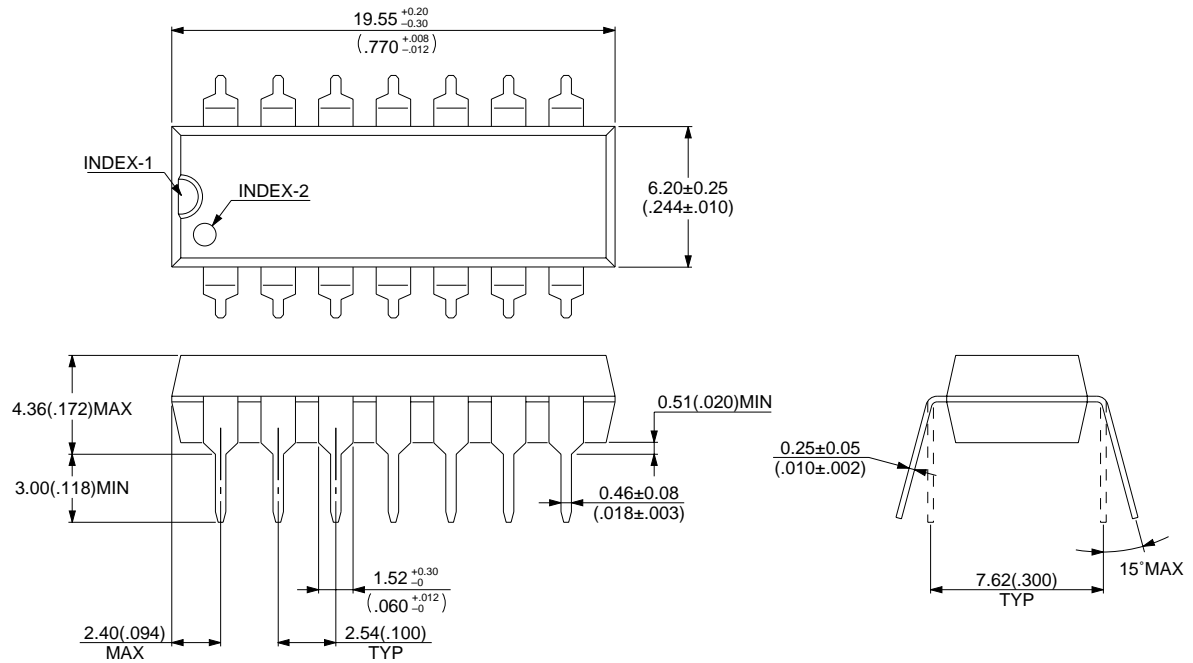
**Fig. 6 — Input/Output Voltage vs.**



# MB4204

## ■ PACKAGE DIMENSIONS

14 pin, Plastic DIP  
(DIP-14P-M02)



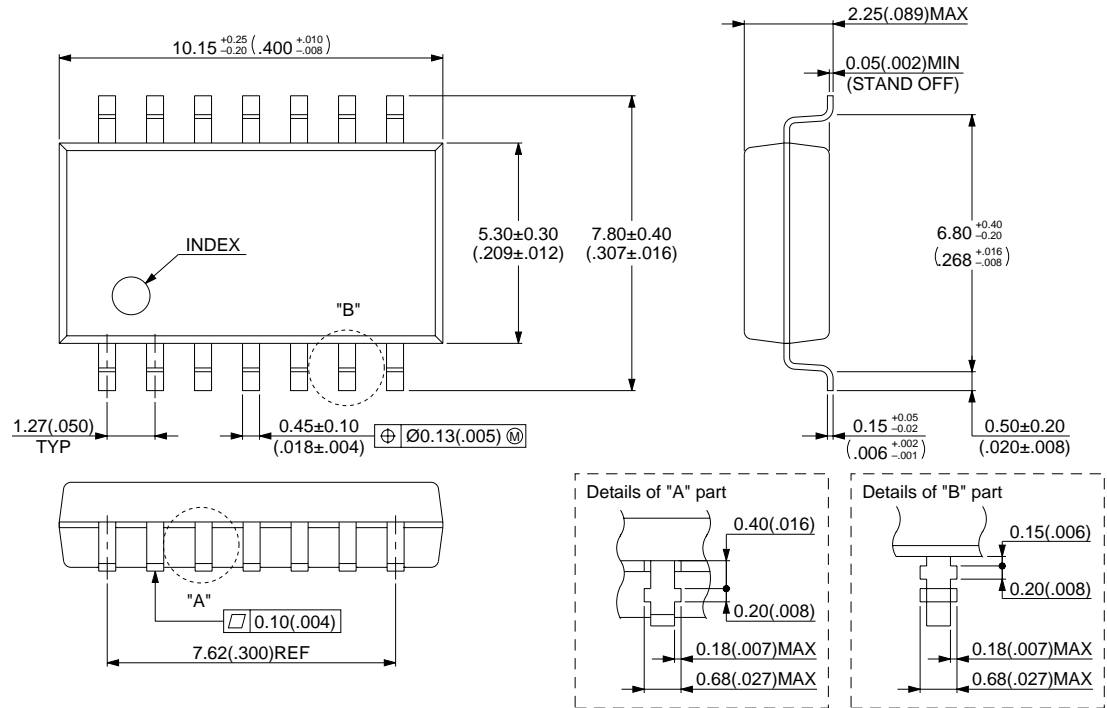
© 1994 FUJITSU LIMITED D14010S-4C-3

Dimensions in mm (inches).

(Continued)

(Continued)

## 14 pin, Plastic SOP (FPT-14P-M04)



© 1994 FUJITSU LIMITED F14010S-2C-4

Dimensions in mm (inches).

## FUJITSU LIMITED

All Rights Reserved.

The contents of this document are subject to change without notice. Customers are advised to consult with FUJITSU sales representatives before ordering.

The information and circuit diagrams in this document are presented as examples of semiconductor device applications, and are not intended to be incorporated in devices for actual use. Also, FUJITSU is unable to assume responsibility for infringement of any patent rights or other rights of third parties arising from the use of this information or circuit diagrams.

The products described in this document are designed, developed and manufactured as contemplated for general use, including without limitation, ordinary industrial use, general office use, personal use, and household use, but are not designed, developed and manufactured as contemplated (1) for use accompanying fatal risks or dangers that, unless extremely high safety is secured, could have a serious effect to the public, and could lead directly to death, personal injury, severe physical damage or other loss (i.e., nuclear reaction control in nuclear facility, aircraft flight control, air traffic control, mass transport control, medical life support system, missile launch control in weapon system), or (2) for use requiring extremely high reliability (i.e., submersible repeater and artificial satellite).

Please note that Fujitsu will not be liable against you and/or any third party for any claims or damages arising in connection with above-mentioned uses of the products.

Any semiconductor devices have an inherent chance of failure. You must protect against injury, damage or loss from such failures by incorporating safety design measures into your facility and equipment such as redundancy, fire protection, and prevention of over-current levels and other abnormal operating conditions.

If any products described in this document represent goods or technologies subject to certain restrictions on export under the Foreign Exchange and Foreign Trade Law of Japan, the prior authorization by Japanese government will be required for export of those products from Japan.

F9803

© FUJITSU LIMITED Printed in Japan