
HD74LV2G123A

Retriggerable Monostable Multivibrator

HITACHI

ADE-205-352 (Z)
1st. Edition
January 2001

Description

The HD74LV2G123A features output pulse duration control by three methods. In the first method, the \overline{A} input is low and the B input goes high. In the second method, the B input is high and the \overline{A} input goes low. In the third method, the \overline{A} input is low, the B input is high, and the clear (\overline{CLR}) input goes high. The basic pulse duration is programmed by selecting external resistance and capacitance values. The external timing capacitor must be connected between Cext and Rext/Cext (positive) and an external resistor connected between Rext/Cext and V_{CC} . To obtain variable pulse durations, connect an external variable resistance between Rext/Cext and V_{CC} . Once triggered, the basic pulse duration can be extended by retriggering the gated low level active (\overline{A}) or high level active (B) input. Pulse duration can be reduced by taking \overline{CLR} low.

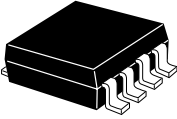
Low voltage and high speed operation is suitable for the battery powered products (e.g., notebook computers), and the low power consumption extends the battery life.

Features

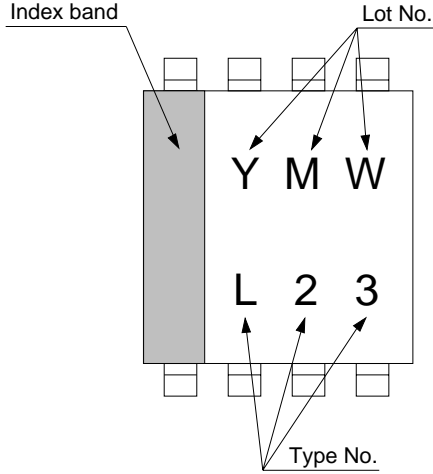
- The basic gate function is lined up as hitachi uni logic series.
- Supplied on emboss taping for high speed automatic mounting.
- Electrical characteristics equivalent to the HD74LV123A
Supply voltage range : 1.65 to 5.5 V
Operating temperature range : -40 to +85°C
- All inputs V_{IH} (Max.) = 5.5 V (@ V_{CC} = 0 V to 5.5 V)
All outputs V_O (Max.) = 5.5 V (@ V_{CC} = 0 V)
- Output current ± 6 mA (@ V_{CC} = 3.0 V to 3.6 V), ± 12 mA (@ V_{CC} = 4.5 V to 5.5 V)
- All the logical input has hysteresis voltage for the slow transition.

Outline and Article Indication

• HD74LV2G123A



SSOP-8



Y : Year code
(the last digit of year)
M : Month code
W : Week code

Function Table

Inputs			Output Q
$\overline{\text{CLR}}$	$\overline{\text{A}}$	B	
L	X	X	L
H	H	X	L
H	X	L	L
H	L	↑	⎓
H	↓	H	⎓
↑	L	H	⎓

H : High level

L : Low level

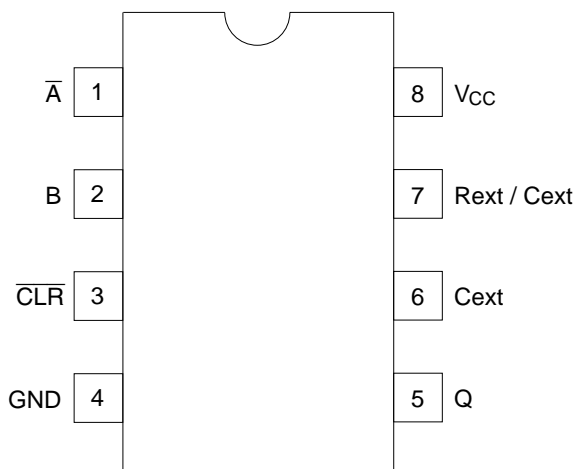
X : Immaterial

↑ : Low to high transition

↓ : High to low transition

⎓ : High level pulse

Pin Arrangement



(Top view)

Absolute Maximum Ratings

Item	Symbol	Ratings	Unit	Test Conditions
Supply voltage range	V_{CC}	-0.5 to 7.0	V	
Input voltage range ^{*1}	V_I	-0.5 to 7.0	V	
Output voltage range ^{*1,2}	V_O	-0.5 to $V_{CC} + 0.5$ -0.5 to 7.0	V	Output : H or L V_{CC} : OFF
Input clamp current	I_{IK}	-20	mA	$V_I < 0$
Output clamp current	I_{OK}	± 50	mA	$V_O < 0$ or $V_O > V_{CC}$
Continuous output current	I_O	± 25	mA	$V_O = 0$ to V_{CC}
Continuous current through V_{CC} or GND	I_{CC} or I_{GND}	± 50	mA	
Maximum power dissipation at $T_a = 25^\circ\text{C}$ (in still air) ^{*3}	P_T	200	mW	
Storage temperature	T_{stg}	-65 to 150	$^\circ\text{C}$	

Notes: The absolute maximum ratings are values which must not individually be exceeded, and furthermore no two of which may be realized at the same time.

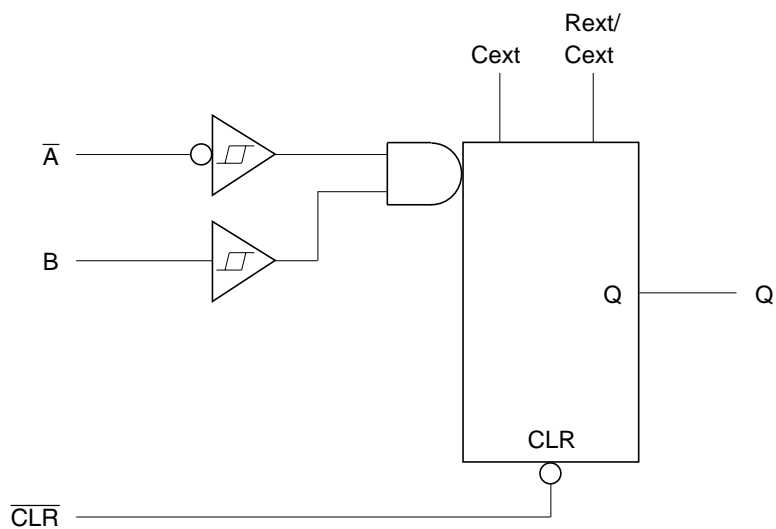
1. The input and output voltage ratings may be exceeded if the input and output clamp-current ratings are observed.
2. This value is limited to 5.5 V maximum.
3. The maximum package power dissipation was calculated using a junction temperature of 150 $^\circ\text{C}$.

Recommended Operating Conditions

Item	Symbol	Min	Typ	Max	Unit	Conditions
Supply voltage range	V_{CC}	1.65	—	5.5	V	
Input voltage range	V_I	0	—	5.5	V	
Output voltage range	V_O	0	—	V_{CC}	V	
Output current	I_{OH}	—	—	-1	mA	$V_{CC} = 1.65$ to 1.95 V
		—	—	-2		$V_{CC} = 2.3$ to 2.7 V
		—	—	-6		$V_{CC} = 3.0$ to 3.6 V
		—	—	-12		$V_{CC} = 4.5$ to 5.5 V
	I_{OL}	—	—	1		$V_{CC} = 1.65$ to 1.95 V
		—	—	2		$V_{CC} = 2.3$ to 2.7 V
		—	—	6		$V_{CC} = 3.0$ to 3.6 V
		—	—	12		$V_{CC} = 4.5$ to 5.5 V
Input transition rise or fall rate	$\Delta t / \Delta v$	0	—	300	ns / V	$V_{CC} = 1.65$ to 1.95 V
		0	—	200		$V_{CC} = 2.3$ to 2.7 V
		0	—	100		$V_{CC} = 3.0$ to 3.6 V
		0	—	20		$V_{CC} = 4.5$ to 5.5 V
External timing resistance	R_{ext}	5	—	—	k Ω	$V_{CC} = 1.65$ to 1.95 V
		1	—	—		$V_{CC} \geq 2.3$ V
External capacitance	C_{ext}	—	Unlimited	—	F	
Supply transition rise rate	$\Delta t / \Delta V_{CC}$	1	—	—	ms / V	
Operating free-air temperature	T_a	-40	—	85	$^{\circ}\text{C}$	

Note: Unused or floating inputs must be held high or low.

Logic Diagram



Electrical Characteristic

• $T_a = -40$ to 85°C

Item	Symbol	V_{CC} (V) *	Min	Typ	Max	Unit	Test condition
Input voltage	V_{IH}	1.65 to 1.95	$V_{CC} \times 0.75$	—	—	V	
		2.3 to 2.7	$V_{CC} \times 0.7$	—	—		
		3.0 to 3.6	$V_{CC} \times 0.7$	—	—		
		4.5 to 5.5	$V_{CC} \times 0.7$	—	—		
	V_{IL}	1.65 to 1.95	—	—	$V_{CC} \times 0.25$		
		2.3 to 2.7	—	—	$V_{CC} \times 0.3$		
		3.0 to 3.6	—	—	$V_{CC} \times 0.3$		
		4.5 to 5.5	—	—	$V_{CC} \times 0.3$		
Hysteresis voltage	V_H	1.8	—	0.25	—	V	$V_T^+ - V_T^-$
		2.5	—	0.30	—		
		3.3	—	0.35	—		
		5.0	—	0.45	—		
Output voltage	V_{OH}	Min to Max	$V_{CC} - 0.1$	—	—	V	$I_{OH} = -50 \mu\text{A}$
		1.65	1.4	—	—		$I_{OH} = -1 \text{ mA}$
		2.3	2.0	—	—		$I_{OH} = -2 \text{ mA}$
		3.0	2.48	—	—		$I_{OH} = -6 \text{ mA}$
		4.5	3.8	—	—		$I_{OH} = -12 \text{ mA}$
	V_{OL}	Min to Max	—	—	0.1		$I_{OL} = 50 \mu\text{A}$
		1.65	—	—	0.3		$I_{OL} = 1 \text{ mA}$
		2.3	—	—	0.4		$I_{OL} = 2 \text{ mA}$
		3.0	—	—	0.44		$I_{OL} = 6 \text{ mA}$
		4.5	—	—	0.55		$I_{OL} = 12 \text{ mA}$
Input current	I_{IN}	0 to 5.5	—	—	± 1	μA	$V_{IN} = 5.5 \text{ V}$ or GND
Input current Rext / Cext	I_{IN}	5.5	—	—	± 2.5	μA	$V_{IN} = V_{CC}$ or GND
Quiescent supply current	I_{CC}	5.5	—	—	10	μA	$V_{IN} = V_{CC}$ or GND, $I_O = 0$
Active state supply current	ΔI_{CC}	2.3	—	—	220	μA	$V_{IN} = V_{CC}$ or GND Rext / Cext = $0.5V_{CC}$
		3.0	—	—	280		
		4.5	—	—	650		
		5.5	—	—	975		
Output leakage current	I_{OFF}	0	—	—	5	μA	$V_O = 5.5 \text{ V}$
Input capacitance	C_{IN}	3.3	—	2.5	—	pF	$V_{IN} = V_{CC}$ or GND

Note: For conditions shown as Min or Max, use the appropriate values under recommended operating conditions.

Switching Characteristics

• $V_{CC} = 1.8 \pm 0.15 \text{ V}$

Item	Symbol	$T_a = 25^\circ\text{C}$			$T_a = -40 \text{ to } 85^\circ\text{C}$		Unit	Test Conditions	FROM (Input)	TO (Output)
		Min	Typ	Max	Min	Max				
Propagation delay time	t_{PLH}	—	22.5	67.0	1.0	72.0	ns	$C_L = 15 \text{ pF}$	\overline{A} or B	Q
	t_{PHL}	—	28.0	78.0	1.0	82.0		$C_L = 50 \text{ pF}$		
Enable time	t_{ZH}	—	16.0	48.5	1.0	54.0	ns	$C_L = 15 \text{ pF}$	\overline{CLR}	Q
	t_{ZL}	—	20.0	60.0	1.0	66.0		$C_L = 50 \text{ pF}$		
Disable time	t_{HZ}	—	21.5	64.0	1.0	69.5	ns	$C_L = 15 \text{ pF}$	\overline{CLR}	Q
	t_{LZ}	—	29.0	80.0	1.0	84.5		$C_L = 50 \text{ pF}$	(Trigger)	
Output pulse width	t_{wQ}	—	315	650	—	800	ns	$C_L = 50 \text{ pF}$, $C_{ext} = 28 \text{ pF}$, $R_{ext} = 5 \text{ k}\Omega$		
		90	100	110	90	110	μs	$C_L = 50 \text{ pF}$, $C_{ext} = 0.01 \text{ }\mu\text{F}$, $R_{ext} = 10 \text{ k}\Omega$		
		0.9	1.0	1.1	0.9	1.1	ms	$C_L = 50 \text{ pF}$, $C_{ext} = 0.1 \text{ }\mu\text{F}$, $R_{ext} = 10 \text{ k}\Omega$		
Pulse width	t_w	7.0	—	—	8.0	—	ns	\overline{A} , B or \overline{CLR}		
Retrigger time	t_{rr}	—	150	—	—	—	ns	\overline{A} or B ($R_{ext} = 5 \text{ k}\Omega$, $C_{ext} = 100 \text{ pF}$)		
		—	2.5	—	—	—	μs	\overline{A} or B ($R_{ext} = 5 \text{ k}\Omega$, $C_{ext} = 0.01 \text{ }\mu\text{F}$)		

Switching Characteristics (cont)

- $V_{CC} = 2.5 \pm 0.2$ V

Item	Symbol	$T_a = 25^\circ\text{C}$			$T_a = -40$ to 85°C		Unit	Test Conditions	FROM (Input)	TO (Output)
		Min	Typ	Max	Min	Max				
Propagation delay time	t_{PLH}	—	13.5	31.4	1.0	37.0	ns	$C_L = 15$ pF	\bar{A} or B	Q
	t_{PHL}	—	16.0	36.0	1.0	42.0		$C_L = 50$ pF		
Enable time	t_{ZH}	—	11.0	25.0	1.0	29.5	ns	$C_L = 15$ pF	\overline{CLR}	Q
	t_{ZL}	—	13.0	32.8	1.0	34.5		$C_L = 50$ pF		
Disable time	t_{HZ}	—	14.0	33.4	1.0	39.0	ns	$C_L = 15$ pF	\overline{CLR}	Q
	t_{LZ}	—	16.0	38.0	1.0	44.0		$C_L = 50$ pF	(Trigger)	
Output pulse width	t_{wQ}	—	170	260	—	320	ns	$C_L = 50$ pF, $C_{ext} = 28$ pF, $R_{ext} = 2$ k Ω		
		90	100	110	90	110	μ s	$C_L = 50$ pF, $C_{ext} = 0.01$ μ F, $R_{ext} = 10$ k Ω		
		0.9	1.0	1.1	0.9	1.1	ms	$C_L = 50$ pF, $C_{ext} = 0.1$ μ F, $R_{ext} = 10$ k Ω		
Pulse width	t_w	6.0	—	—	6.5	—	ns	\bar{A} , B or \overline{CLR}		
Retrigger time	t_{rr}	—	40	—	—	—	ns	\bar{A} or B ($R_{ext} = 1$ k Ω , $C_{ext} = 100$ pF)		
		—	1.5	—	—	—	μ s	\bar{A} or B ($R_{ext} = 1$ k Ω , $C_{ext} = 0.01$ μ F)		

Switching Characteristics (cont)

- $V_{CC} = 3.3 \pm 0.3 \text{ V}$

Item	Symbol	$T_a = 25^\circ\text{C}$			$T_a = -40 \text{ to } 85^\circ\text{C}$		Unit	Test Conditions	FROM (Input)	TO (Output)
		Min	Typ	Max	Min	Max				
Propagation delay time	t_{PLH}	—	9.7	20.6	1.0	24.0	ns	$C_L = 15 \text{ pF}$	\bar{A} or B	Q
	t_{PHL}	—	11.5	24.1	1.0	27.5		$C_L = 50 \text{ pF}$		
Enable time	t_{ZH}	—	8.0	15.8	1.0	18.5	ns	$C_L = 15 \text{ pF}$	$\overline{\text{CLR}}$	Q
	t_{ZL}	—	9.5	19.3	1.0	22.0		$C_L = 50 \text{ pF}$		
Disable time	t_{HZ}	—	9.9	22.4	1.0	26.0	ns	$C_L = 15 \text{ pF}$	$\overline{\text{CLR}}$	Q
	t_{LZ}	—	11.5	25.9	1.0	29.5		$C_L = 50 \text{ pF}$	(Trigger)	
Output pulse width	t_{wQ}	—	150	240	—	300	ns	$C_L = 50 \text{ pF}$, $C_{ext} = 28 \text{ pF}$, $R_{ext} = 2 \text{ k}\Omega$		
		90	100	110	90	110	μs	$C_L = 50 \text{ pF}$, $C_{ext} = 0.01 \text{ }\mu\text{F}$, $R_{ext} = 10 \text{ k}\Omega$		
		0.9	1.0	1.1	0.9	1.1	ms	$C_L = 50 \text{ pF}$, $C_{ext} = 0.1 \text{ }\mu\text{F}$, $R_{ext} = 10 \text{ k}\Omega$		
Pulse width	t_w	5.0	—	—	5.0	—	ns	\bar{A} , B or $\overline{\text{CLR}}$		
Retrigger time	t_{rr}	—	30	—	—	—	ns	\bar{A} or B ($R_{ext} = 1 \text{ k}\Omega$, $C_{ext} = 100 \text{ pF}$)		
		—	1.2	—	—	—	μs	\bar{A} or B ($R_{ext} = 1 \text{ k}\Omega$, $C_{ext} = 0.01 \text{ }\mu\text{F}$)		

Switching Characteristics (cont)

- $V_{CC} = 5.0 \pm 0.5$ V

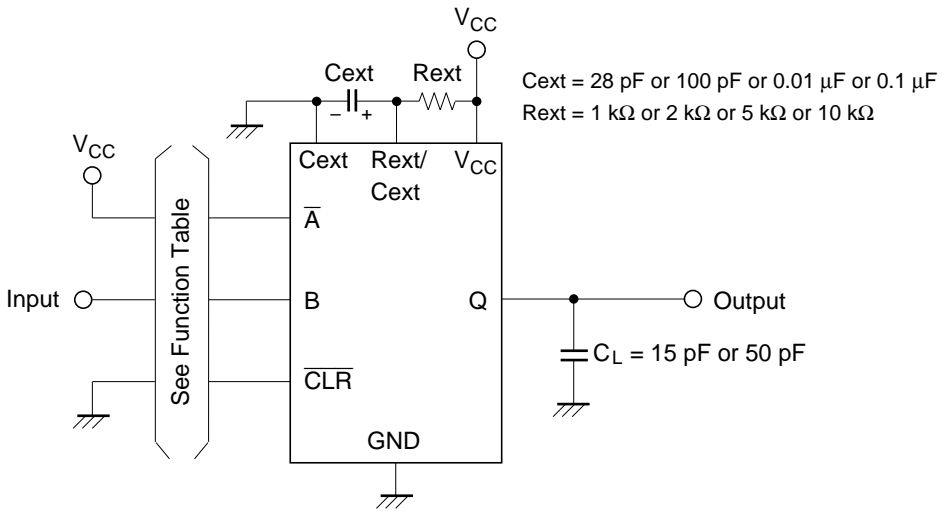
Item	Symbol	$T_a = 25^\circ\text{C}$			$T_a = -40$ to 85°C		Unit	Test Conditions	FROM (Input)	TO (Output)
		Min	Typ	Max	Min	Max				
Propagation delay time	t_{PLH}	—	7.3	12.0	1.0	14.0	ns	$C_L = 15$ pF	\bar{A} or B	Q
	t_{PHL}	—	8.5	14.0	1.0	16.0		$C_L = 50$ pF		
Enable time	t_{ZH}	—	5.9	9.4	1.0	11.0	ns	$C_L = 15$ pF	$\overline{\text{CLR}}$	Q
	t_{ZL}	—	7.5	11.4	1.0	13.0		$C_L = 50$ pF		
Disable time	t_{HZ}	—	7.3	12.9	1.0	15.0	ns	$C_L = 15$ pF	$\overline{\text{CLR}}$	Q
	t_{LZ}	—	8.7	14.9	1.0	17.0		$C_L = 50$ pF	(Trigger)	
Output pulse width	t_{wQ}	—	140	200	—	240	ns	$C_L = 50$ pF, $C_{ext} = 28$ pF, $R_{ext} = 2$ k Ω		
		90	100	110	90	110	μs	$C_L = 50$ pF, $C_{ext} = 0.01$ μF , $R_{ext} = 10$ k Ω		
		0.9	1.0	1.1	0.9	1.1	ms	$C_L = 50$ pF, $C_{ext} = 0.1$ μF , $R_{ext} = 10$ k Ω		
Pulse width	t_w	5.0	—	—	5.0	—	ns	\bar{A} , B or $\overline{\text{CLR}}$		
Retrigger time	t_{rr}	—	20	—	—	—	ns	\bar{A} or B ($R_{ext} = 1$ k Ω , $C_{ext} = 100$ pF)		
		—	0.95	—	—	—	μs	\bar{A} or B ($R_{ext} = 1$ k Ω , $C_{ext} = 0.01$ μF)		

Operating Characteristics

- $C_L = 50$ pF

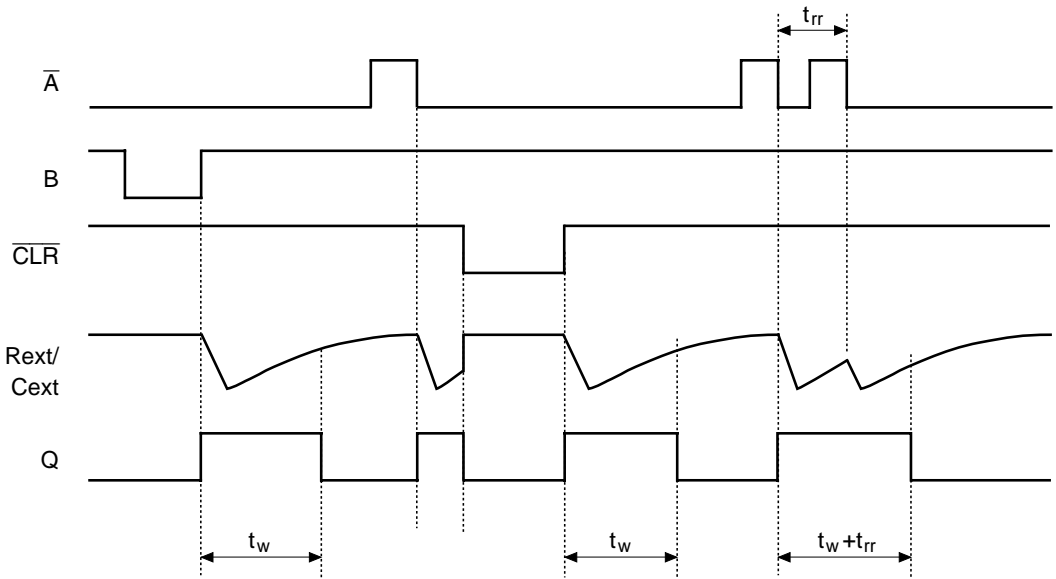
Item	Symbol	V_{CC} (V)	$T_a = 25^\circ\text{C}$			Unit	Test Conditions
			Min	Typ	Max		
Power dissipation capacitance	C_{PD}	3.3	—	28.0	—	pF	$f = 10$ MHz
		5.0	—	31.0	—		

Test Circuit



Note : C_L includes the probe and jig capacitance.

Timing Diagram



Caution in use

In order to prevent any malfunctions due to noise, connect a high frequency performance capacitor between V_{cc} and GND, and keep the wiring between the External components and Cext, Rext/Cext pins as short as possible.

Large values of Cext may cause problems when powering down the HD74LV2G123A because of the amount of energy stored in the capacitor. When a system containing this device is powered down, the capacitor may discharge from V_{cc} through the protection diodes at pin 7 pin.

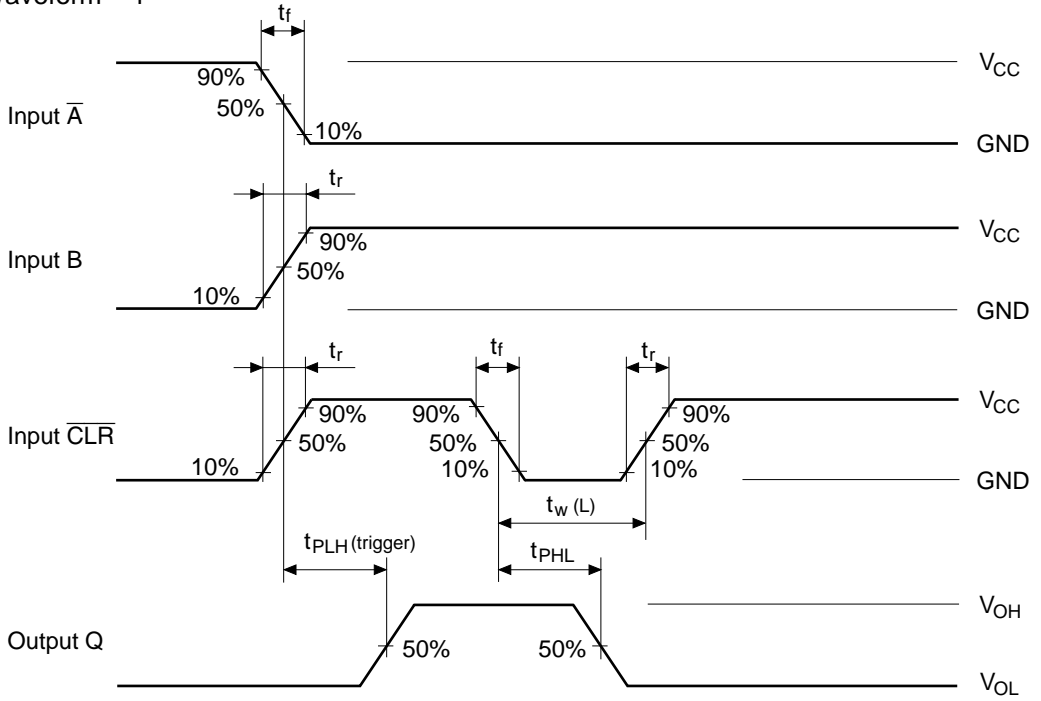
Current through the input protection diodes must be limited to 20 mA; therefore, the turn-off time of the V_{cc} power supply must not be faster than $t = V_{cc} \cdot C_{ext} / (20 \text{ mA})$. For example, if $V_{cc} = 5 \text{ V}$ and $C_{ext} = 22 \mu\text{F}$, the V_{cc} supply must turn off no faster than $t = (5 \text{ V}) \cdot (22 \mu\text{F}) / 20 \text{ mA} = 5.5 \text{ ms}$. This is usually not a problem because power supplies are heavily filtered and cannot discharge at this rate.

When a more rapid decrease of V_{cc} to zero volts occurs, the HD74LV2G123A may sustain damage.

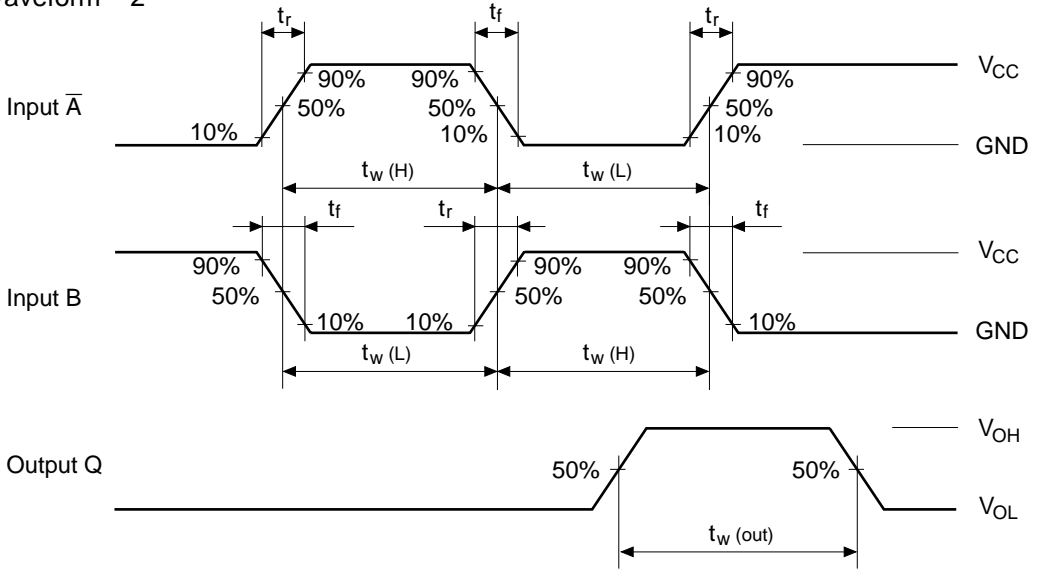
To avoid this possibility, use an external clamping diode.

The input pins for unused circuit should be used under conditions to fix the outputs to avoid malfunction caused by noises. Also, it's recommended that Rext / Cext terminals are open and external parts are not connected to.

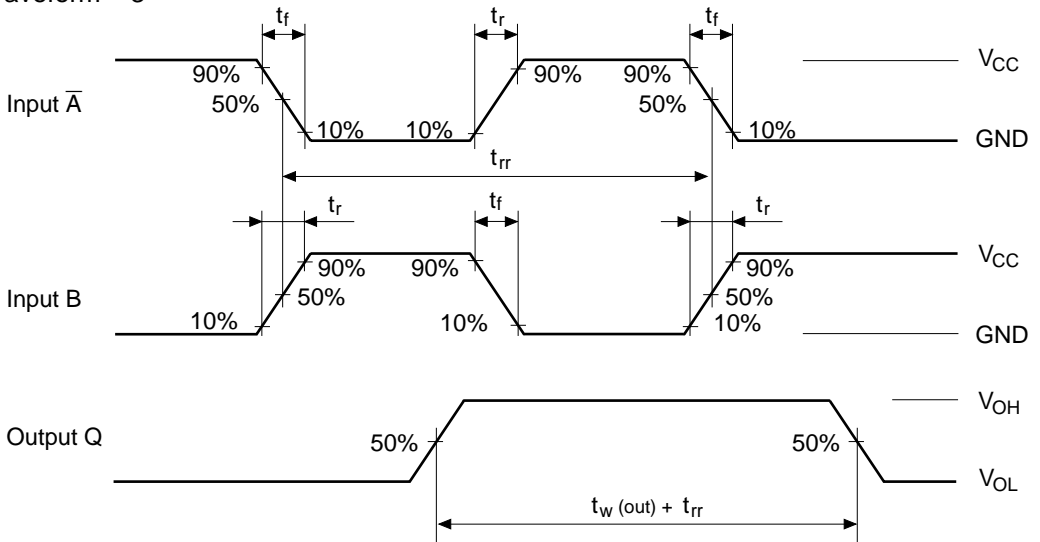
• Waveform – 1



• Waveform – 2

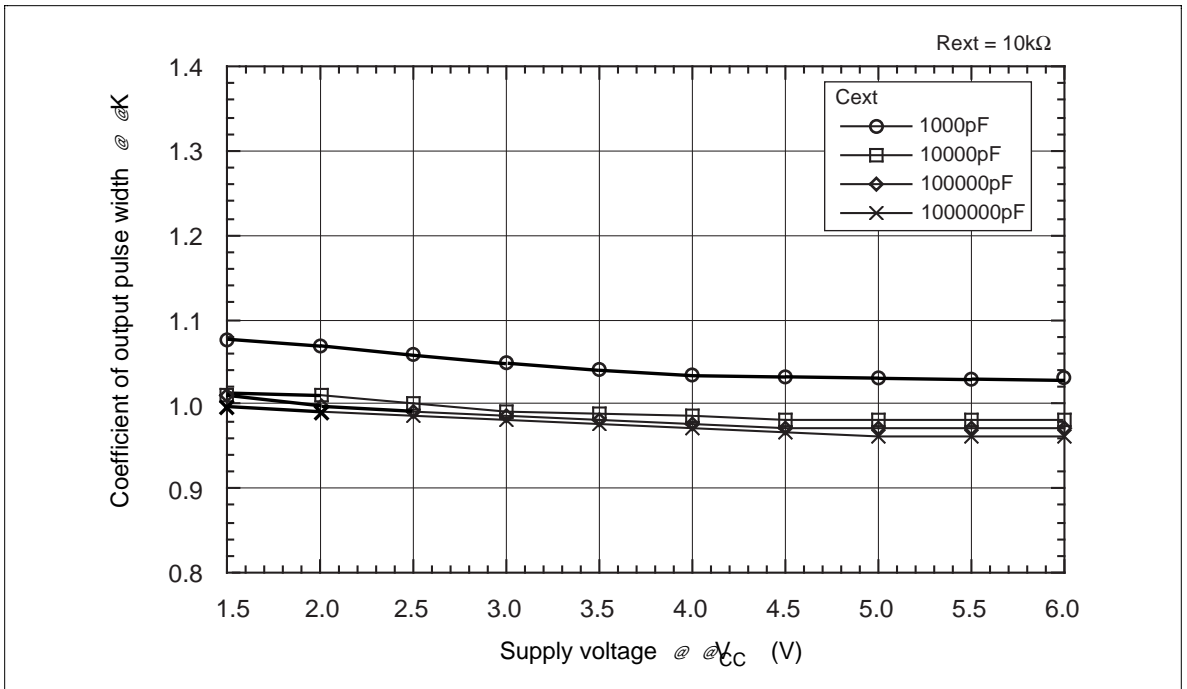
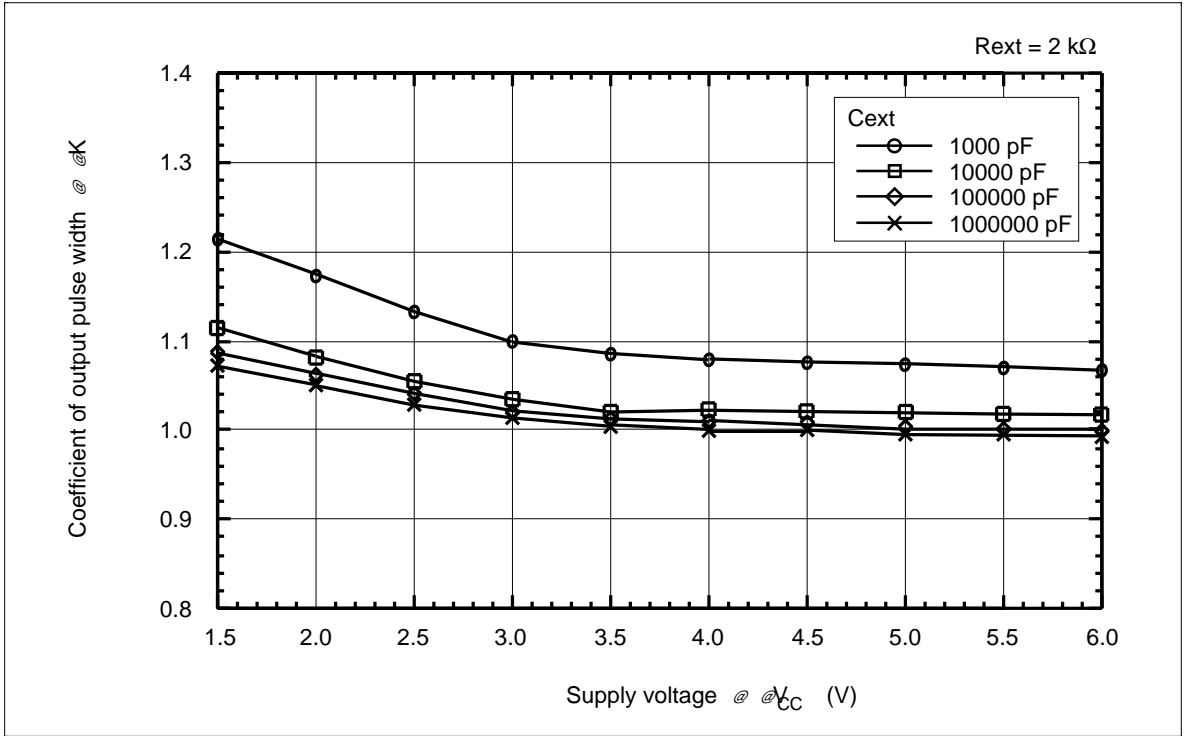


• Waveform – 3



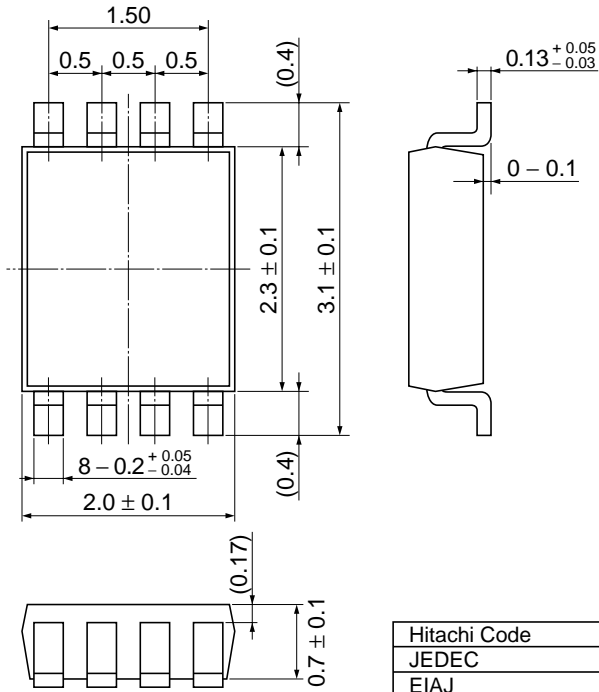
- Notes: 1. Input waveform: $PRR \leq 1 \text{ MHz}$, $Z_o = 50 \Omega$, $t_r \leq 3 \text{ ns}$, $t_f \leq 3 \text{ ns}$
 2. The output are measured one at a time with one transition per measurement.

Application Data



Package Dimensions

Unit : mm



Hitachi Code	TTP-8DB
JEDEC	—
EIAJ	—
Mass (reference value)	—

Cautions

1. Hitachi neither warrants nor grants licenses of any rights of Hitachi's or any third party's patent, copyright, trademark, or other intellectual property rights for information contained in this document. Hitachi bears no responsibility for problems that may arise with third party's rights, including intellectual property rights, in connection with use of the information contained in this document.
2. Products and product specifications may be subject to change without notice. Confirm that you have received the latest product standards or specifications before final design, purchase or use.
3. Hitachi makes every attempt to ensure that its products are of high quality and reliability. However, contact Hitachi's sales office before using the product in an application that demands especially high quality and reliability or where its failure or malfunction may directly threaten human life or cause risk of bodily injury, such as aerospace, aeronautics, nuclear power, combustion control, transportation, traffic, safety equipment or medical equipment for life support.
4. Design your application so that the product is used within the ranges guaranteed by Hitachi particularly for maximum rating, operating supply voltage range, heat radiation characteristics, installation conditions and other characteristics. Hitachi bears no responsibility for failure or damage when used beyond the guaranteed ranges. Even within the guaranteed ranges, consider normally foreseeable failure rates or failure modes in semiconductor devices and employ systemic measures such as fail-safes, so that the equipment incorporating Hitachi product does not cause bodily injury, fire or other consequential damage due to operation of the Hitachi product.
5. This product is not designed to be radiation resistant.
6. No one is permitted to reproduce or duplicate, in any form, the whole or part of this document without written approval from Hitachi.
7. Contact Hitachi's sales office for any questions regarding this document or Hitachi semiconductor products.

HITACHI

Hitachi, Ltd.

Semiconductor & Integrated Circuits.
Nippon Bldg., 2-6-2, Ohte-machi, Chiyoda-ku, Tokyo 100-0004, Japan
Tel: Tokyo (03) 3270-2111 Fax: (03) 3270-5109

URL	North America	: http://semiconductor.hitachi.com/
	Europe	: http://www.hitachi-eu.com/hel/ecg
	Asia	: http://sicapac.hitachi-asia.com
	Japan	: http://www.hitachi.co.jp/Sicd/indx.htm

For further information write to:

Hitachi Semiconductor
(America) Inc.
179 East Tasman Drive,
San Jose, CA 95134
Tel: <1>(408) 433-1990
Fax: <1>(408) 433-0223

Hitachi Europe GmbH
Electronic Components Group
Dornacher StraÙe 3
D-85622 Feldkirchen, Munich
Germany
Tel: <49> (89) 9 9180-0
Fax: <49> (89) 9 29 30 00

Hitachi Europe Ltd.
Electronic Components Group.
Whitebrook Park
Lower Cookham Road
Maidenhead
Berkshire SL6 8YA, United Kingdom
Tel: <44> (1628) 585000
Fax: <44> (1628) 585160

Hitachi Asia Ltd.
Hitachi Tower
16 Collyer Quay #20-00,
Singapore 049318
Tel: <65>-538-6533/538-8577
Fax : <65>-538-6933/538-3877
URL : <http://www.hitachi.com.sg>

Hitachi Asia Ltd.
(Taipei Branch Office)
4/F, No. 167, Tun Hwa North Road,
Hung-Kuo Building,
Taipei (105), Taiwan
Tel: <886>-(2)-2718-3666
Fax : <886>-(2)-2718-8180
Telex : 23222 HAS-TP
URL : <http://www.hitachi.com.tw>

Hitachi Asia (Hong Kong) Ltd.
Group III (Electronic Components)
7/F., North Tower,
World Finance Centre,
Harbour City, Canton Road
Tsim Sha Tsui, Kowloon,
Hong Kong
Tel : <852>-(2)-735-9218
Fax : <852>-(2)-730-0281
URL : <http://www.hitachi.com.hk>

Copyright © Hitachi, Ltd., 2000. All rights reserved. Printed in Japan.
Colophon 2.0