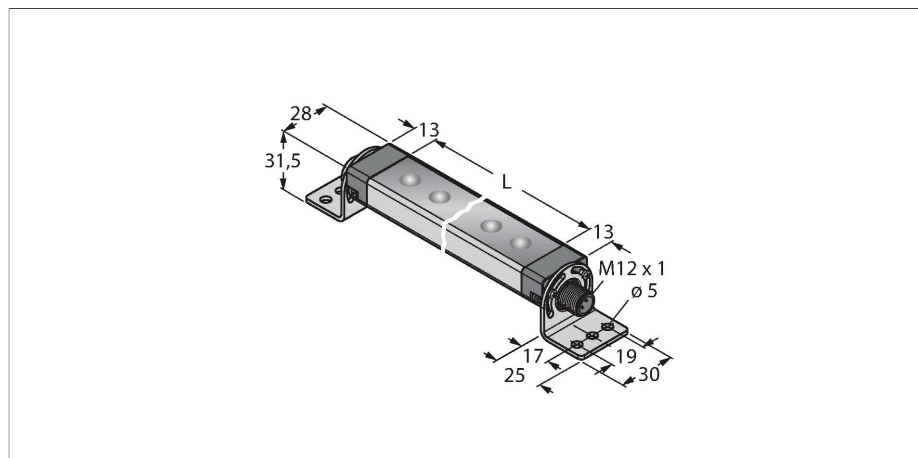


WLS28-2XWW850DSPWMQ

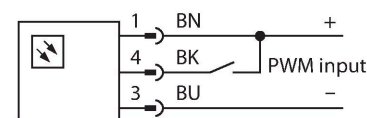
Work Light – Linear Light



Features

- Light beam: 850mm
- Operating voltage: 12...30 VDC
- Protection class: IP67 / IP69K
- Color: White
- M12 x 1 male, straight, 4-pin
- Dimmable via PWM input
- SMBWLS28RA mounting bracket included in delivery

Wiring diagram

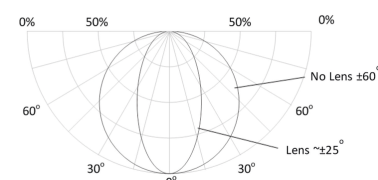


Technical data

Type	WLS28-2XWW850DSPWMQ
ID	3801852
Signal and display data	
Purpose	LED work light
Function	Linear light
Light type	White
Color temperature	2900...+3200 K
Luminous flux lumen	1950 lm
Aperture angle degree	60 °
Beam angle	wide beam 40-80°
LED service life (L70)	50000 h
Dimmable	Two-stage
Electrical data	
Operating voltage	12...30 VDC
DC rated operational current	≤ 2130 mA
Input power	25.56 W
Mechanical data	
Cascadable	No
Design	Rectangular, WLS28-2
Dimensions	890 x 28 x 21 mm
Housing material	Metal, AL
Window material	Polycarbonate, diffuse
Electrical connection	Connector, M12 × 1
Ambient temperature	-25...+70 °C
Storage temperature	-40...+70 °C
Relative humidity	0...90 %

Functional principle

The energy-efficient LED work lights are ideally suited for industrial applications. The color temperature is between 6,000 and 7,100 Kelvin (cool white). Depending on the model, the luminous flux is 325 or 2600 lumen. Some work lights are switched on/off via supply power (10...30 VDC) and some types by means of a button directly at the LED lamp. In addition, the LED can be dimmed to 50% of its light output by activating a high signal on PIN 4, or for the variants with a switch by means of a further switch position. On some models the light output is continuously dimmable via a PWM signal on PIN 4. Cascadable variants are also available. Variants with a clear or diffuse plastic windows, as well as with an aperture angle of 25°.



Technical data

Protection class IP67
IP69

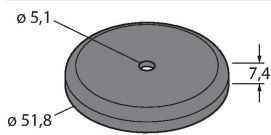
Tests/approvals

Approvals CE, UL

Accessories

SMBWLSMAG

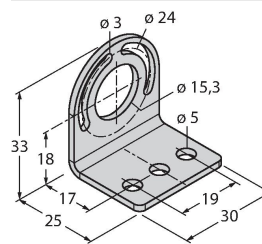
3019574



Magnetic mounting bracket for mounting on metallic surfaces, for mounting WLS28 work lights

SMBWLS28RA

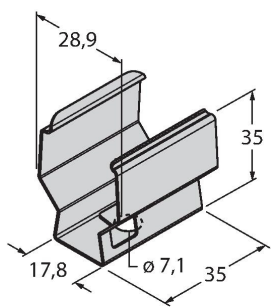
3015764



Mounting bracket, angled, metal, for WLS28 work lights, 5 mm drill holes, screw set included

SMBWLS28SP

3088063



Snap bracket for mounting WLS28 work lights

Accessories

Dimension drawing	Type	ID	
	RKC4.4T-2/TEL	6625013	Connection cable, female M12, straight, 4-pin, cable length: 2 m, sheath material: PVC, black; cULus approval; other cable lengths and qualities available, see www.turck.com
	WKC4.4T-2/TEL	6625025	Connection cable, female M12, angled, 4-pin, cable length: 2 m, sheath material: PVC, black; cULus approval; other cable lengths and qualities available, see www.turck.com