



| | |
|-----------------------|--|
| VSWR @ 6GHz | 1.3 Max. |
| Nominal Impedance | 50 ohm |
| Temperature Range | -40C to 90C |
| Voltage Rating | 60 V AC (rms) |
| Contact Resistance | 10m ohm Max (Gnd) 20m ohm Max (Sig) |
| Withstanding Voltage | AC200Vrms |
| Insulation Resistance | 500m ohm Min/DC 100V |

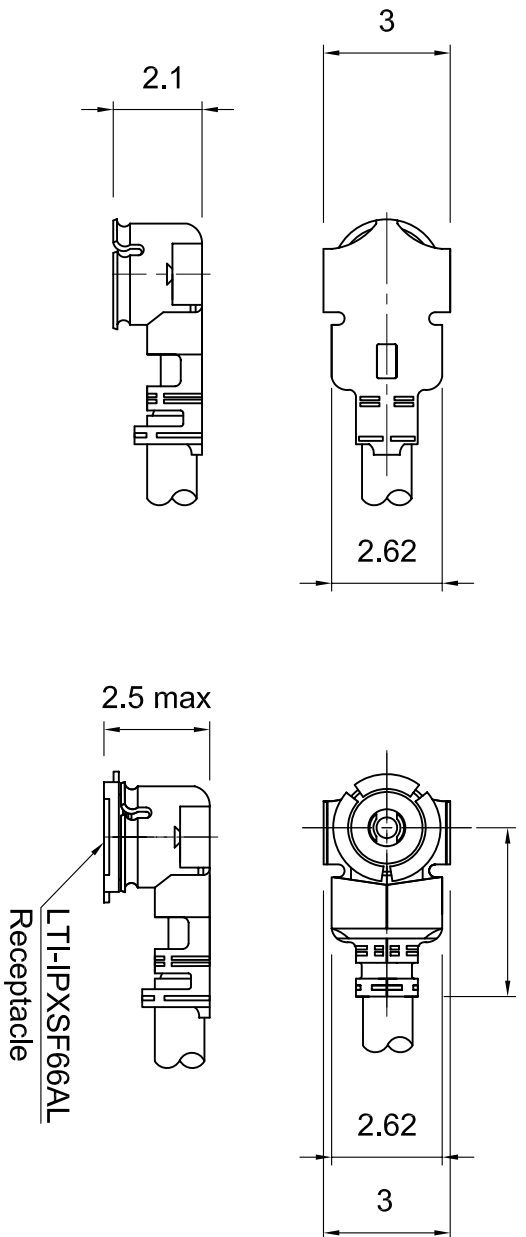
| |
|--------------------------------------|
| Tolerances |
| 1-20=+/-0.2 |
| 20-30=+/-0.3 |
| 30-40=+/-0.4 |
| 40-50=+/-0.5 |
| 50-100=+/-0.75 |
| 100-300=+/-1.5 |
| Angles=+/-1 |
| Dimensions are in Millimeters |

| Revisions | | Approved | Date |
|---------------------------|---------|----------|---------|
| Description/Approved/Date | Checked | M.H. | 4/13/05 |
| | Drawn | M.D.L | 4/13/05 |

| | | | |
|---|--------------------|---|--|
| NOTES (plating thickness in microinches): | 5. Per MIL-P-19488 | 6. Per ZZ-R-765 | 9. Nickel pl. 100 min. over copper strike |
| 1. Per QQ-B-626 | 7. Per WW-1-799 | 8. Gold pl. 5 min. over nickel pl. 50 min. over copper strike | 10. Gold pl. 5 min. over nickel pl. 50 min. over copper strike |
| 2. Per QQ-S-764 | | | |
| 3. Per QQ-C-530 | | | |
| 4. Per QQ-B-750 | | | |

All components used in this connector conform to RoHS standards. **Approved by:** **Date:**

HISTORY OF REVISIONS
1. Changed p/n from LTI-IPXLM11GPB-178 to LTI-IPXLM11GPB-178. 08/04/09 TJA



| ITEM | MATERIAL | FINISH |
|-----------------|-------------------------|---------------|
| Connector Body | Phosphor Bronze, Note 4 | Gold, Note 8 |
| Center Contact: | Brass, Note 1 | Gold, Note 11 |
| Insulation | PBT | Color: Black |
| Ferrule | -- | -- |
| Gasket | -- | -- |
| Hex Nut | -- | -- |
| Lock Washer | -- | -- |

| | | |
|--|---|---|
| | | Lighthouse Technologies, Inc. 9511 Ridgely Court, Suite B San Diego, California 92123 Part Number: LTI-IPXLF11GPB-178 |
| Description IPX right angle crimp jack for RG-178 | | |
| coax cable: | Gold plated Phosphor Bronze body, PBT dielectric. | |
| Scale | Drawing No. | File Name |
| 4:1 | IPXLF11GPB | IPXLF11GPB-178 |