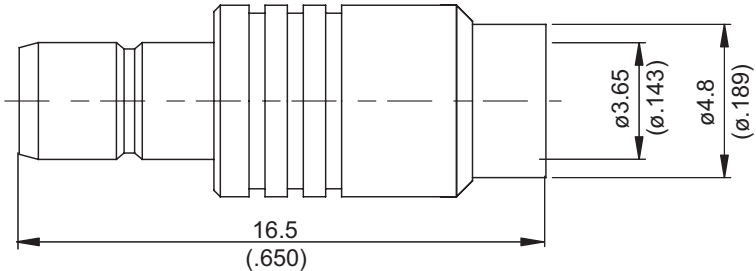


SMB8300-0141	<b>SMB Jack Solder For RG402;</b> <b>4GHz VSWR 1.2</b> <b>50Ω</b>															
																
<table border="1"> <thead> <tr> <th>Parts</th> <th>Material</th> <th>Plating (Micro-inch)</th> </tr> </thead> <tbody> <tr> <td>Contact Pin</td> <td>Brass</td> <td>Gold 4 Over Nickel-Phosphorus Alloy 80 Over Copper 20</td> </tr> <tr> <td>Insulator</td> <td>Teflon</td> <td></td> </tr> <tr> <td>Barrel</td> <td>Brass</td> <td>Gold 4 Over Nickel-Phosphorus Alloy 80 Over Copper 20</td> </tr> <tr> <td>Body</td> <td>Brass</td> <td>Gold 4 Over Nickel-Phosphorus Alloy 80 Over Copper 20</td> </tr> </tbody> </table>	Parts	Material	Plating (Micro-inch)	Contact Pin	Brass	Gold 4 Over Nickel-Phosphorus Alloy 80 Over Copper 20	Insulator	Teflon		Barrel	Brass	Gold 4 Over Nickel-Phosphorus Alloy 80 Over Copper 20	Body	Brass	Gold 4 Over Nickel-Phosphorus Alloy 80 Over Copper 20	
Parts	Material	Plating (Micro-inch)														
Contact Pin	Brass	Gold 4 Over Nickel-Phosphorus Alloy 80 Over Copper 20														
Insulator	Teflon															
Barrel	Brass	Gold 4 Over Nickel-Phosphorus Alloy 80 Over Copper 20														
Body	Brass	Gold 4 Over Nickel-Phosphorus Alloy 80 Over Copper 20														
Weight: 1.84 g Suitable Cables: Semi-rigid.141																

This part number complies with RoHS.

Notice: JYEBAO reserves the right to make modifications deemed appropriate.

SMB	SMB8300-0141
<div style="border: 1px solid black; padding: 2px; margin-bottom: 5px;">Interface</div> MIL-STD-348B Mechanically compatible with <span style="float: right;">SMS</span>	
<div style="border: 1px solid black; padding: 2px; margin-bottom: 5px;">Electrical Data</div> Impedance <span style="float: right;">50Ω</span> Frequency range <span style="float: right;">DC to 4GHz</span> VSWR <span style="float: right;">≤ 1.2 (DC to 4GHz)</span> Insertion loss <span style="float: right;">≤ 0.1 x √f(GHz) dB</span> Insulation resistance <span style="float: right;">≥ 10000MΩ</span> Contact resistance inner conductor <span style="float: right;">≤ 5mΩ</span> Contact resistance outer conductor <span style="float: right;">≤ 2.5mΩ</span> Dielectric withstanding voltage (at sea level) <span style="float: right;">1000V rms</span> Working Voltage (at sea level) <span style="float: right;">335V rms</span>	
<div style="border: 1px solid black; padding: 2px; margin-bottom: 5px;">Mechanical Data</div> Disengagement force <span style="float: right;">1.8 to 14.2 lbs</span> Engagement force <span style="float: right;">1.8 to 14.2 lbs</span> Contact captivation-axial <span style="float: right;">≥ 4 lbs</span> Durability (mating) <span style="float: right;">≥ 500</span>	
<div style="border: 1px solid black; padding: 2px; margin-bottom: 5px;">Environmental Data</div> Temperature range <span style="float: right;">-65°C to +165°C</span> Thermal shock <span style="float: right;">MIL-STD-202, Method 107, Condition B</span> Moisture resistance <span style="float: right;">MIL-STD-202, Method 106</span> Corrosion <span style="float: right;">MIL-STD-202, Method 101, Condition B</span> RoHS <span style="float: right;">Compliant</span>	
<div style="border: 1px solid black; padding: 2px; margin-bottom: 5px;">Tooling</div> Soldering gauge <span style="float: right;">ST-0.2</span> Soldering fixture <span style="float: right;">ST-008</span> Insert for .141semi-rigid cable <span style="float: right;">ST-010</span> Locator tool <span style="float: right;">ST-011</span>	

Notice: JYEBAO reserves the right to make modifications deemed appropriate.

# JYE BAO CO., LTD.

## CABLE ASSEMBLY INSTRUCTION

SMB8300-0141	DATE	2017/07/06	REV	—
--------------	------	------------	-----	---

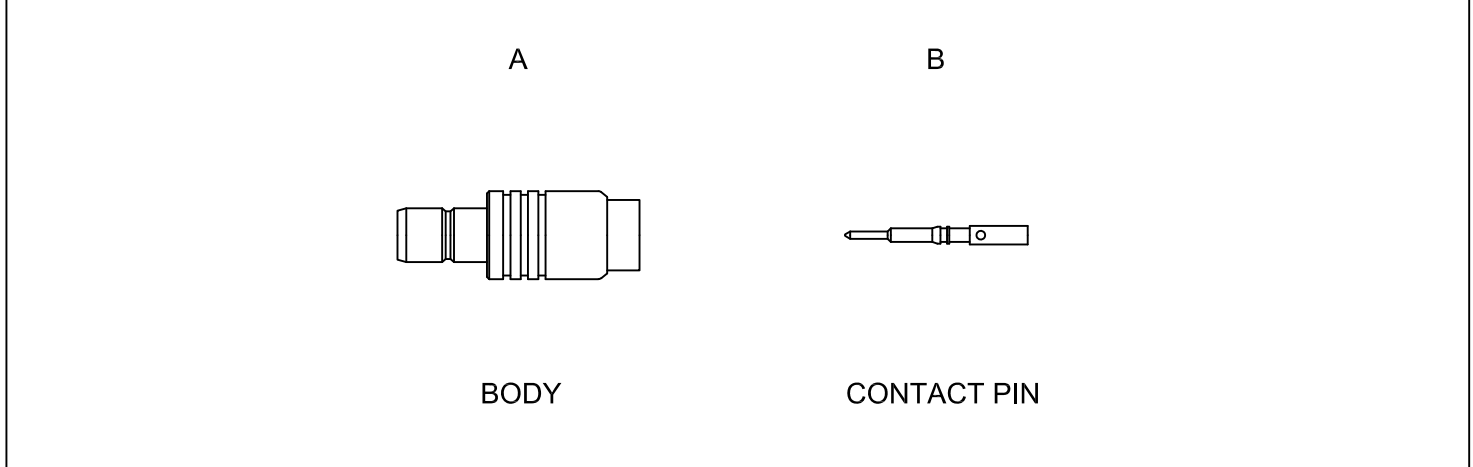
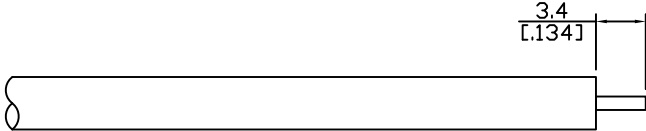
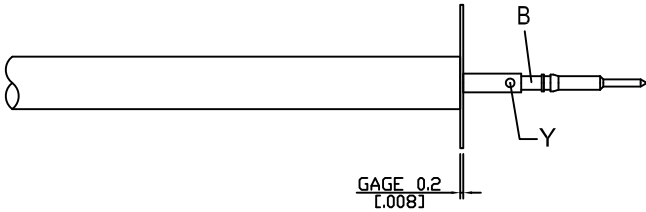
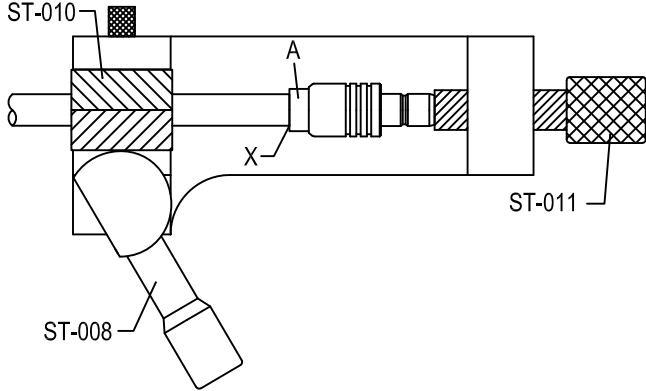


DIAGRAM	ASSEMBLY INSTRUCTION
---------	----------------------

	<p>Step 1: STRIP AS SHOWN.</p>
---	--------------------------------

	<p>Step 2: PUT 0.2 MM GAGE ST-0.2 IN PLACE, INSERT CABLE'S CENTER CONDUCTOR INTO CENTER PIN " B " AND SOLDER IN " Y ".</p>
--	--

	<p>Step 3: USE SOLDERING FIXTURE ST-008 ", INSERT TOOL " ST-010 " AND LOCATOR TOOL " ST-011 " TO FIX THE CONNECTOR. SOLDER IN " X ".</p>
--	--

This part number complies with RoHS.  
 Notice: JYEBAO reserves the right to make modifications deemed appropriate.

APPROVED	CHECKED	DRAWING
		<i>Albert</i>

# SMB8300-0141

S11

