

DIAMOND

Fiber Optic Components

FC FUSION

Specifications:

Insertion loss	Typ. 0,2 dB
Return loss	Min. 30 dB
Service life	1000 mate/demate cycles
Operating temperature	-40/+85°C*
Storage temperature	-40/+90°C

APPLICATIONS: LAN, MAN, WAN, Test & Measurement, Industry.

STANDARDS: **FC/PC:** IEC 874-7, CECC 86 115-801

DESIGN/MATERIALS:

Fiber alignment: MM: Via patented crimping process

Polish: FC/PC: Convex (PC)

Ferrule: Ø 2.5 mm, zirconia ceramic with extending copper-nickel alloy insert (Pilzferrule), spring loaded (15 N), anti-rotation keyed

Adaptor: Floating zirconia resilient sleeve in Ni-plated brass housing

External parts: Ni-plated brass and Plastic black

Cable retention: Decoupled from ferrule on cable with Ø ≤ 3.5 mm

TERMINATION TOOLS AND EQUIPMENT:

See information on reverse or section on tools and equipment.

CONNECTORS

FUSION MULTIMODE PC CONVEX, Key Ø 2,14 mm

Type designation: **HPC-M0.86 Alb**

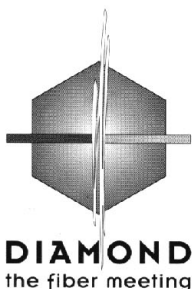
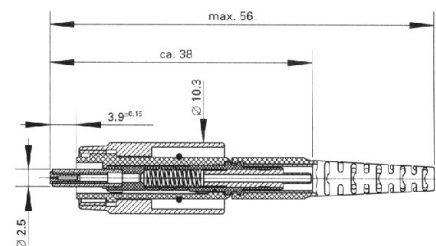
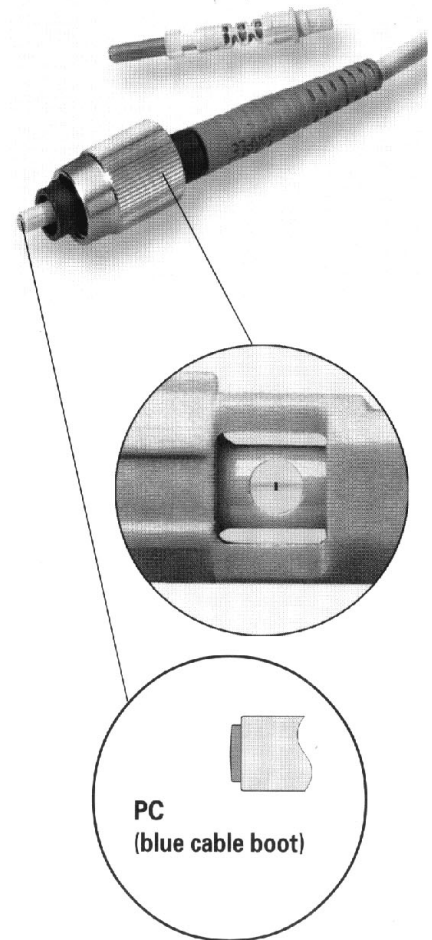
Dimensions Fiber/Cable	Order Number	
	GI 50/125	GI 62.5/125
50-62.5/125/900	190 - 001 - 001 L 000	190 - 001 - 011 L 000
50-62.5/125/900/2100	190 - 001 - 002 L 000	190 - 001 - 012 L 000
50-62.5/125/900/2500	190 - 001 - 003 L 000	190 - 001 - 013 L 000
50-62.5/125/900/3000	190 - 001 - 004 L 000	190 - 001 - 014 L 000
50-62.5/125/900/3500	190 - 001 - 005 L 000	190 - 001 - 015 L 000

Connectors for other fiber and cable dimensions available upon request

MULTI MODE

HPC-M0.86

Alb MM



DIAMOND SA
Via dei Patrizi 5
CH-6616 LOSONE
Tel. ++41-91/785 45 45
Fax ++41-91/785 45 00
e-mail: info@diamond-fo.com

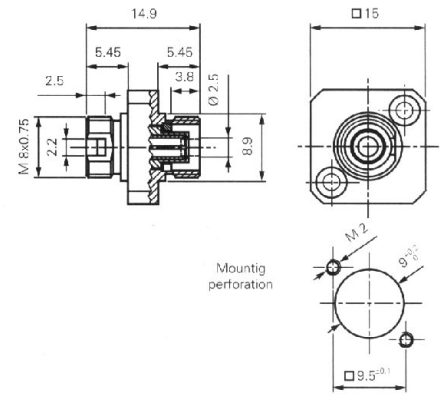
Specifications subject to change without notice

002-037-202P009022

ADAPTORS

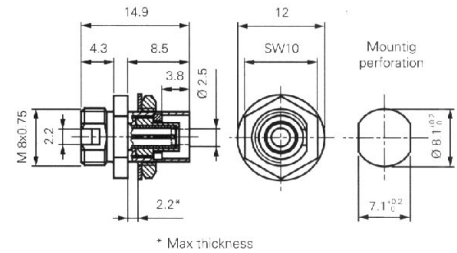
Type designation: **MPC-M0.22**

Mating sleeve	Material	External parts	Order Number
Zirconia		Ni-plated brass	110 - 301 - 919 V 001



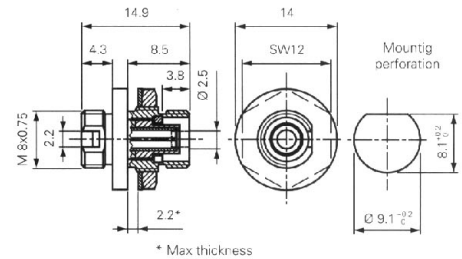
Type designation: **MPC-M0.22/6 Kt.**

Mating sleeve	Material	External parts	Order Number
Zirconia		Ni-plated brass	110 - 301 - 920 V 001



Type designation: **MPC-M0.22/Y**

Mating sleeve	Material	External parts	Order Number
Zirconia		Ni-plated brass	110 - 301 - 921 V 001



Termination kit

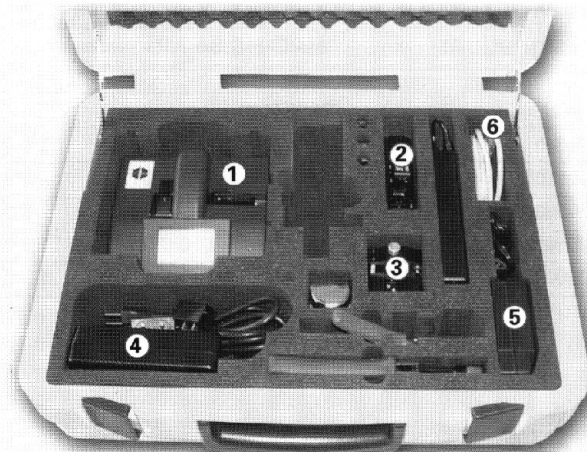
DIAMOND FUSION FIELD TERMINATION KIT allow installer to terminate DIAMOND-quality E-2000™, SC, FC, ST connectors in the field. It also include all the necessary tools and instructions.

Order information

Fusion Field Termination Kit complet: 241-100-049V001

Case content:

Description
1 Fusion Splicer FFS-2000
2 Fiber stripper FS-1
3 Precision fiber cleaver FC-1
4 Power supply 120/240 V
5 Battery charger 120/240 V
6 Ethernet cable



Pliers for housing assembly

Connector type	Order Number
E-2000™	221-100-032V001
HSC	221-100-041V001
HPC	221-100-093V001
HST™	221-100-094V001

Space requirement : ca. 540 x 420 x 210 mm
Weight : ca. 11,8 Kg