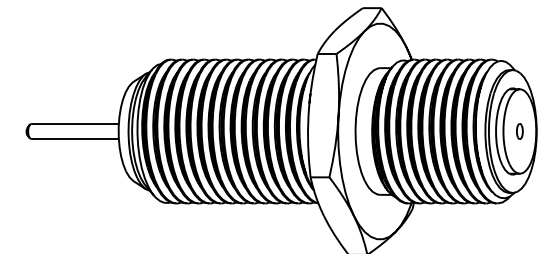


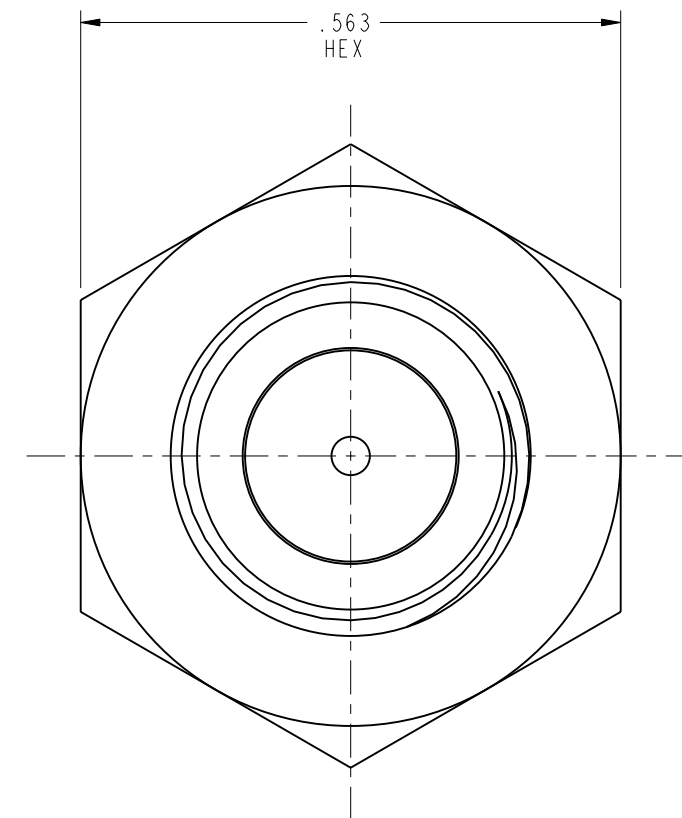
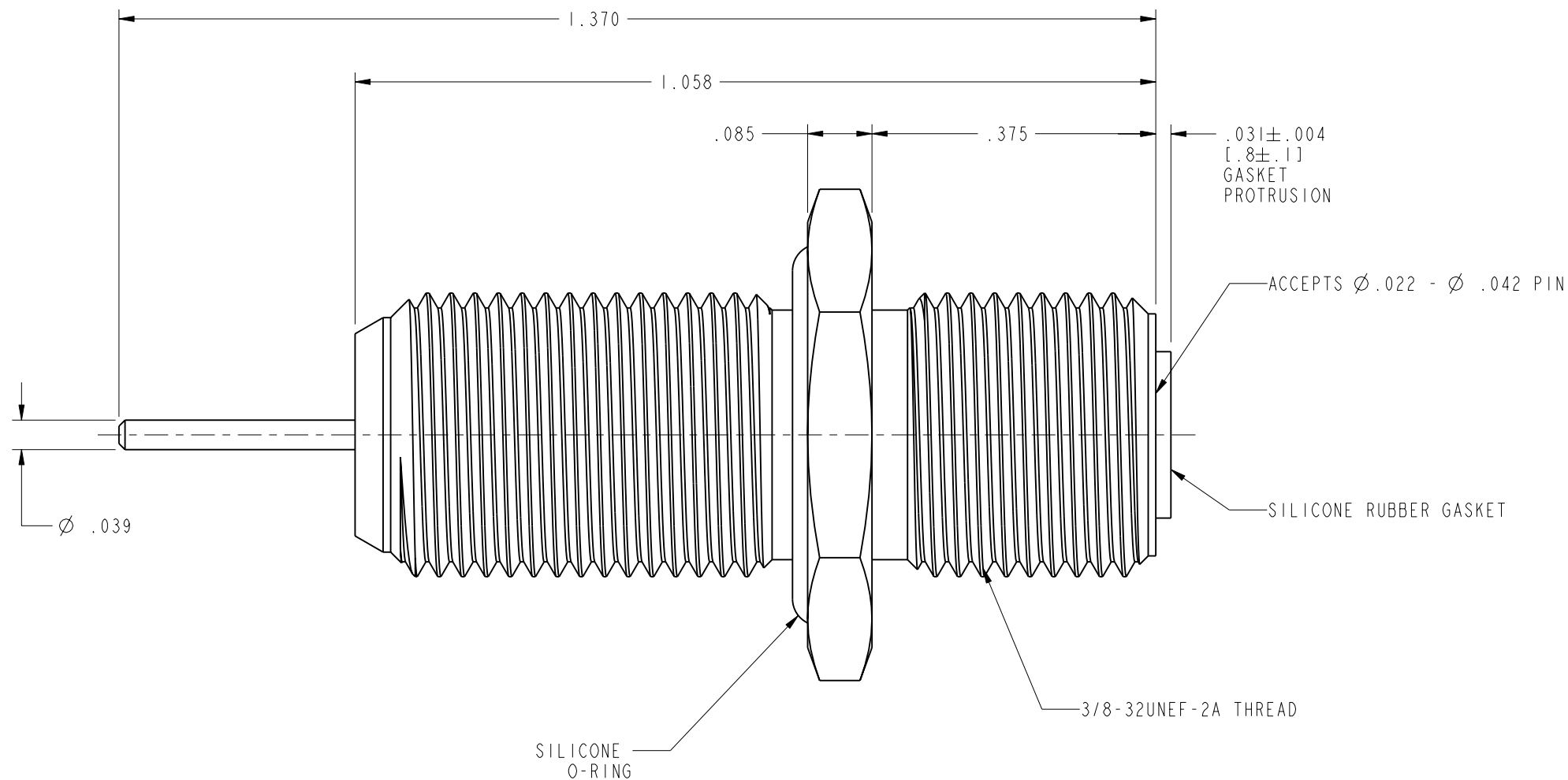
NOTES:

1. MATERIALS AND FINISHES:
 BODY - BRASS, NICKEL PLATING (.000100 MIN THICK)
 CONTACT - PHOSPHOR BRONZE, BRIGHT ACID TIN PLATING (.000250 MIN THICK)
 INSULATORS - DELRIN
 O-RING - SILICONE
 INNER GASKET - SOFT SILICONE
2. ELECTRICAL:
 A. IMPEDANCE: 75 OHMS
 B. CURRENT RATING: 1.5 AMP MAX
3. MECHANICAL:
 A. DURABILITY: 100 CYCLES MIN.
 B. TEMPERATURE RANGE: -65° C TO +165° C
 C. INTERNAL SEAL PRESSURE RATING: 30 PSI MAX
 D. CENTER CONTACT TO ACCEPT \varnothing .032 \pm .010 PIN
 E. INTERFACE MEETS THE REQUIREMENTS OF SCTE SPEC. IPS-SP-400
4. PACKAGING:
 A. QUANTITY: SINGLE PACK
 B. MARKING: BAG TO BE MARKED
 "AMPHENOL, 531-40159, AND DATE CODE"

531-40159		REVISIONS			
DRAWING NO.	REV	DESCRIPTION	DATE	ECO	APPR
THIRD ANGLE PROJ.	A	PROTOTYPE RELEASE	5/30/03	44499	



SCALE 2.000



CUSTOMER OUTLINE DRAWING
 ALL OTHER SHEETS ARE FOR INTERNAL USE ONLY

UNLESS OTHERWISE SPECIFIED, DIMENSIONS ARE IN INCHES AND TOLERANCES ARE: 2 PLACE DECIMAL 3 PLACE DECIMAL ANGLES $\pm .015$ (0,381 mm) $\pm .005$ (0,127 mm) $\pm 1^\circ$	MATERIAL	DRAWN MIKE HOYACK	DATE 07-Apr-03	TITLE F RECEPTACLE FEMALE TO .039 POST	Amphenol Amphenol Corporation Communication and Network Products Division Danbury, CT U.S.A. 06810			
	REFERENCE EAR 559.1 GEN# ASSYF22_F 616X-1097-100 SIMILAR TO 531-40139	ENGINEER MIKE HOYACK	DATE 07-Apr-03			APPROVED O. BARTHELMES	DATE 5/29/03	
NOTICE - These drawings, specifications, or other data (1) are, and remain the property of Amphenol Corp. (2) must be returned upon request; and (3) are confidential and not to be disclosed to any person other than those to whom they are given by Amphenol Corp. The furnishing of these drawings, specifications, or other data by Amphenol Corp., or to any other person to anyone for any purpose is not to be regarded by implication or otherwise in any manner licensing, granting rights or permitting such holder or any other person to manufacture, use or sell any product, process or design, patented or otherwise, that may in any way be related to or disclosed by said drawings, specifications, or other data.		CAD FILE I:\CATV\FTYPE\531-40159	CODE ID 74868	DWG SIZE B	DRAWING NO. 531-40159	SCALE: 5.0:1	SHEET 2 OF 2	REV A