

5

4

3

2

1

DRAWING NO.

25-7056-CUST

REVISIONS

01

OFFICIAL RELEASE

08-21-09

Y

U

Y

U

T

H

02

CHANGE DIMENSION FROM
Φ8.7 TOΦ8.4

06-30-11

L

H

M

D

D



Description: F-56 Alm wp w/1/2 Ring

Part No: 25-7056

Application: For RG6 Cable

Crimp Tool: 24-7710 or 24-8866P

Impedance: 75 Ohms

Frequency Range: 0-750 MHz

Material: Body Brass Chromate plated

Nut Brass Chromate plated

RoHS Compliance: Yes

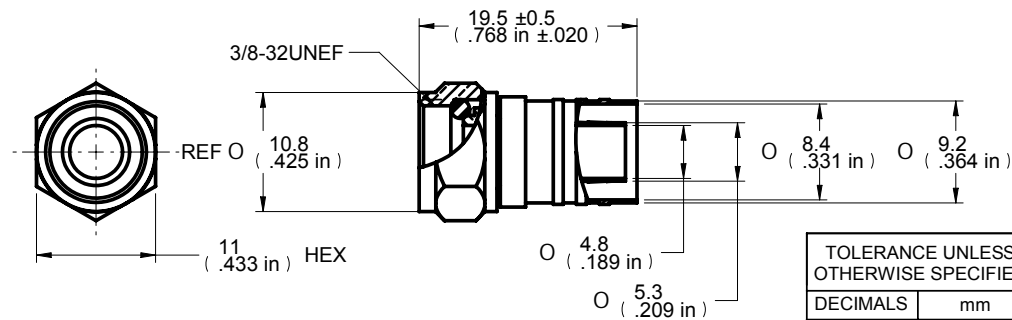
Technical Detail: Refer to Emerson Document P/N 25-0000

C

C

B

B



A

A

DIM OUTLINE

| | | | |
|--------------------------------------|--------|--------------------------|------------------|
| TOLERANCE UNLESS OTHERWISE SPECIFIED | | DRAWN BY Ma Lin | DATE 06-30-11 |
| DECIMALS | mm | CHECKED BY Hu Yuge | DATE 06-30-11 |
| X | ± 0.5 | APPROVED BY Wencan Li | DATE 06-30-11 |
| X.X | ± 0.3 | | |
| X.XX | ± 0.1 | | |
| ANGLES | ± 0.5° | U/M | mm |

CUSTOMER COPY

TITLE
F-56ALM WP W/ 1/2 RINGSHEET
1 OF 1DRAWING NO.
25-7056-CUSTSIZE
A

5

4

3

2

1

for evaluation only