








-  Compliant with IEEE802.3 standard including 350uH OCL with 8mA DC bias
-  Models with integrated transmit and receive channels in low profile SMT package
-  Designed to withstand IR-Reflow with peak temperature per IPC/JEDEC J-STD-020C
-  Operating temperature 0°C to +70°C
-  RoHS compliant versions are available



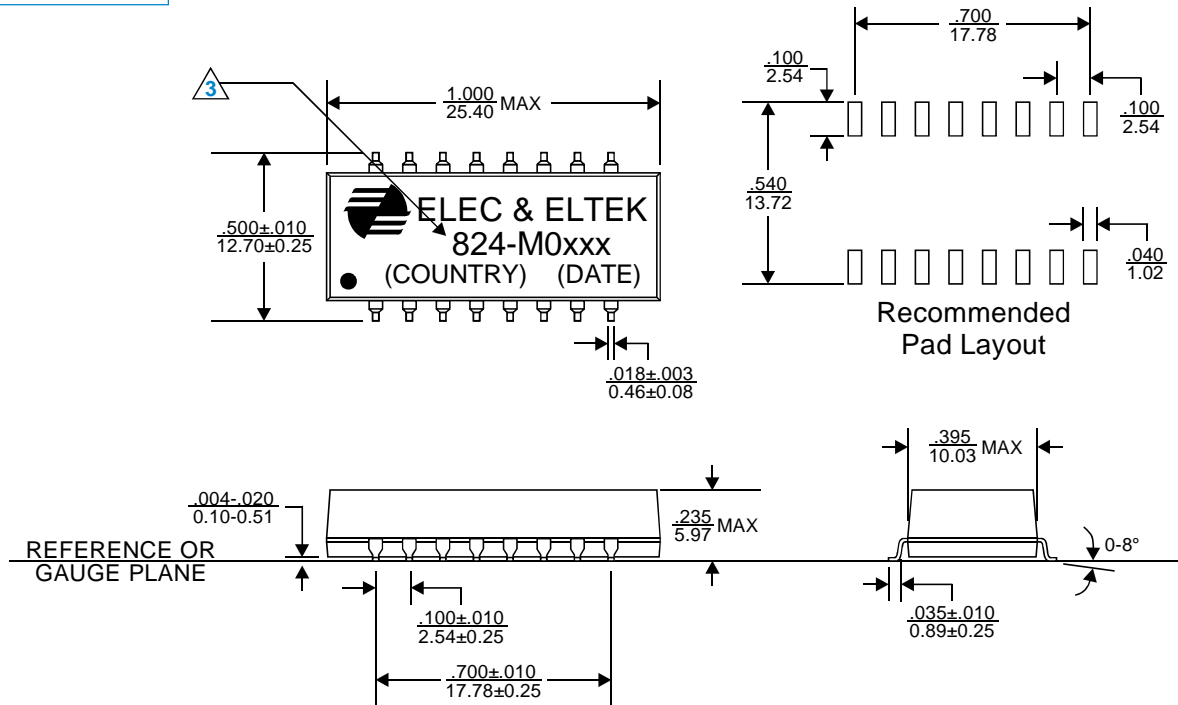
ELECTRICAL SPECIFICATION @ 25°C

Part Number	RoHS Part Number	Turns Ratio		Insertion Loss (dB Max)	Return Loss (dB Min)					CMRR (dB Min)	Crosstalk (dB Min)	Hipot (Vrms)
		Tx	Rx		.1-100MHz	1-30MHz	40MHz	50MHz	60-80MHz			
824-M0004	824-M0004R	1.41CT:1CT	1CT:1CT	1.1	18.0	15.5	13.5	12.0	30.0	34.0	1500	
824-M0073	824-M0073R	1.41CT:1CT	1CT:1CT	1.1	18.0	15.5	13.5	12.0	30.0	34.0	1500	
824-M0075	824-M0075R	1.25CT:1CT	1CT:1CT	1.1	18.0	15.5	13.5	12.0	30.0	34.0	1500	
824-M0080	824-M0080R	1CT:1.41	1CT:1CT	2.0	18.0	15.5	13.5	12.0	30.0	34.0	1500	
824-M0090	824-M0090R	1CT:1.41CT	1CT:1CT	2.0	18.0	15.5	13.5	12.0	30.0	34.0	1500	
824-M0144	824-M0144R	1.41CT:1CT	1CT:1CT	1.1	18.0	15.5	13.5	12.0	30.0	34.0	1500	
824-M0220	824-M0220R	1.41CT:1CT	1CT:1CT	1.1	18.0	15.5	13.5	12.0	30.0	34.0	1500	



MECHANICAL DIMENSIONS

Package: SM016A



Notes:

1. All dimensions are specified in inches with higher precedence in inches.
2. Unless otherwise specified, all tolerances are $\pm .010$.
3. For available RoHS part number, the part will be marked with "824-M0xxxR", instead of "824-M0xxx".

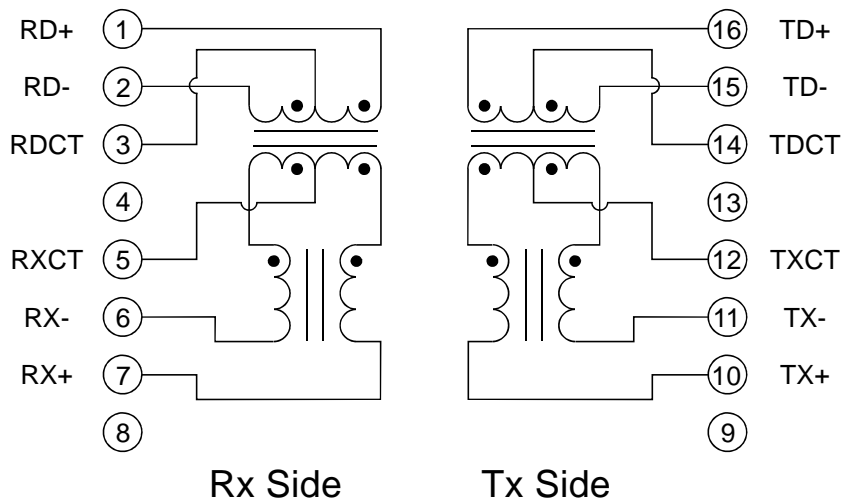
Weight (in gram)	: 2.7 typ.
Tape & Reel	: 350 / reel

SCHEMATICS

824-M0004

**CHIP SIDE
(Primary)**

**LINE SIDE
(Secondary)**

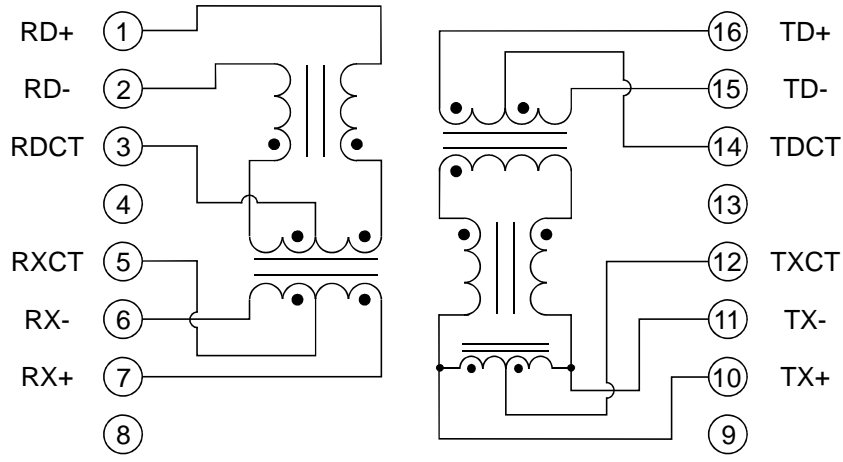




SCHEMATICS

824-M0080

**CHIP SIDE
(Primary)**



**LINE SIDE
(Secondary)**

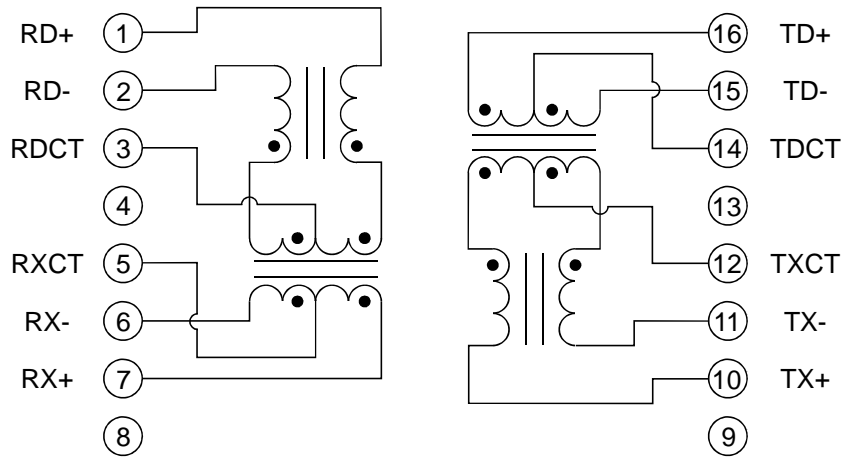
Rx Side

Tx Side

SCHEMATICS

824-M0073/ 824-M0090

**CHIP SIDE
(Primary)**



**LINE SIDE
(Secondary)**

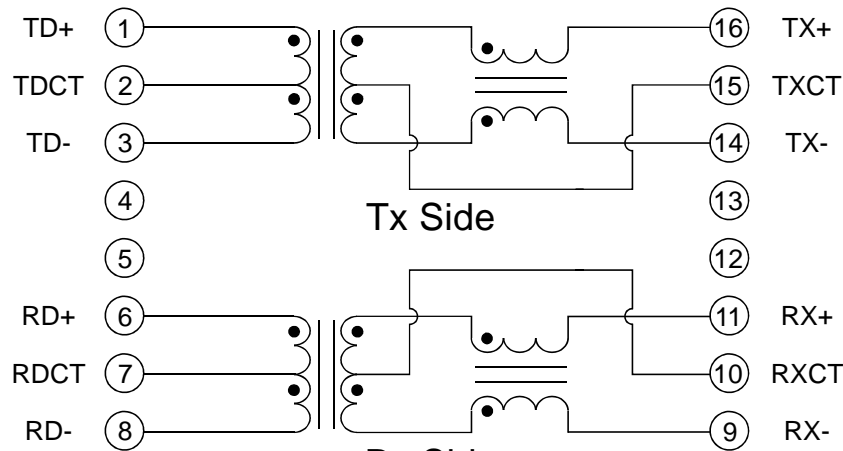
Rx Side

Tx Side

SCHEMATICS

824-M0075/ 824-M0144

**CHIP SIDE
(Primary)**



**LINE SIDE
(Secondary)**

Rx Side

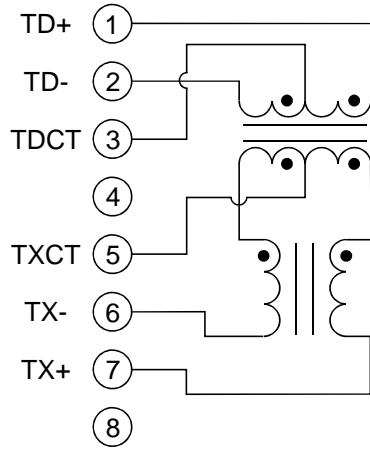


SCHEMATICS

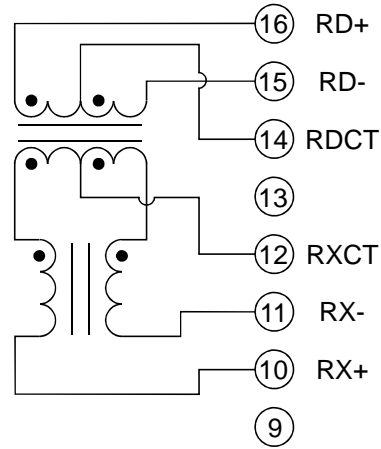
824-M0220

**CHIP SIDE
(Primary)**

**LINE SIDE
(Secondary)**



Tx Side



Rx Side

FOR MORE INFORMATION, PLEASE CONTACT

HEADQUARTER
2/F Block A, Merit Industrial Centre,
94 Tokwawan Road, Kowloon,
Hong Kong
Tel: (852) 2765 3888
Fax: (852) 2954 3304
Email: eempl@eleceltek.com
Website: <http://www.eleceltek.com>

Information herein is for reference only and subject to change without notice. It does not constitute any representation, warranty or commitment of the company in respect of the products in any aspect. All logos, brands and product names mentioned herein are trademarks or registered trademarks of their respective owners. The company does not assume any liability arising out of the application or use of any product or circuit described herein. Copyrights 2006, E & E Magnetic Products Limited.