

711 Series Single Way

DB-1a

Data Bus Interconnection System



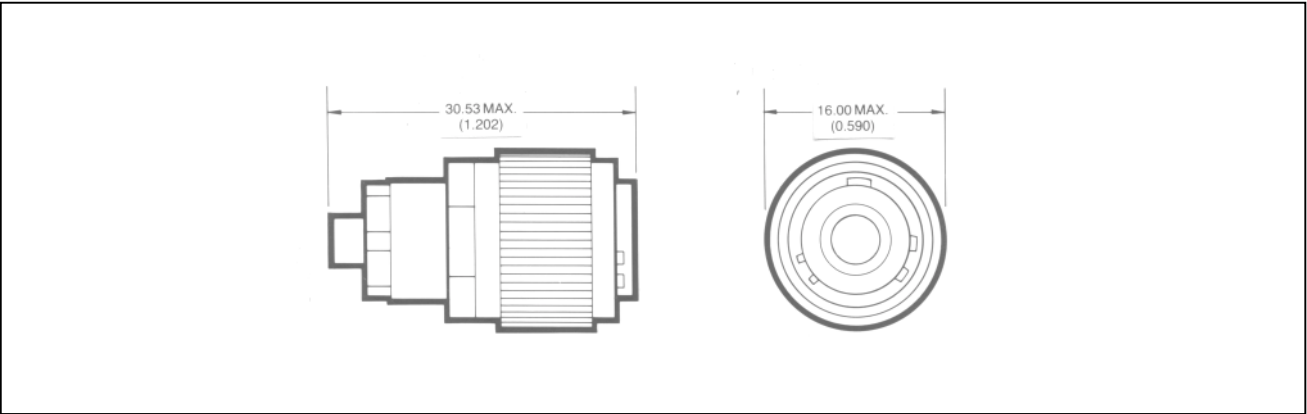
Data Bus Interconnection System designed for data transmission as defined by MIL-STD-1553B, STANAG 3838 and DEF STAN 00-18 (Part 2). This system is also ideal for video transmission systems and the termination of screened twisted pairs.

BS 9522 F0043 approved and qualified to PAN 6484/6499. 711 series connectors incorporate an anti-vibration locking mechanism. The triaxial, all crimp contact used in the 711 series single way connectors is common to the multi-way connector housing allowing up rating of equipment at any time.

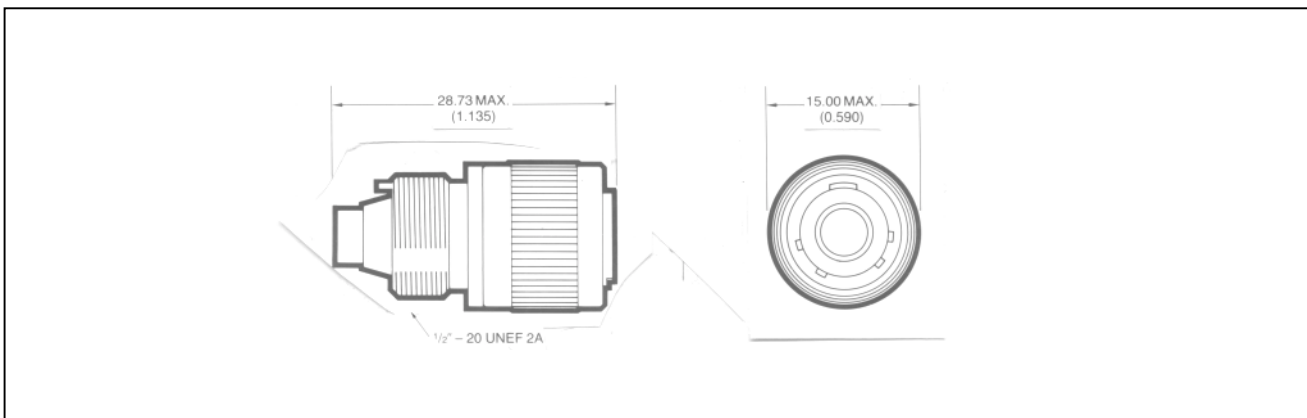
Amphenol

Plugs

Plug - 711-5000/C2832-

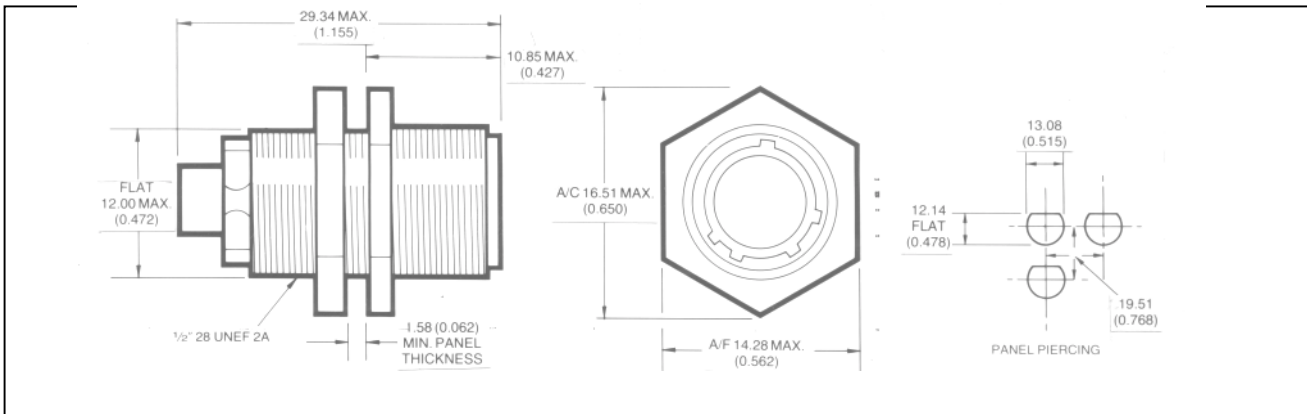


Plug-711-5011/C2831-/PAN 6484 F

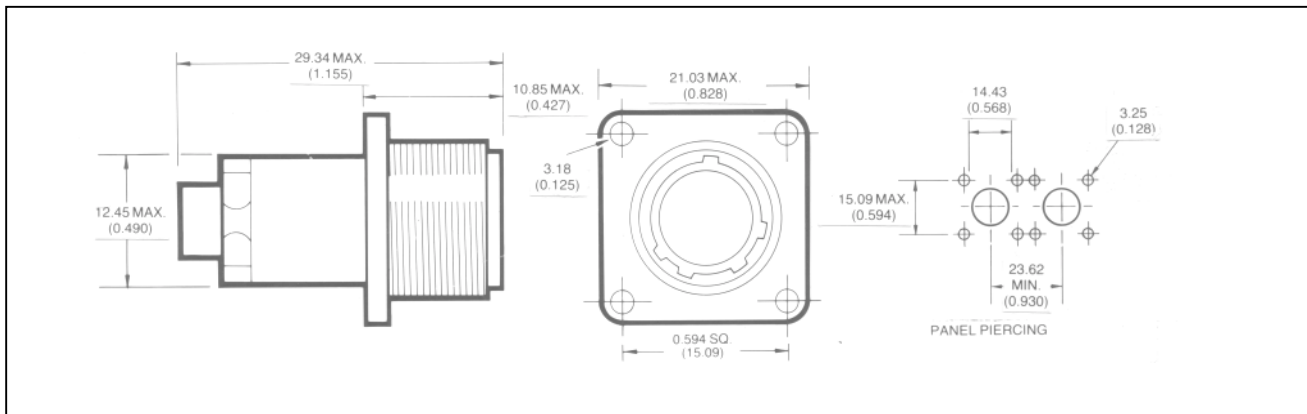


Receptacles

Single Hole Mtg. Receptacle - 711-5001/C2834-



Sq. Flange Mtg. Receptacle - 711-5002/C2835-/PAN 6484 B



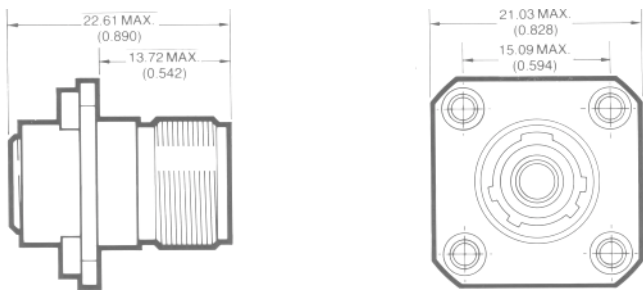
Single Hole Mtg. Receptacle - 711-5008/C2844-



PANEL PIERCING AS FOR 5001

NOTE: This connector is only for use with discrete wiring and is not suitable for use with Data Bus cable.

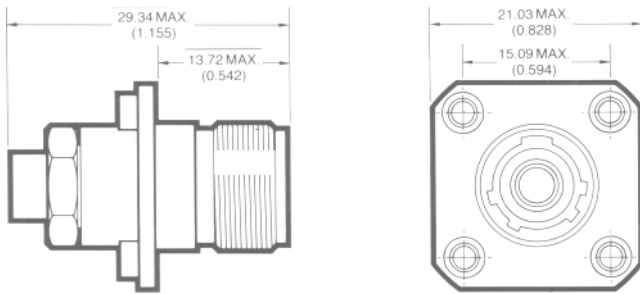
Sq. Flange Mtg. Receptacle - 711-5009/C2838-(M3 Clinch nuts fitted)



PANEL PIERCING AS FOR-5002

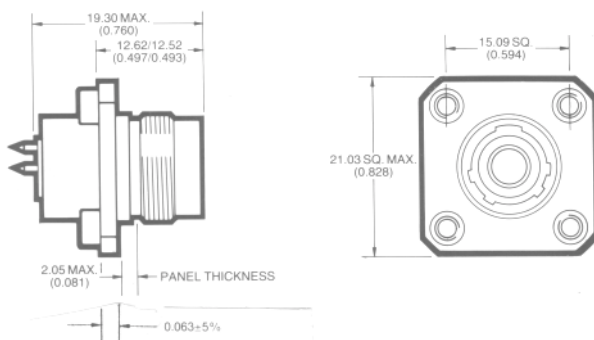
NOTE: This connector is only for use with discrete wiring and is not suitable for use with Data Bus cable.

Sq. Flange Mtg. Receptacle - 711-5010/C2837-/PAN 6484C (M3 Clinch nuts fitted)



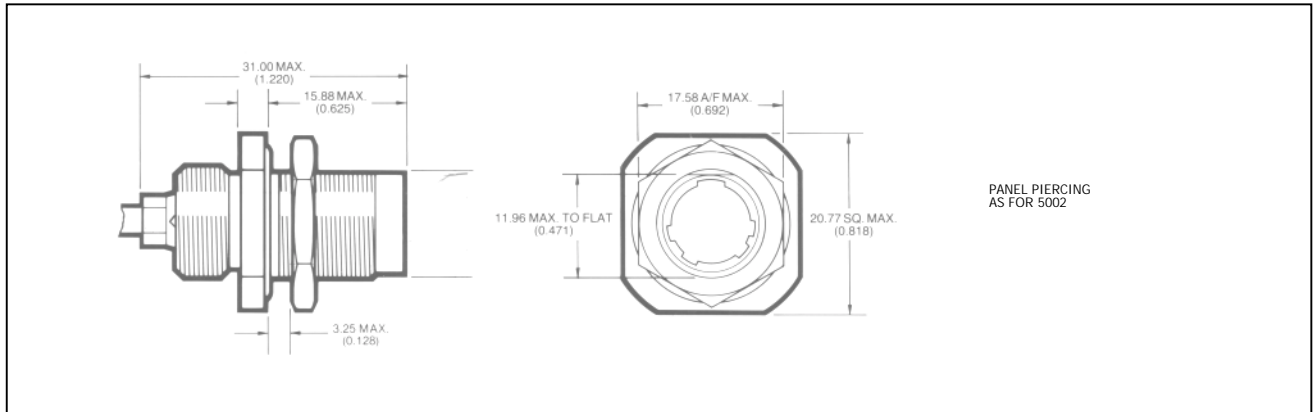
PANEL PIERCING AS FOR - 5002

Sq. Flange Mtg. Receptacle with P.C. Termination Contacts - 711-5015/C2839 (clinch nuts fitted)

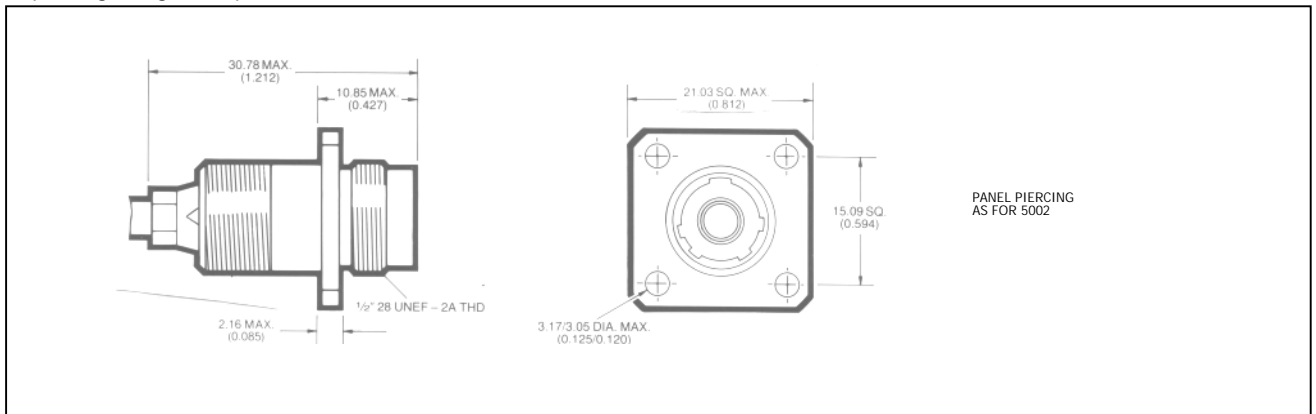


PANEL PIERCING AS FOR-5002

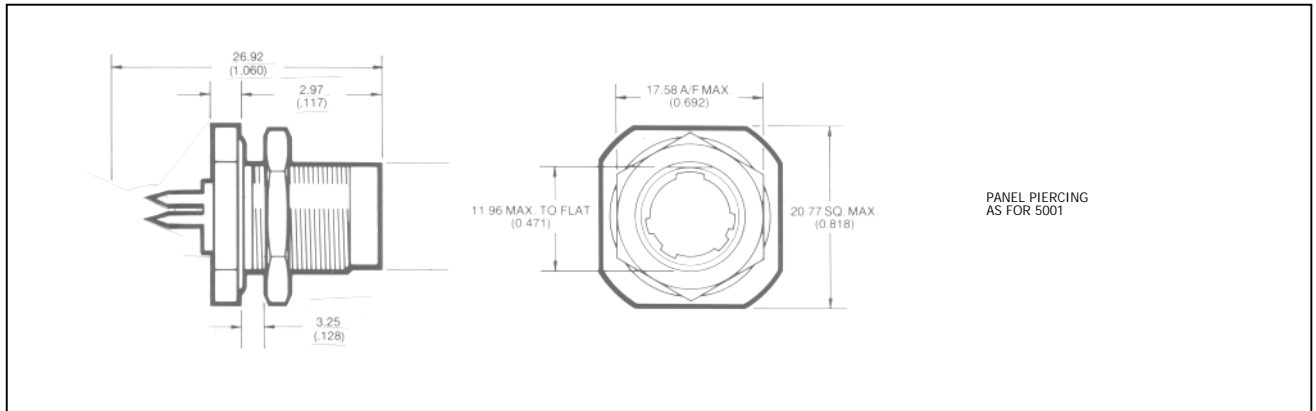
Single Hole Mtg. Receptacle with bulkhead seal - 711-5016/C2833-/PAN 6484A



Sq. Flange Mtg. Receptacle - 711-5024/C2836-

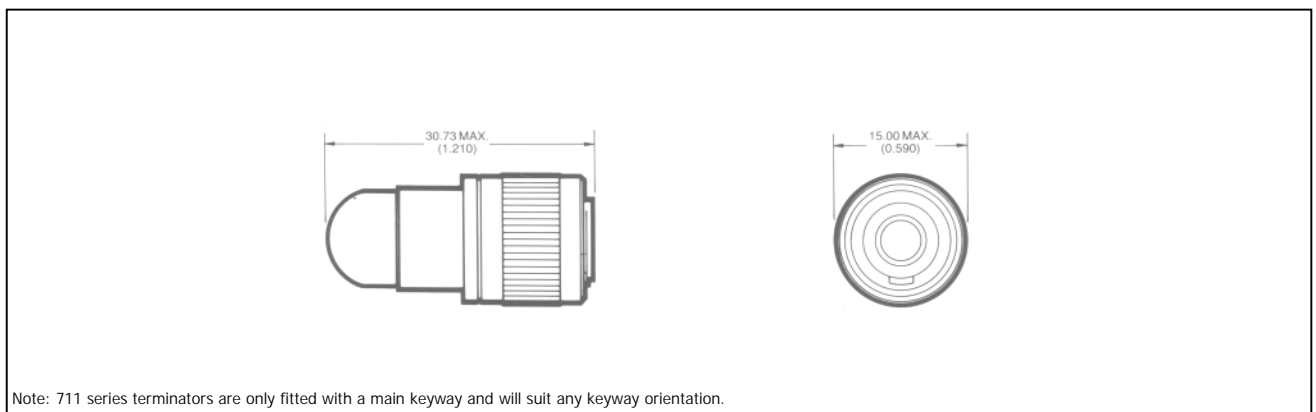


Single Hole Mtg. Receptacle with bulkhead seal and P.C. Termination Contacts-711-5038-



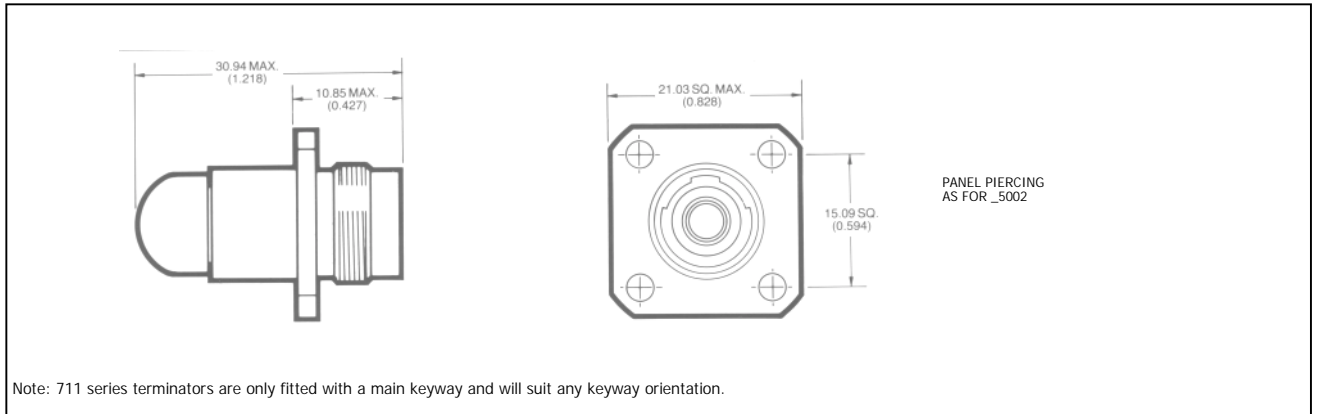
Terminators

Plug Terminator $77\Omega \pm 1$ - 5013-XX/C2843-/PAN 6484 L

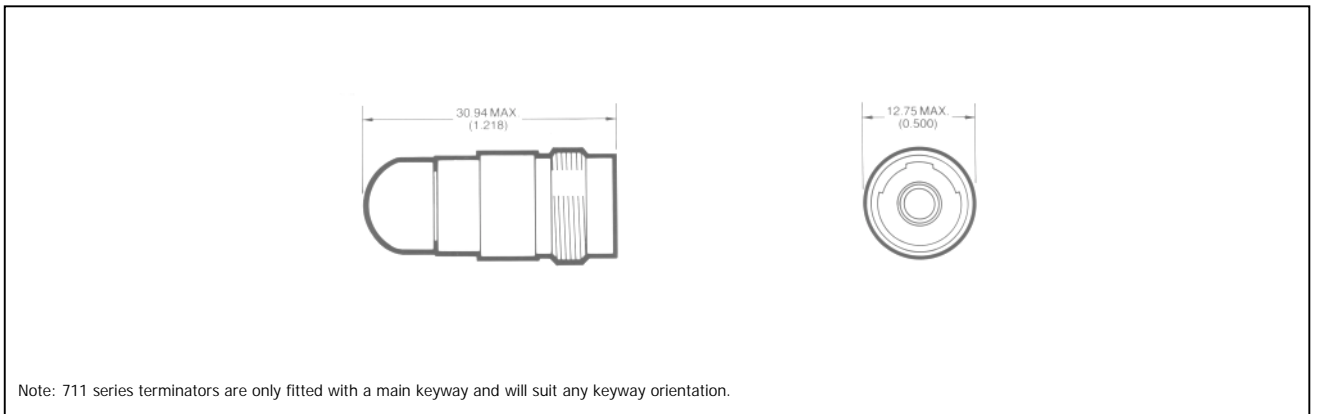


Note: 711 series terminators are only fitted with a main keyway and will suit any keyway orientation.

Sq. Flange Mtg. Receptacle Terminator ($3K\Omega \pm 5\%$) - 5017 - XX/C2845-/PAN 6484 M



In Line Receptacle Terminator ($3K\Omega \pm 5\%$) - 5028 - XX/C2846-/



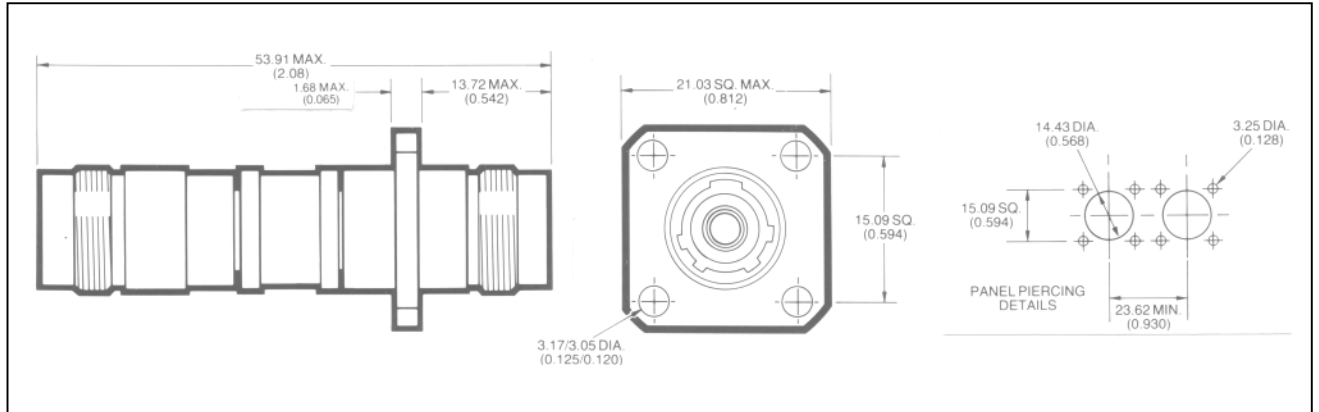
XX Refers to the terminator impedance value. This value can be selected according to the characteristic impedance of the data bus transmission line or to simulate the RT internal impedance. Amphenol standard terminators come fitted with two impedance values.

BUS terminators = 77 ohm STUB terminators = 3K ohm
e.g. Order 711-5017-77, 711-5028-3K etc.

For special requirements contact Amphenol Technical Support and Product Management team.

Loads

Sq. Flange Mounting $10K\Omega \pm 5\%$ in line load - 5020 /PAN 6484 N



Ordering

Ordering by Amphenol

Part Numbers

711 -

5000 - 1 (XXX)

Series designation 711

Shell Style

- 5000- Plug, with socket contact.
- 5001- Receptacle, sealed. Single hole mounting.
- 5002- Receptacle, square flange.
- 5008- Single hole mounting receptacle for discrete wiring.
- 5009- Receptacle, square flange. Low profile, clinch nuts fitted for discrete wiring.
- 5010- Receptacle, square flange. Clinch nuts fitted.
- 5011- Plug to take cable accessories.
- 5013- Plug terminator 750.
- 5015- Receptacle, square flange. P.C. termination contacts. Clinch nuts fitted.
- 5016- Receptacle, single hole mount with bulkhead seal, to take cable accessories.
- 5017- Receptacle terminator 3Kfl. Square flange mounting.
- 5020- In line load 1 OKSZ square flange mounting.
- 5024- Receptacle, square flange mount, to take cable accessories.
- 5028- In line receptacle terminator 3Kfl.
- 5038- Receptacle, single hole mounting with bulkhead seal, P.C. termination.

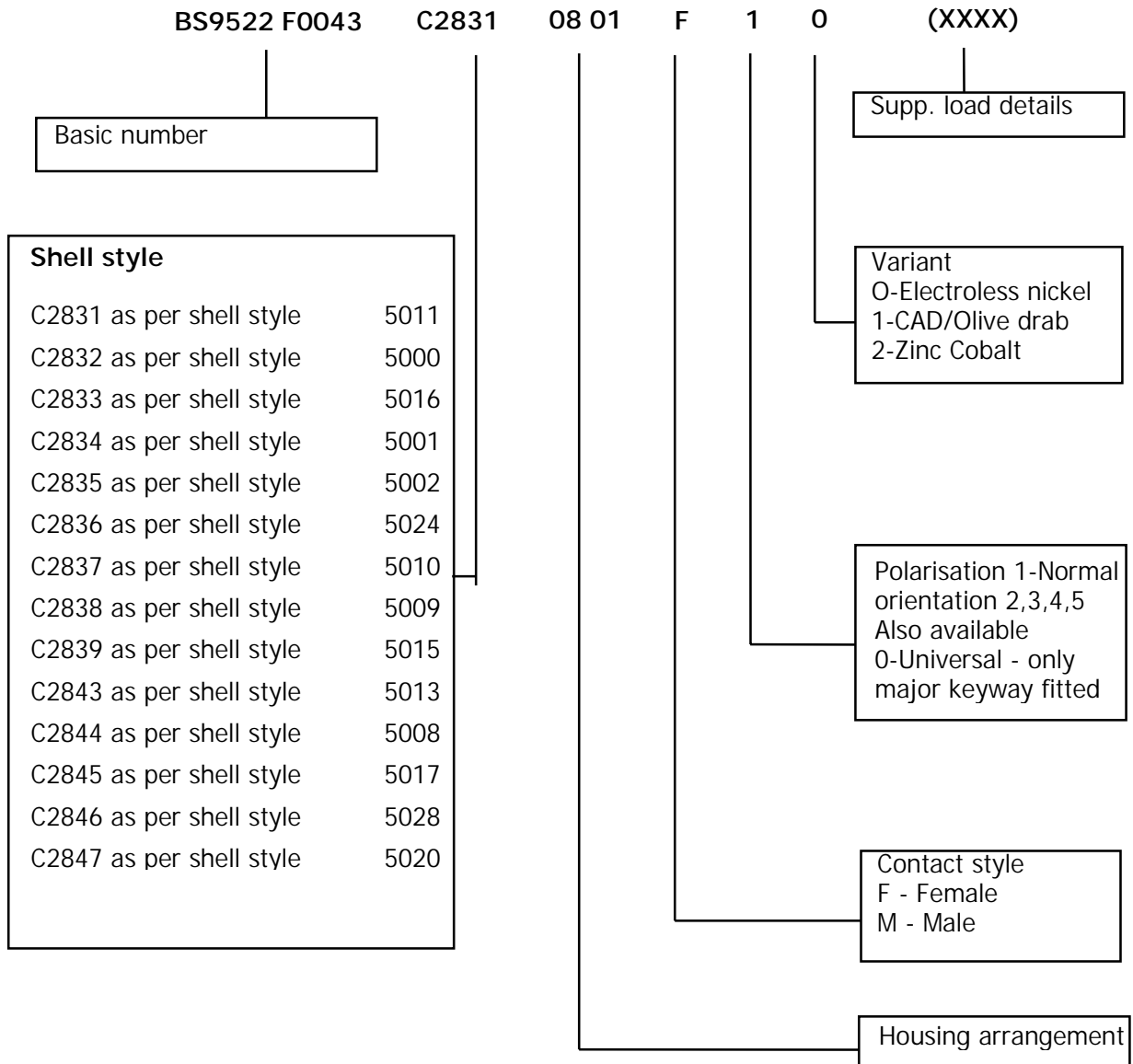
Deviation Code

- (462) Cadmium Olive drab plating
- (473) Less clinch nuts

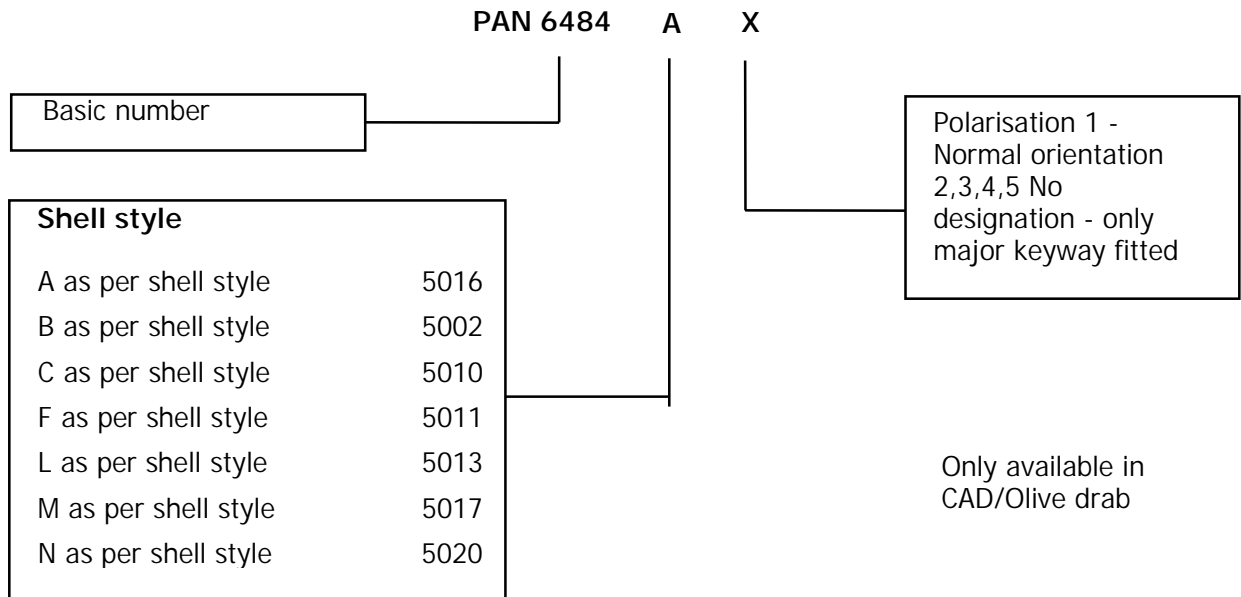
Orientation (1 for normal orientation)

Keys/Keyways 1,2,3,4 and 5)

Ordering by B.S. Part Numbers



Ordering by Pan Number



Protective Caps

Caps and Cords

711-0100-XX For use with all single way receptacles.

711-0112-XX For use with all single way plugs.

XX denotes the length of cord or chain required.

01 = 3"

02 = 3.5"

03=4"

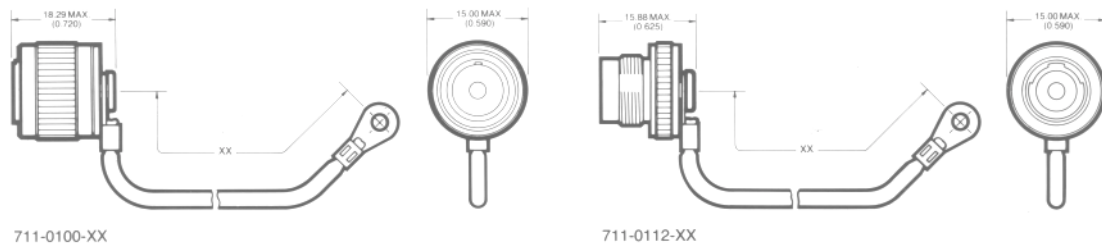
Caps and Chains

711-0121-XX For use with all single way receptacles.

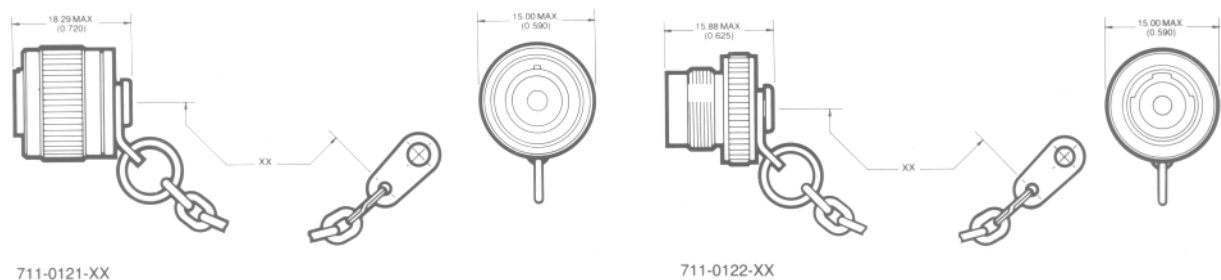
711-0122-XX For use with all single way plugs.

Use deviation (462) for Cadmium Olive drab finish.

Caps and Cords



Caps and Chains



Contacts

Contacts may be ordered separately under the following Part No.'s:

711-0013-1 - Pin contact. 711-0014-1 - Socket contact.

711-0037 -Pin contact for use with discrete wire.

Crimp Tools for 711 Series Connectors

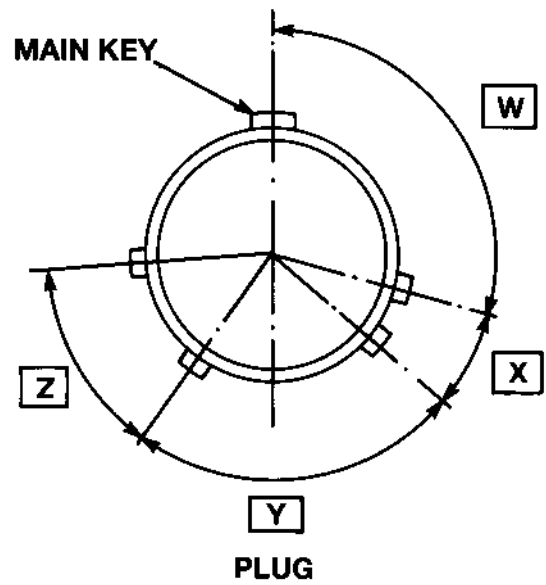
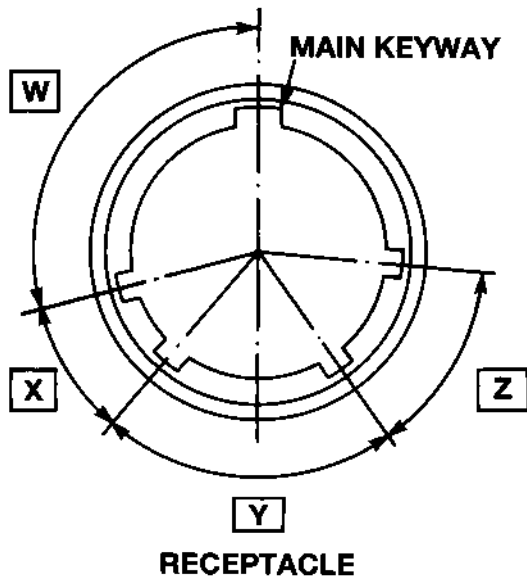
Centre contact crimp - Crimp tool M22520/2-01.

Positioner 294GB-5027-1.

Intermediate/Outer crimp - Crimp tool 227-944 (M22520/5-01).

Die Set 294GB-5026-1.

Key/Keyway Orientations



POS	ANGLES			
	W	X	Y	Z
1	105	35	75	50
2	118	30	100	30
3	82	50	75	45
4	92	35	75	50
5	118	35	75	50
0*				

Datum is always taken from major key or keyway. In receptacles the major keyway always remains fixed in relation to the mounting flange.

*0 is a universal keyway. Only the major keyway is fitted.