

Ordering Information :

1394 S 04 M V * 0
 1 2 3 4 5 6 7

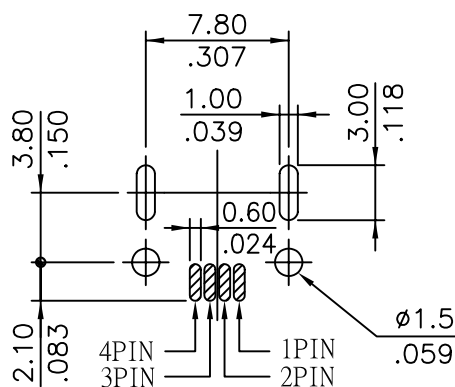
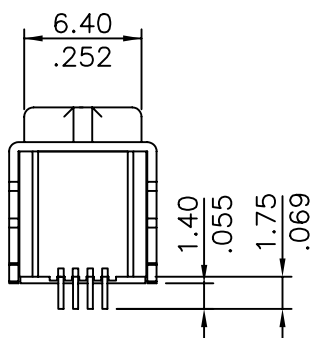
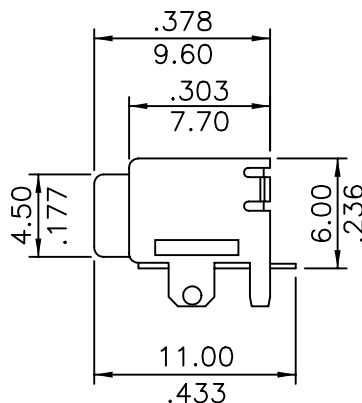
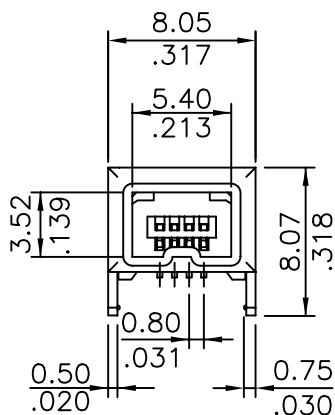
1. Series No.
2. S : Socket
3. NO. of circuits
04 : 4 PIN
4. M : SMT TYPE
5. V : 180° TYPE
H : 90° TYPE
6. Plating:

F = selective gold flash over 30~50?" nickel overall.
 J = 15?" gold plated selective over 30~50?" nickel overall.
 K = 30?" gold plated selective over 30~50?" nickel overall.

7. 0 : Standard (Color: Black, Packing : Tube)

Material :

- * Housing : PPS
- * Shell : Stell. Tin/Lead over Nickel
- * Lock : Phosphor Bronze
- * Plating: Contact Area-Tin/Lead over Nickel
Solder Tdil Area-Tin/Lead over Nickel
- * Temperature:-25 to 85 degrees C



PCB LAYOUT : SOLDER SIDE
 RECOMMENDED PCB THICKNESS:

				LECO CORPORATION		APPROVED BY:		PART NO.:			
				GENERAL TOLERANCE		CHECKED BY:		1394S04MV*0			
				x° ± 2°		DRAW BY:		TITLE:			
				.x ± 0.30 .012		Coco 03/27/'01		SOCKET			
				.x° ± 1°		UNITS		DRAWING NO.:			
				.xx ± 0.20 .008		mm		139403S			
				.xx° ± 0.5°		SCALE		REV.			
				.xxx ± 0.10 .004		2.5:1		A			
				.xxx° ± 0.1°		SIZE		1/1			
						SHEET		A			
						REV.					