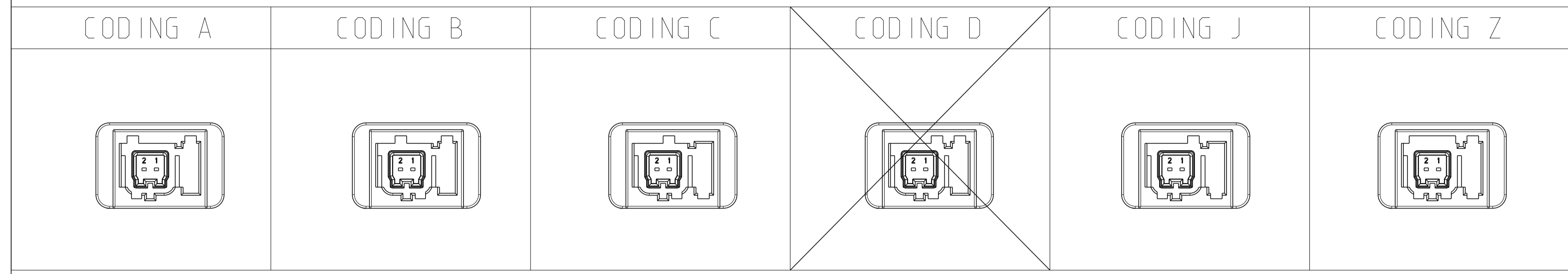
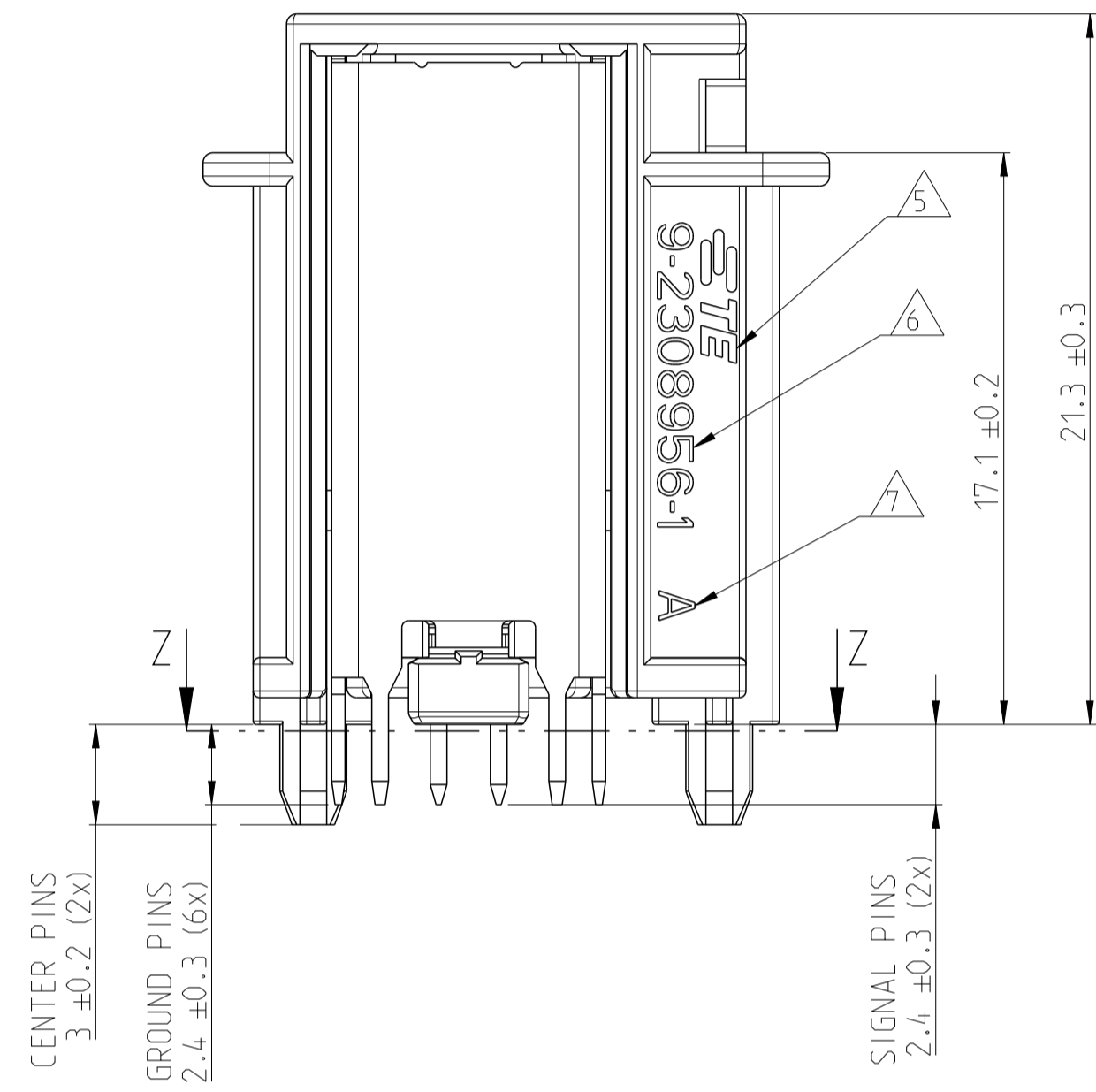
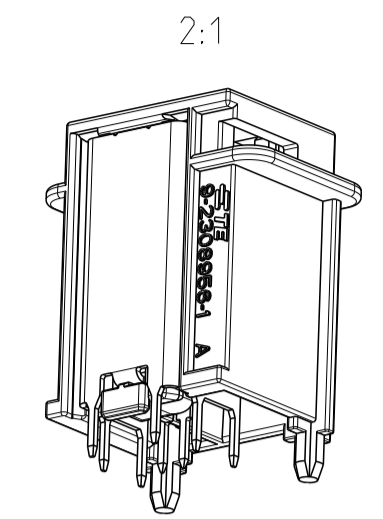


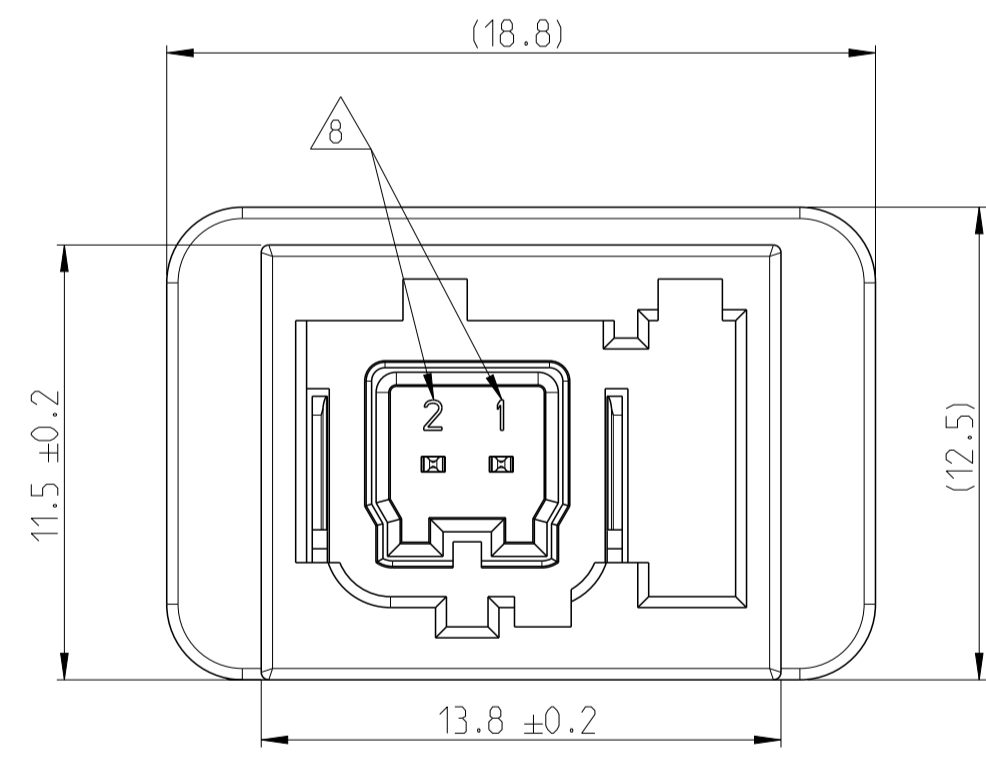
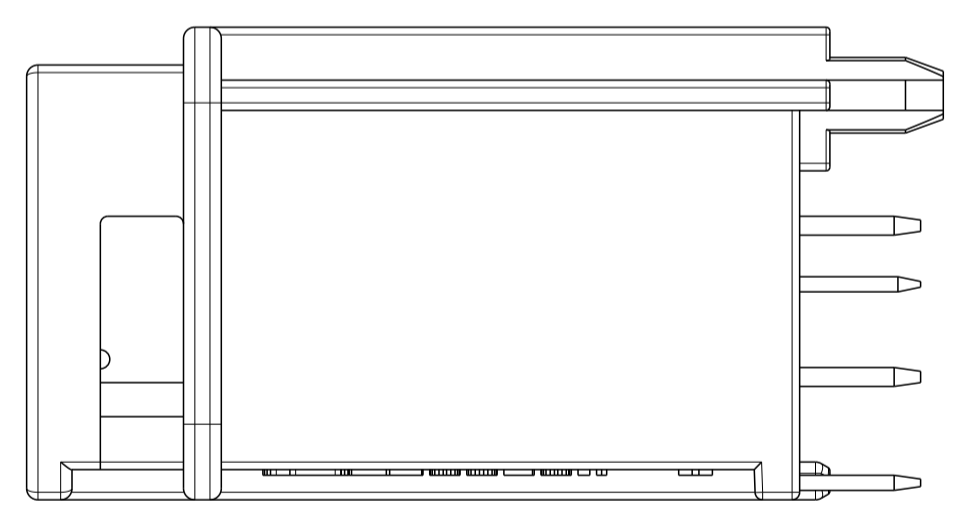
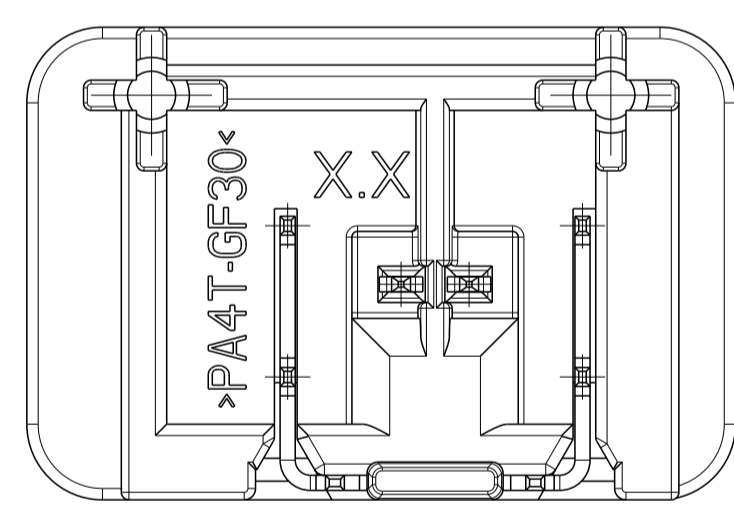
Kodierungen nach TE Schnittstellenzeichnung 208-18006 / CODINGS ACC. TE INTERFACE DRAWING 208-18006



PROJEKT NR.:		REVISIONS ÄNDERUNGEN DESCRIPTION BESCHREIBUNG			DATE	DWN	APVD
P	LTR	A	INITIAL RELEASE	15DEC2016	RW	AK	



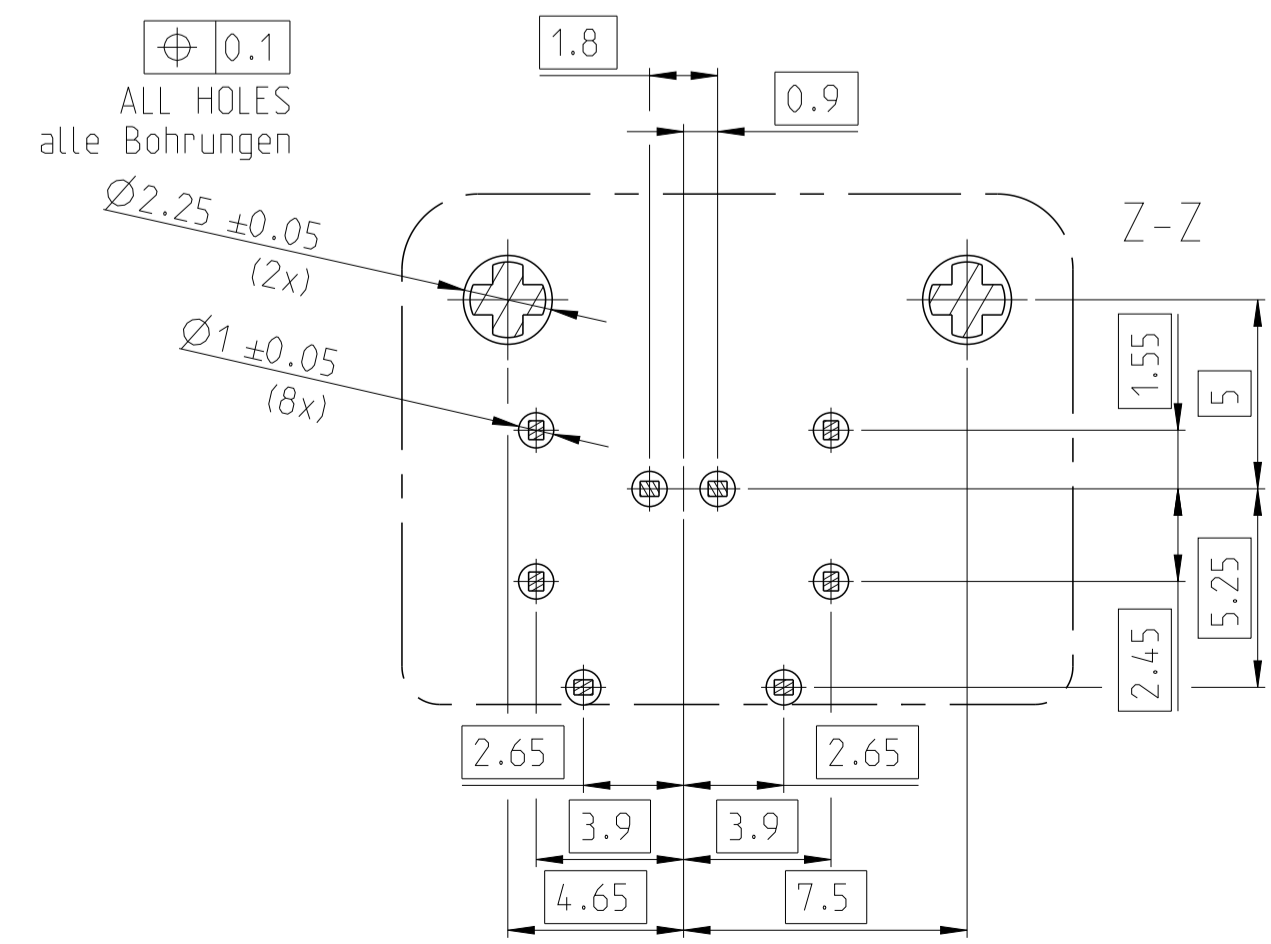
- Notizen/NOTES:
- 9-2308956-2 Kodierung B wie dargestellt
9-2308956-2 CODING B AS SHOWN
 - Fehlende Maße siehe TE-Schnittstellenzeichnung 208-18006
MISSING DIMENSIONS SEE TE-INTERFACE DRAWING 208-18006
 - Alle Abmessungen in () nur zur Information
ALL DIMENSIONS IN () FOR INFORMATION ONLY
 - Verpackung: nach Verpackungsspezifikation V2308956
Blistergurt auf Spule
PACKAGING: ACC PACKAGING INSTRUCTION V2308956
TAPE & REEL
- ⚠ TE-Logo
TE-LOGO
 - ⚠ TE Teil Number
TE Part Number
 - ⚠ Revisionsstand
PART REVISION
 - ⚠ Kontaktkammernummer
CONTACT CAVITY NUMBER



NUR FUER B-SAMPLES
 FOR PROTOTYP B-SAMPLES ONLY

TE ASSY No.	REV.	CODE	QTY.	DESCRIPTION	MATERIAL	COLOR/SURFACE	WEIGHT (g)	POS
9-2308956-9	A	Z	2	Soldering Pins for 180° MATEnet HSG.	CuMg0.1	Sn	3.7	3
			1	Sheet for 180° Header	CuSn6	Ni / Sn		2
			1	MATEnet 180° Single Port Header HSG., Code Z	PA4T-GF30	WATER BLUE		1
9-2308956-7	A	J	2	Soldering Pins for 180° MATEnet HSG.	CuMg0.1	Sn	3.9	3
			1	Sheet for 180° Header	CuSn6	Ni / Sn		2
			1	MATEnet 180° Single Port Header HSG., Code J	PA4T-GF30	BEIGE		1
9-2308956-4	A	D	2	Soldering Pins for 180° MATEnet HSG.	CuMg0.1	Sn	3.9	3
			1	Sheet for 180° Header	CuSn6	Ni / Sn		2
			1	MATEnet 180° Single Port Header HSG., Code D	Pa4T-GF30	CLARET VIOLET		1
9-2308956-3	A	C	2	Soldering Pins for 180° MATEnet HSG.	CuMg0.1	Sn	3.9	3
			1	Sheet for 180° Header	CuSn6	Ni / Sn		2
			1	MATEnet 180° Single Port Header HSG., Code C	PA4T-GF30	BLUE		1
9-2308956-2	A	B	2	Soldering Pins for 180° MATEnet HSG.	CuMg0.1	Sn	3.9	3
			1	Sheet for 180° Header	CuSn6	Ni / Sn		2
			1	MATEnet 180° Single Port Header HSG., Code B	PA4T-GF30	WHITE		1
9-2308956-1	A	A	2	Soldering Pins for 180° MATEnet HSG.	CuMg0.1	Sn	3.9	3
			1	Sheet for 180° Header	CuSn6	Ni / Sn		2
			1	MATEnet 180° Single Port Header HSG., Code A	PA4T-GF30	BLACK		1

RECOMMENDED PCB-LAYOUT
 empfohlenes Leiterkarten Layout



THIS DRAWING IS A CONTROLLED DOCUMENT. DWN: J. KIEBWEITNER 26SEP2016
 CHK: R. WUERKER 15DEC2016

DIMENSIONS: MASSENHEITEN: mm
 TOLERANCES UNLESS OTHERWISE SPECIFIED: ALL DIMENSIONS

0 PLC ±0.3
 1 PLC ±0.3
 2 PLC ±
 3 PLC ±
 4 PLC ±

MATERIAL: see table
 FINISH/OBERFLÄCHE/FARBE: see table

WEIGHT GEWICHT: see table
 CUSTOMER DRAWING: /KUNDENZEICHNUNG

APVD: A. KETTELER 16DEC2016
 PRODUCT SPEC: 108-94568
 APPLICATION SPEC: 114-94431

NAME: MATEnet 180deg Single Port Header Ass'y
 MATEnet 180deg SINGLE PORT HEADER

SIZE: A1
 CAGE CODE: 00779
 DRAWING NO: 2308956
 SCALE: 5:1

RESTRICTED TO NUR FUER: -
 SHEET BLATT: 1 OF 1
 REV: A