

5012E1339-0 ✓ ACTIVE

Raychem

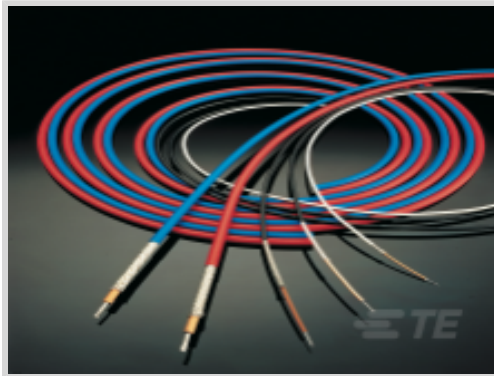
TE Internal #: 4400123001

High Speed Digital & Data Cable, Cheminax, 50 Ω , 12AWG Wire Size, Operating Temperature Range -65 – 125 $^{\circ}\text{C}$ [-85 – 257 $^{\circ}\text{F}$]

[View on TE.com >](#)



Wire & Cable > High Speed Digital & Data Cable



High Speed Digital & Data Cable Type: **Cheminax**

Impedance: **50 Ω**

Wire Size: **12 AWG**

Operating Temperature Range: **-65 – 125 $^{\circ}\text{C}$ [-85 – 257 $^{\circ}\text{F}$]**

Features

Product Type Features

High Speed Digital & Data Cable Type	Cheminax
--------------------------------------	----------

Electrical Characteristics

Impedance	50 Ω
-----------	-------------

Dimensions

Wire Size	12 AWG
-----------	--------

Usage Conditions

Operating Temperature Range	-65 – 125 $^{\circ}\text{C}$ [-85 – 257 $^{\circ}\text{F}$]
-----------------------------	--

Product Compliance

[For compliance documentation, visit the product page on TE.com>](#)

EU RoHS Directive 2011/65/EU	Compliant
EU ELV Directive 2000/53/EC	Not Yet Reviewed
China RoHS 2 Directive MIIT Order No 32, 2016	No Restricted Materials Above Threshold
EU REACH Regulation (EC) No. 1907/2006	Current ECHA Candidate List: JUN 2020 (209) Candidate List Declared Against: JAN 2020 (205) Does not contain REACH SVHC
Halogen Content	Out of Scope - excluded from Halogen requirements

Solder Process Capability

Not applicable for solder process capability

Product Compliance Disclaimer

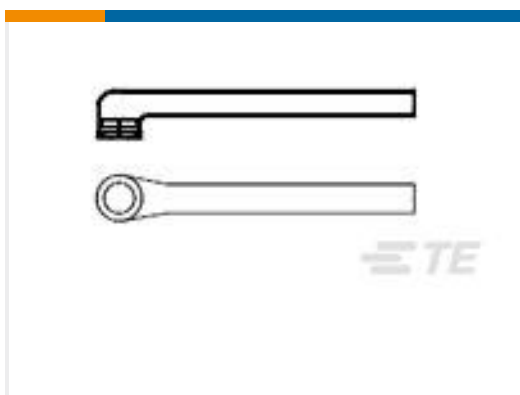
This information is provided based on reasonable inquiry of our suppliers and represents our current actual knowledge based on the information they provided. This information is subject to change. The part numbers that TE has identified as EU RoHS compliant have a maximum concentration of 0.1% by weight in homogenous materials for lead, hexavalent chromium, mercury, PBB, PBDE, DBP, BBP, DEHP, DIBP, and 0.01% for cadmium, or qualify for an exemption to these limits as defined in the Annexes of Directive 2011/65/EU (RoHS2). Finished electrical and electronic equipment products will be CE marked as required by Directive 2011/65/EU. Components may not be CE marked. Additionally, the part numbers that TE has identified as EU ELV compliant have a maximum concentration of 0.1% by weight in homogenous materials for lead, hexavalent chromium, and mercury, and 0.01% for cadmium, or qualify for an exemption to these limits as defined in the Annexes of Directive 2000/53/EC (ELV). Regarding the REACH Regulation, the information TE provides on SVHC in articles for this part number is based on the latest European Chemicals Agency (ECHA) 'Guidance on requirements for substances in articles' posted at this URL: <https://echa.europa.eu/guidance-documents/guidance-on-reach>

Compatible Parts

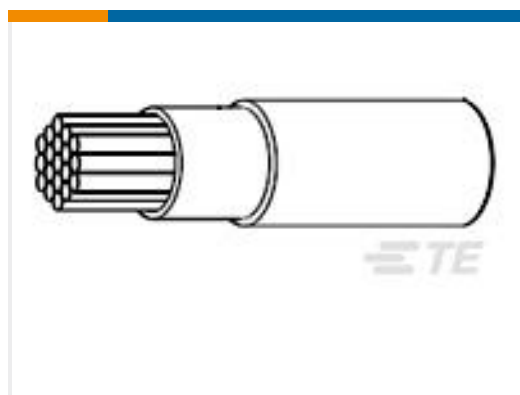


TE Model / Part # 900469-000
RBD-50-M-00

Customers Also Bought



TE Model / Part #814297-000
222D263-4-0



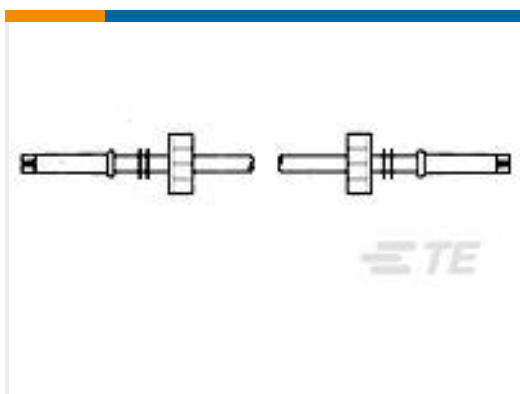
TE Model / Part #794090-000
FLDWC0311-24-9



TE Model / Part #YDIV46E25-04PAC009
PLUG ASSY



TE Model / Part #479761-000
D-128-0055



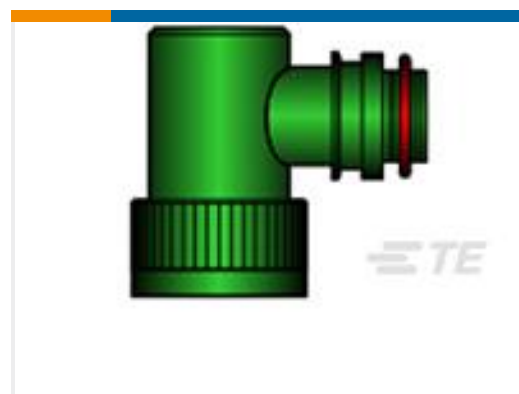
TE Model / Part #846291-7
LGH-4 DBL MOLDED END LEAD



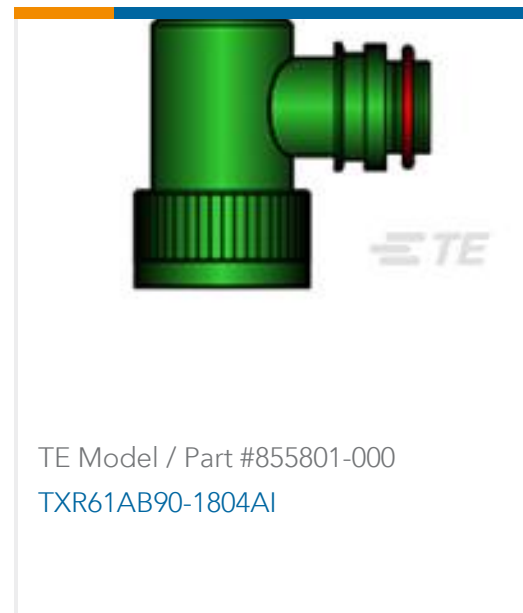
TE Model / Part #CJ5694-000
BSTS-03X25



TE Model / Part #YDL60R-18-14S8C012
RECP ASSY



TE Model / Part #534451-000
TXR21AB90-2008AI



Documents

Product Drawings

[5012E1339-0](#)

English

Datasheets & Catalog Pages

[1654025_Sec9_CheminaxCables](#)

English

[Raychem Cheminax RF Coaxial Cables and RF Connectors Selection Guide](#)

English

Product Specifications

[Product Specification](#)

English