

535-565 Series Normally Open, SMA

RF Characteristics

Frequency GHz	VSWR (max)	Isolation dB (min)	Ins. Loss dB (max)
DC-4	1.20	70	0.20
4-8	1.30	65	0.30
8-12.4	1.40	60	0.40
12.4-18	1.50	60	0.50
*18-22	1.60	50	0.60
*22-26.5	1.80	40	0.70

* "K" option only.

Specifications

Operating Voltage:

(across temperature range)
12 Vdc (11-14 Vdc)
28 Vdc (24-32 Vdc)

Coil Current (Nominal):

12 Vdc 110 mA
28 Vdc 65 mA

Switching Time:

20 mS maximum

Operating Temperature:

-25°C to +65°C (Standard)
-55°C to +85°C (Extended "T" Option)

Mechanical Life, Cycles:

1,000,000 minimum

Vibration, Operating:

10G RMS, 20-2000 Hz

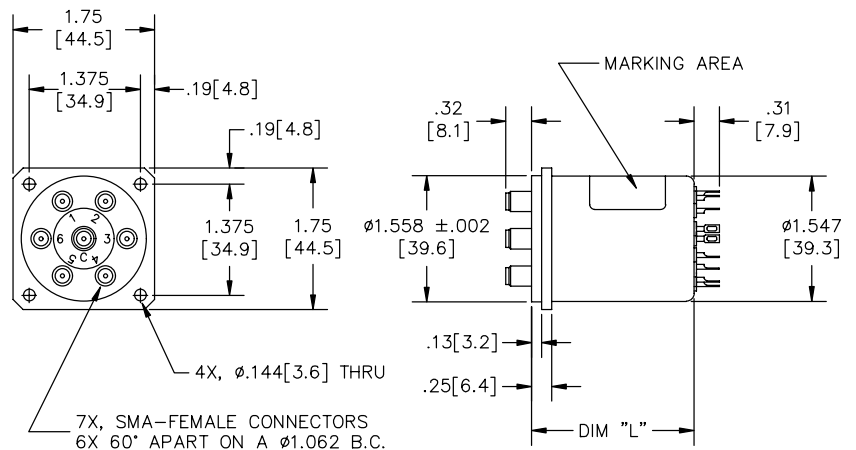
Mechanical Shock, Non-Operating:

50G, 1/2 Sine, 11mS

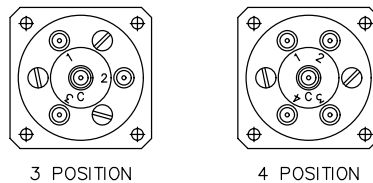
Nominal Weight:

4.0 oz., (115g.)

Mechanical



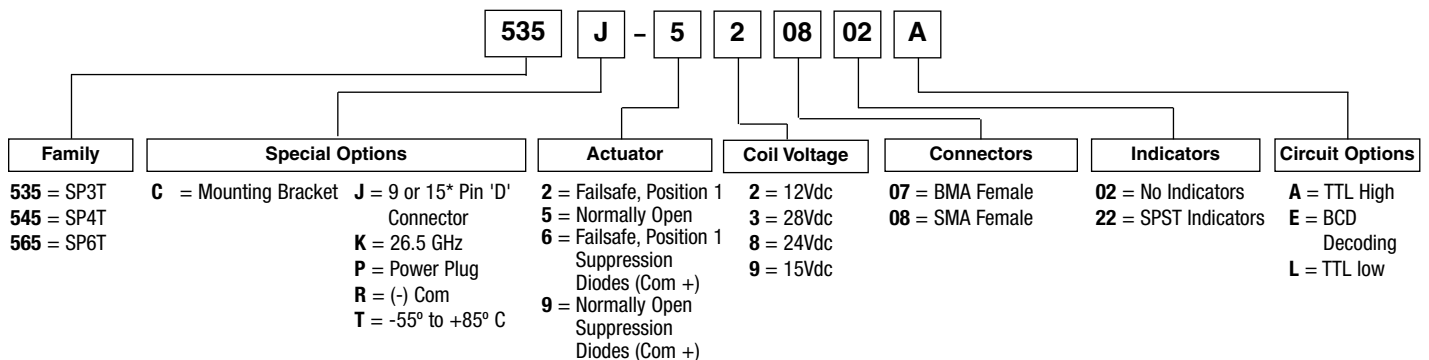
565-530822 Shown



DIM "L" (MAX)	MODEL	ELEC. SCHEM.
1.41 [35.8]	5X5-5X08	1
1.90 [48.3]	5X5-5X0822	1
1.70 [43.2]	5X5-5X0802A	2
2.08 [52.8]	5X5-5X0822A	2

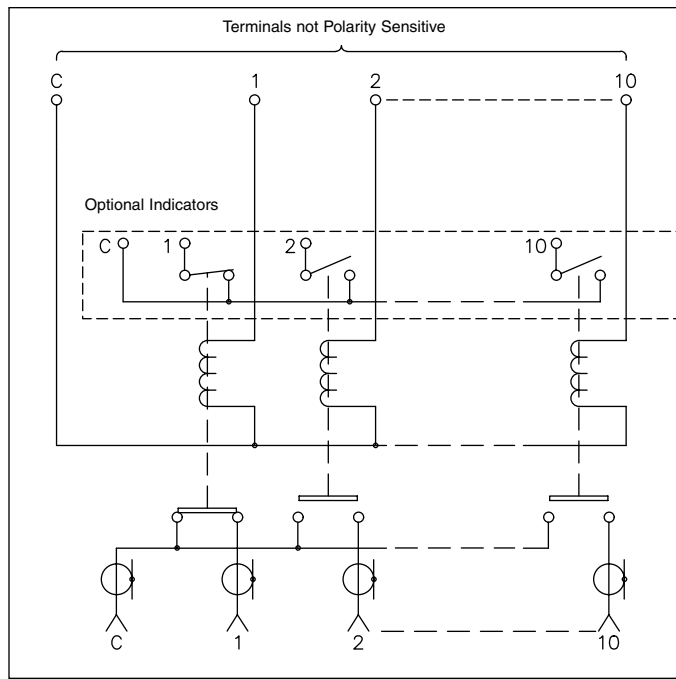
For Electrical Schematic see page # 3-9

Part Number Selection

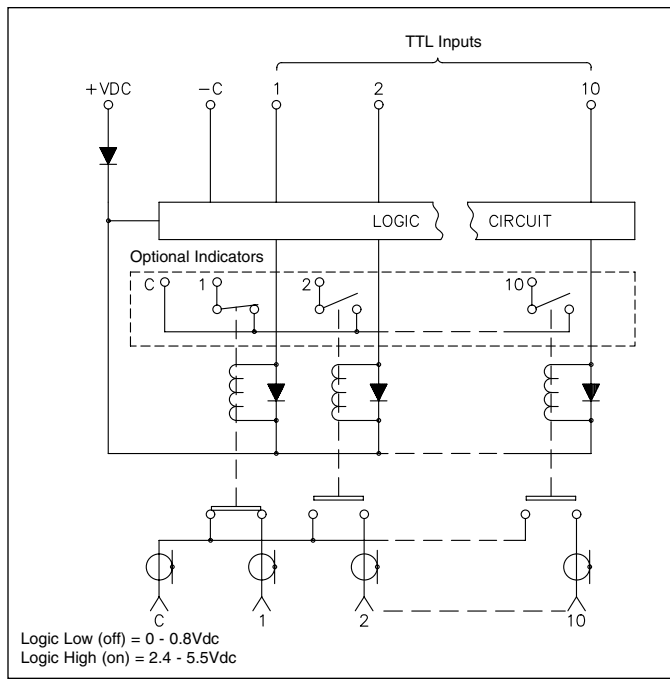




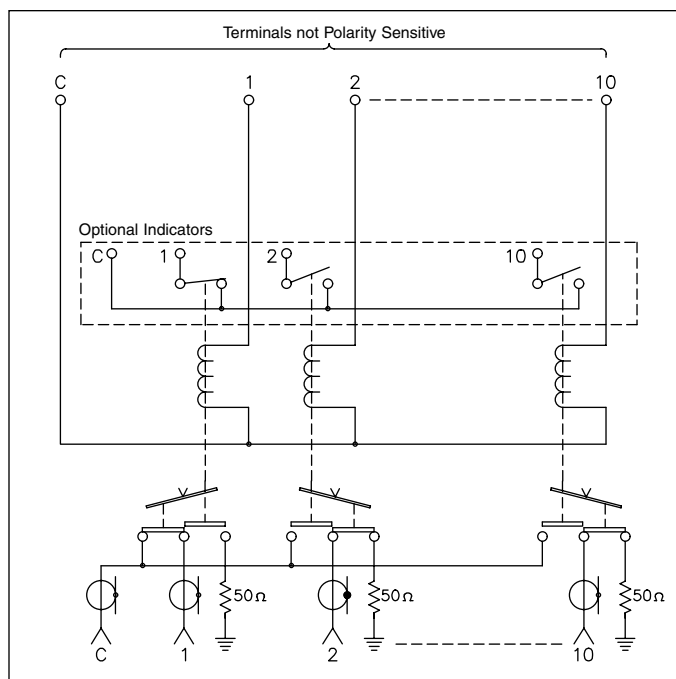
1 Normally Open



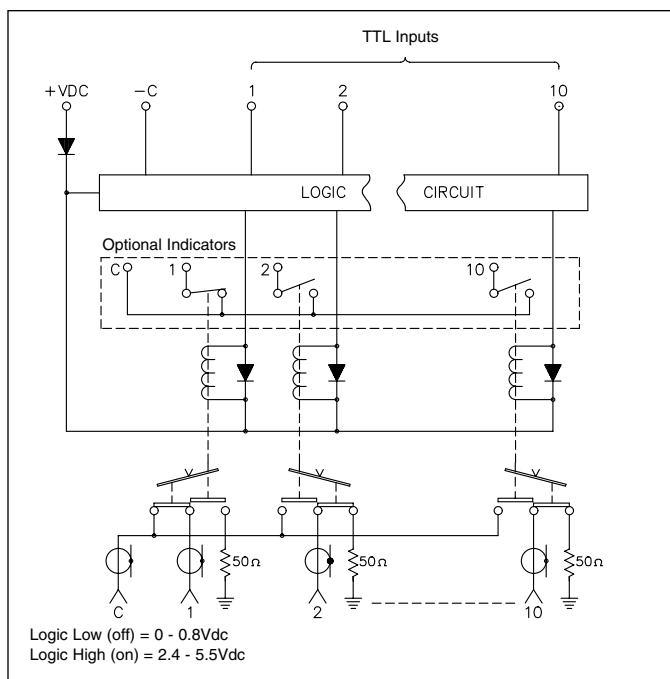
2 Normally Open TTL



3 N.O. Terminated



4 N.O. Terminated TTL



ALL SCHEMATICS SHOWN IN POSITION 1 ENERGIZED.