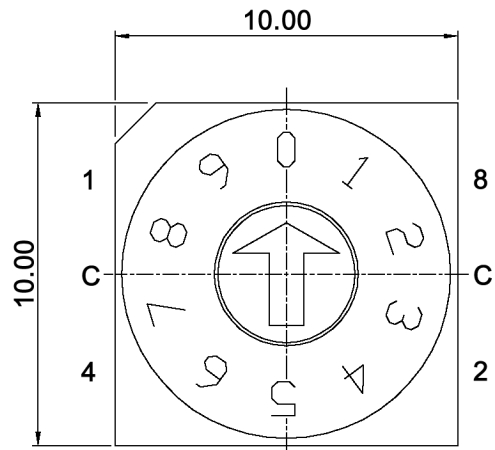
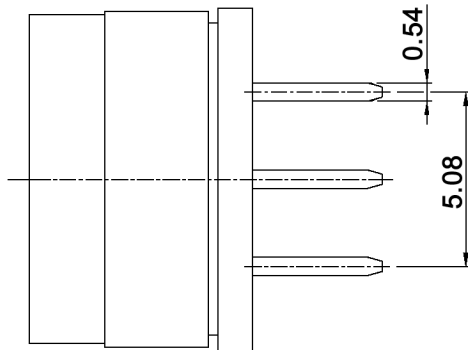
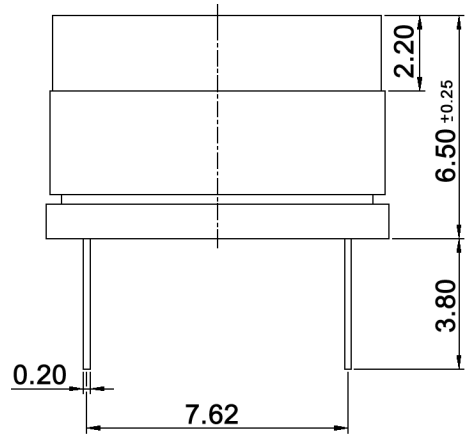
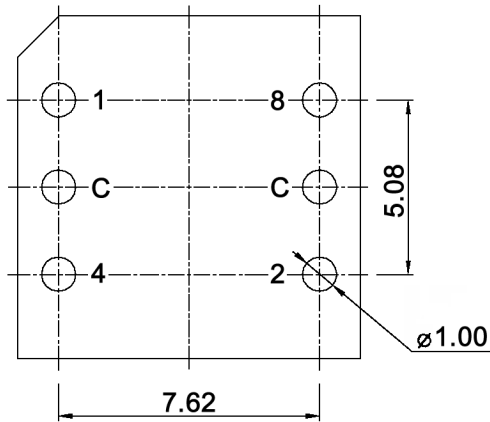


P.C.B. DIMENSION



Specifications:

- Contact rating:** switching: 25mA, 24V DC
 non-switching: 100mA, 50V DC
Contact resistance: 80mOhm max.
Insulation resistance: 100MOhm min.
Mechanical life: 10 000 cycles
Operating force: 700gf max.
Operating temperature: -40°C to +85°C
Storage temperature: -40°C to +85°C
Soldering conditions: pre-heat: max. 120°C, max. 70sec.
 wave soldering: max. 260°C, max. 10sec.
Color of actuator: grey
IP rating: IP67

BCD

		Real coded				
		C	1	2	4	8
10 P o s i t i o n s	0	●				
	1	●	●			
	2	●		●		
	3	●	●	●		
	4	●			●	
	5	●	●		●	
	6	●		●	●	
	7	●	●	●	●	
	8	●				●
	9	●	●			●



Tolerances:	Date		Name	
		04/07		dr
Soldering conditions	01/11	dr		
IP rating	07/09	dr		
Operating temperature	11/08	dr		
Coding scheme	02/08	dr		
Temperatures	01/08	dr		
Modifications	Date	Name		

DRS 60010

knitter-switch

30 11 07

Page

1/1