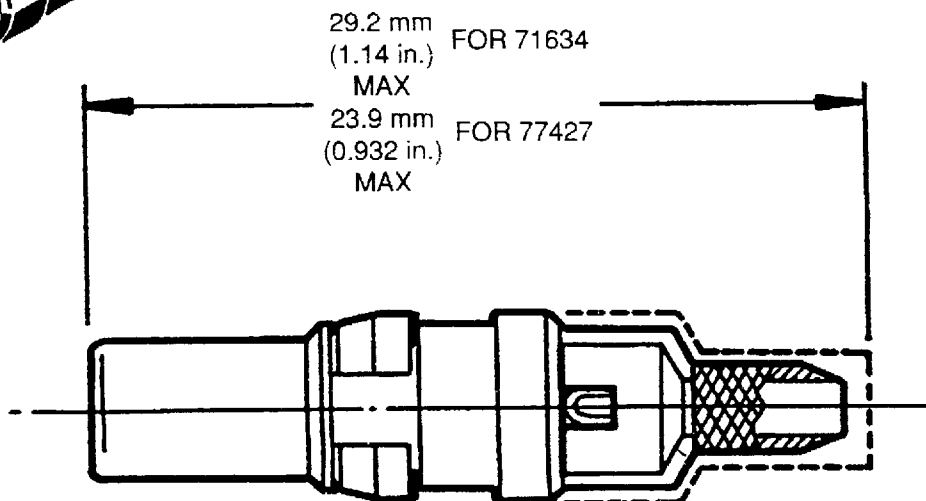
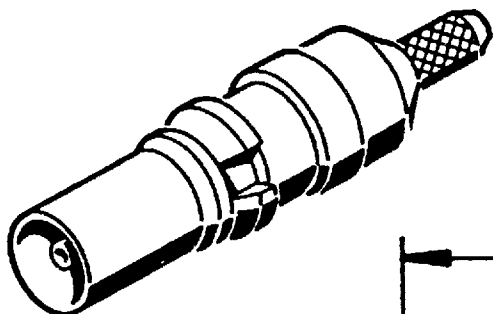


## Description

Coax receptacle insert straight crimp-to-cable

## Ordering Data

Cable Type	Cable O.D.		Part Number 50 ohm impedance	Part Number 75 ohm impedance
	mm	in.		
L910/9-/19	3.10	0.122	77427-132	71634-132
RG188A/U	2.80	0.110	77427-122	71634-122
RG174A/U	2.60	0.102	77427-122	71634-122
RG316/U	2.60	0.102	77427-122	71634-122
RG178B/U	2.00	0.079	77427-112	71634-112
RG196A/U	2.00	0.079	77427-112	71634-112
RG187A/U			77427-122	71634-122
RG179B/U			77427-122	71634-122



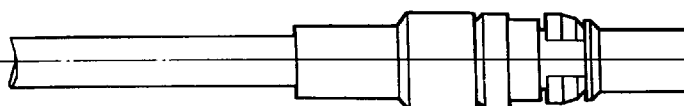
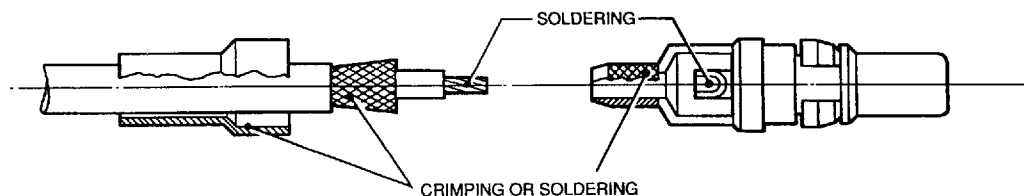
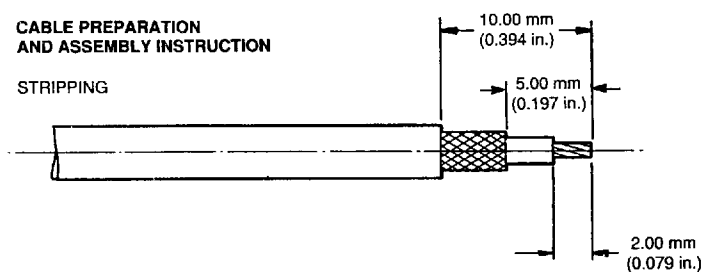
A183396-0373

Ordering data shown is for our standard product offering. For non-standard or custom products, contact your authorized Berg Electronics representative.

## Description

### CABLE PREPARATION AND ASSEMBLY INSTRUCTION

#### STRIPPING

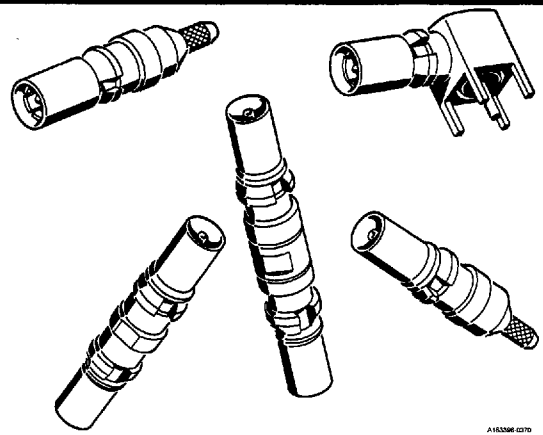


A183396-0378

# Hybrid Connectors

2.54 mm (0.100 in.) Centerlines

## DIN Coax Inserts



A18386-010

### Features

- Inserts according to DIN 41626.
- Use with DIN 41612 Series M (standard and reversed) Hybrid Connectors.
- Very low reflection coefficient.
- Inserts according to DIN 41626.
- Quality tested according to MIL-STD-202 and BS 9525 F 0011.

### Options

- 50 or 75 ohm characteristic impedance.
- Various styles and mounting options.

### Specifications

- DIN 41612 series M (standard and reversed).
- DIN 41626
- MIL-STD-202
- BS 9525 F 0011

### Application Equipment

#### Description

- HT-333 Extraction tool . . . . . 18-56
- HT-338 Coax crimp tool . . . . . 18-57

#### Page

### Technical Data

#### Material

- Shell . . . . . Copper zinc 39 Pb2
- Spring . . . . . Beryllium copper
- Insulator . . . . . PTFE Teflon
- Finish . . . . . Selective gold over nickel
- Crimp sleeve . . . . . Copper
- Clip . . . . . Beryllium copper

#### Electrical

- Characteristic Impedance . . . . . 50 Ω or 75 Ω
- Working frequency max . . . . . 30 GHz
- Optimum . . . . . 0–10 GHz

- Reflection coefficient . . . . . max 0.05 up to 1 GHz  
max 0.07 up to 4 GHz  
max 0.1 up to 10 GHz
- Peak voltage . . . . . 750 V<sup>eff</sup>
- Operating voltage . . . . . 250 V<sup>eff</sup>
- Insulation resistance . . . . . 1 x 10<sup>6</sup> MΩ

#### Operating Environment

- Temperature range . . . . . -65°C to +165°C

#### Packaging

- Bags

### Customer Support Materials

Description	Order No.	Description	Order No.
Customer Product Drawings . . . . .	By Part Number	Product Samples . . . . .	Upon Request