

1 to 12.4 GHz

PRECISION COAXIAL PHASE SHIFTERS

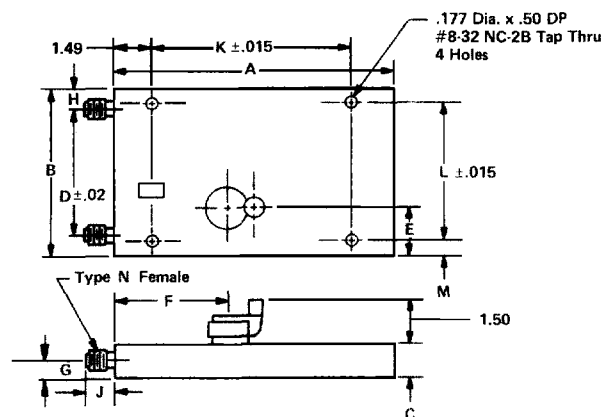
- Broadband Coverage – 180° Phase Shift at Minimum Frequency
- Low VSWR
- $\pm 0.5^\circ/\text{GHz}$ Accuracy with Digital Dial Readout

SPECIFICATIONS

FREQUENCY RANGE GHz	MODEL	MINIMUM PHASE SHIFT (Min)	POWER**		INSERTION LOSS (Max) (dB)	VSWR (Max)	ACCURACY $^\circ/\text{GHz}$	CONNECTORS	WEIGHT (Max)	
			AVG. (W)	PEAK (kW)					Lbs	Kg
1-5	3752	180° at 1 GHz	200	5	0.5	1.25	± 0.5	N	4.5	2.05

FREQUENCY RANGE GHz	MODEL	MINIMUM PHASE SHIFT (Min)	POWER**		INSERTION LOSS (Max) (dB)	VSWR (Max)		ACCURACY $^\circ/\text{GHz}$	CONNECTORS	WEIGHT (Max)	
			AVG. (W)	PEAK (kW)		3.5-10	10-12.4			Lbs	Kg
3.5-12.4	3753B	180° AT 3.5 GHz	200	5	0.7	1.35	1.4	± 0.5	N	3.3	1.5

OUTLINE DRAWINGS



All dimensions are Max. unless otherwise specified.

MODEL	A	B	C	D $\pm .02$	E	F	G	H	J	K $\pm .015$	L $\pm .015$	M
3752	9.03	5.53	1.12	4.13	1.56	3.75	.56	.68	0.75	6.00	5.13	.18
3753B	6.72	4.69	1.28	3.50	1.59	1.13	.75	.58	1.22	4.50	4.31	.17