

218 Series

5x20 mm, Time-Lag Fuse



Description

The 218 series fuse is a 5x20mm time-lag glass body cartridge fuse designed to IEC specification.

Features & Benefits

- Designed to International IEC Standards for use globally
- Meets the IEC 60127-2, Sheet 3 specification for Time-Lag fuses
- Available in cartridge and axial lead form
- RoHS compliant and lead-free

Web Resources



Download ECAD models, order samples, and find technical resources at www.littelfuse.com

Applications

Used as supplementary protection in appliance or utilization equipment to provide individual protection for components or internal circuits.

Agency Approvals

Agency	Agency File Number	Ampere Range	
	Cartridge: NBK090205-E10480A NBK120802-E10480C	1A – 5A 6.3A – 15A	
	Leaded: NBK090205-E10480B NBK120802-E10480D	1A – 5A 6.3A – 15A	
		2020970207000065	0.032A – 6.3A
		SU05001-3005 SU05001-2008 SU05001-2009	0.032A – 0.040A 0.050A – 0.800A 1A – 10A
	E10480	0.032A – 16A	
	29862	0.032A - 10A; 15A	
	2300869	0.032A – 6.3A	
	40013496	0.032A – 10A	
	40016604	15A*	
	KM41462	0.080A – 6.3A	
	N/A	0.032A – 16A	

* - Approval for Cartridge versions only

Electrical Characteristics

% of Ampere Rating	Ampere Rating	Opening Time
150%	0.032A - 0.100A	60 minutes, Minimum
	0.125A - 6.3A	60 minutes, Minimum
	8A - 16A	30 minutes, Minimum
210%	0.032A - 0.100A	120 sec., Maximum
	0.125A - 6.3A	120 sec., Maximum
	8A - 16A	120 sec., Maximum
275%	0.032A - 0.100A	200 ms., Min.; 10 sec. Max.
	0.125A - 6.3A	600 ms., Min.; 10 sec. Max.
	8A - 16A	600 ms., Min.; 10 sec. Max.
400%	0.032A - 0.100A	40 ms., Min.; 3 sec. Max.
	0.125A - 6.3A	150 ms., Min.; 3 sec. Max.
	8A - 16A	150 ms., Min.; 3 sec. Max.
1000%	0.032A - 0.100A	10 ms., Min.; 300 ms. Max.
	0.125A - 6.3A	20 ms., Min.; 300 ms. Max.
	8A - 16A	20 ms., Min.; 300 ms. Max.

218 Series

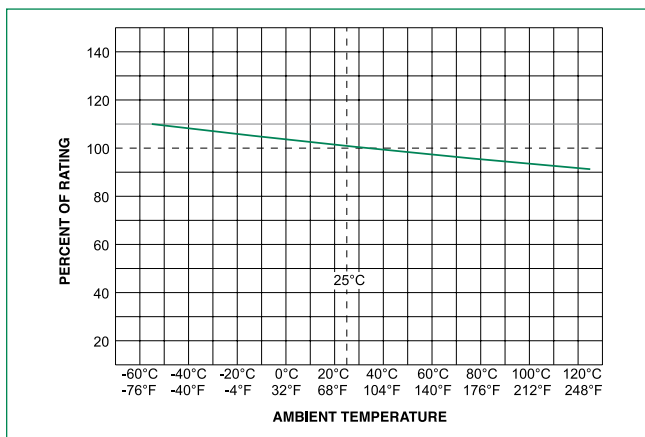
5x20 mm, Time-Lag Fuse

Electrical Characteristics

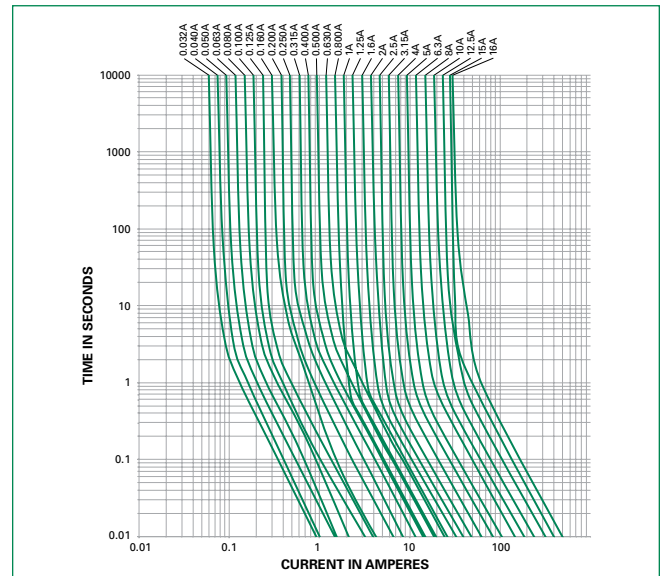
Amp Code	Amp Rating (A)	Voltage Rating (V)	Interrupting Rating	Nominal Cold Resistance (Ohms)	Nominal Melting I ² t (A ² sec)	Maximum Voltage Drop at Rated Current (mV)	Maximum Power Dissipation At 1.5In(W)	Agency Approvals								
								UL	IEC	CCC	PS E	RU	SP	S	CE	D'E
.032	0.032	250	35 A @ 250 VAC	48.258	0.011	5000	1.6	-	x	x	-	x	x	x	x	x
.040	0.04	250		31.862	0.011	4000	1.6	-	x	x	-	x	x	x	x	x
.050	0.05	250		21.292	0.027	3500	1.6	-	x	x	-	x	x	x	x	x
.063	0.063	250		14.268	0.046	3000	1.6	-	x	x	-	x	x	x	x	x
.080	0.08	250		9.07	0.075	2500	1.6	x	x	x	-	x	x	x	x	x
.100	0.1	250		6.018	0.079	2000	1.6	x	x	x	-	x	x	x	x	x
.125	0.125	250		4.2	0.1465	1900	1.6	x	x	x	-	x	x	x	x	x
.160	0.16	250		3.7	0.144	1500	1.6	x	x	x	-	x	x	x	x	x
.200	0.2	250		1.6	0.341	1300	1.6	x	x	x	-	x	x	x	x	x
.250	0.25	250		1.0495	0.5405	1100	1.6	x	x	x	-	x	x	x	x	x
.315	0.315	250		0.8475	1.11	1000	1.6	x	x	x	-	x	x	x	x	x
.400	0.4	250		0.535	1.325	900	1.6	x	x	x	-	x	x	x	x	x
.500	0.5	250		0.37	2.825	300	1.6	x	x	x	-	x	x	x	x	x
.630	0.63	250		0.275	4.675	250	1.6	x	x	x	-	x	x	x	x	x
.800	0.8	250		0.0813	3.37	150	1.6	x	x	x	-	x	x	x	x	x
001.	1	250		0.0613	6.73	150	1.6	x	x	x	x	x	x	x	x	x
1.25	1.25	250		0.0446	12.65	150	1.6	x	x	x	x	x	x	x	x	x
01.6	1.6	250		0.0336	23.35	150	1.6	x	x	x	x	x	x	x	x	x
002.	2	250		0.0293	14.45	150	1.6	x	x	x	x	x	x	x	x	x
02.5	2.5	250		0.0219	23.25	120	1.6	x	x	x	x	x	x	x	x	x
3.15	3.15	250	0.0173	38.15	100	1.6	x	x	x	x	x	x	x	x	x	
004.	4	250	40 A @ 250 VAC	0.0129	69.1	100	1.6	x	x	x	x	x	x	x	x	
005.	5	250	50 A @ 250 VAC	0.0104	111.0	100	1.6	x	x	x	x	x	x	x	x	
06.3	6.3	250	63 A @ 250 VAC	0.0076	198.5	100	1.6	x	x	x	x	x	x	x	x	
008.	8	250	80 A @ 250 VAC	0.0059	341.5	100	4	-	x	-	x	x	x	-	x	x
010.	10	250	100 A @ 250 VAC	0.0045	568.0	100	4	-	x	-	x	x	x	-	x	x
12.5	12.5	250	63 A @ 250 VAC	0.0034	889.0	100	4	-	-	-	x	x	-	-	x	-
015.	15	250	100 A @ 250 VAC	0.0028	1405.00	100	4	-	-	-	x	x	x	-	x	x*
016.	16	250	63 A @ 250 VAC	0.0021	1955.00	100	4	-	-	-	-	x	-	-	x	-

* - Approval for cartridge versions only

Temperature Re-rating Curve



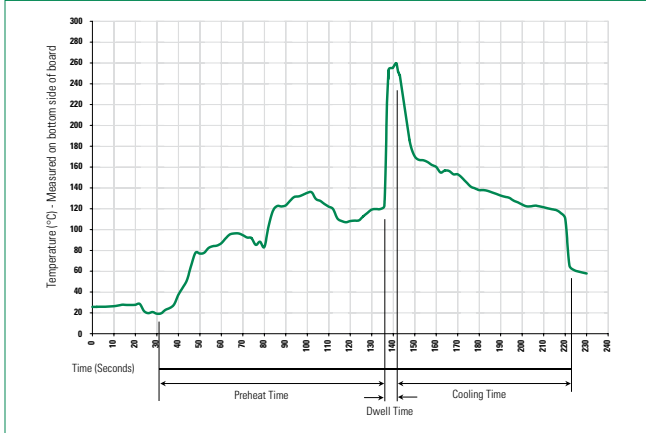
Average Time Current Curves



218 Series

5x20 mm, Time-Lag Fuse

Soldering Parameters - Wave Soldering



Recommended Process Parameters:

Wave Parameter	Lead-Free Recommendation
Preheat: (Depends on Flux Activation Temperature)	(Typical Industry Recommendation)
Temperature Minimum:	100°C
Temperature Maximum:	150°C
Preheat Time:	60-180 seconds
Solder Pot Temperature:	260°C Maximum
Solder Dwell Time:	2-5 seconds

Recommended Hand-Solder Parameters:

Solder Iron Temperature: 350°C +/- 5°C Heating Time: 5 seconds max.

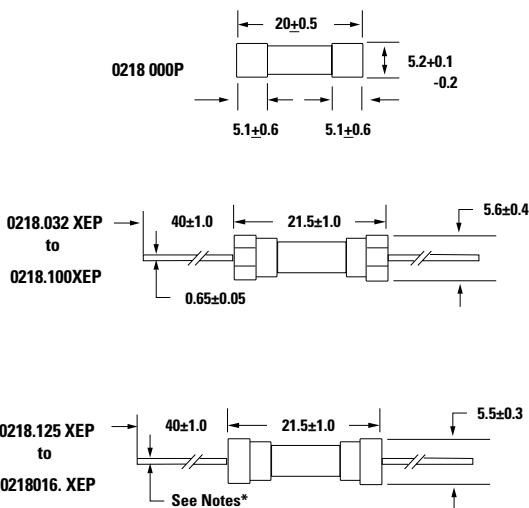
Note: These devices are not recommended for IR or Convection Reflow process.

Product Characteristics

Material	Body: Glass Cap: Nickel-plated Brass Leads: Tin-plated Copper
Terminal Strength	MIL-STD-202, Method 211, Test Condition A
Solderability	MIL-STD-202, Method 208
Product Marking	Cap1: Brand logo, current and voltage ratings Cap2: Agency approval marks
Packaging	Available in Bulk (M=1000 pcs/pkg) or on Tape/Reel (MRET1=1000 pcs/reel)

Operating Temperature	-55°C to +125°C
Thermal Shock	MIL-STD-202, Method 107, Test Condition B (5 cycles, -65°C to +125°C)
Vibration	MIL-STD-202, Method 201
Humidity	MIL-STD-202, Method 103, Test Condition A (High RH (95%) and elevated temperature (40°C) for 240 hours)
Salt Spray	MIL-STD-202, Method 101, Test Condition B

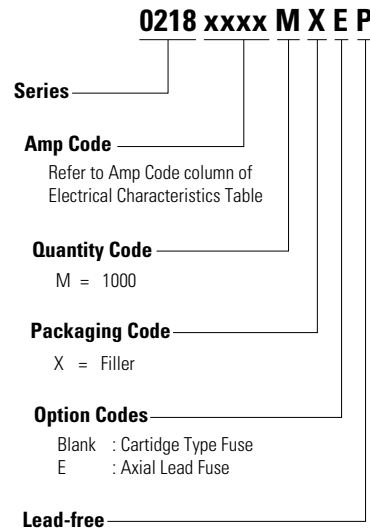
Dimensions



Notes:
* 0.032A-6.3A have 0.65±0.05 diameter lead.
8A-16A have 0.8±0.05 diameter lead.

All dimensions in mm

Part Numbering System



218 Series

5×20 mm, Time-Lag Fuse

Packaging

Packaging Option	Packaging Specification	Quantity	Quantity & Packaging Code	Taping Width
218 Series				
Bulk	N/A	1000	MX	N/A
Bulk	N/A	1000	MXE	N/A
Reel and Tape	EIA 296-E	1000	MRET1	T1=53mm (2.087")
Bulk	N/A	1000	MXG	N/A
Bulk	N/A	1000	MXB	N/A
Bulk	N/A	100	HX	N/A

Recommended Accessories

Accessory Type	Series	Description	Max Application Voltage	Max Application Amperage
Holder	345_ISF	Panel Mount Shock-Safe Fuseholder	250	20
	345	Shock-Safe Fuseholder with PC Mount, Solder Mount and Panel Mount options		20
	830	PC Mount Shock-Safe Miniature Fuseholder		16
Block	520	Metric OMNI-BLOK® Fuse Block		10
	646	PC Mount Miniature Fuse Block		6.3
	658	Surface Mount Miniature Fuse Block		10
Clip	520_W	PC Mount Miniature Fuse Clip		6.3
	111	PC Board Mount Fuse Clip		10
	445	PC Board Mount Fuse Clip		10

Notes:

- Do not use in applications above rating.
- Please refer to fuseholder data sheet for specific re-rating information.
- Please contact factory for applications greater than the max voltage and amperage shown.

Disclaimer Notice - Information furnished is believed to be accurate and reliable. However, users should independently evaluate the suitability of and test each product selected for their own applications. Littelfuse products are not designed for, and may not be used in, all applications. Read complete Disclaimer Notice at: www.littelfuse.com/disclaimer-electronics.