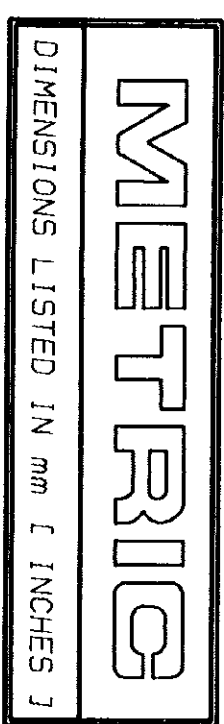
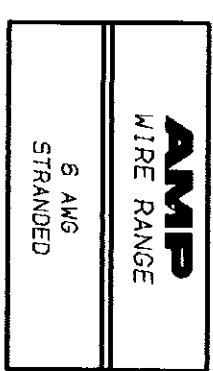


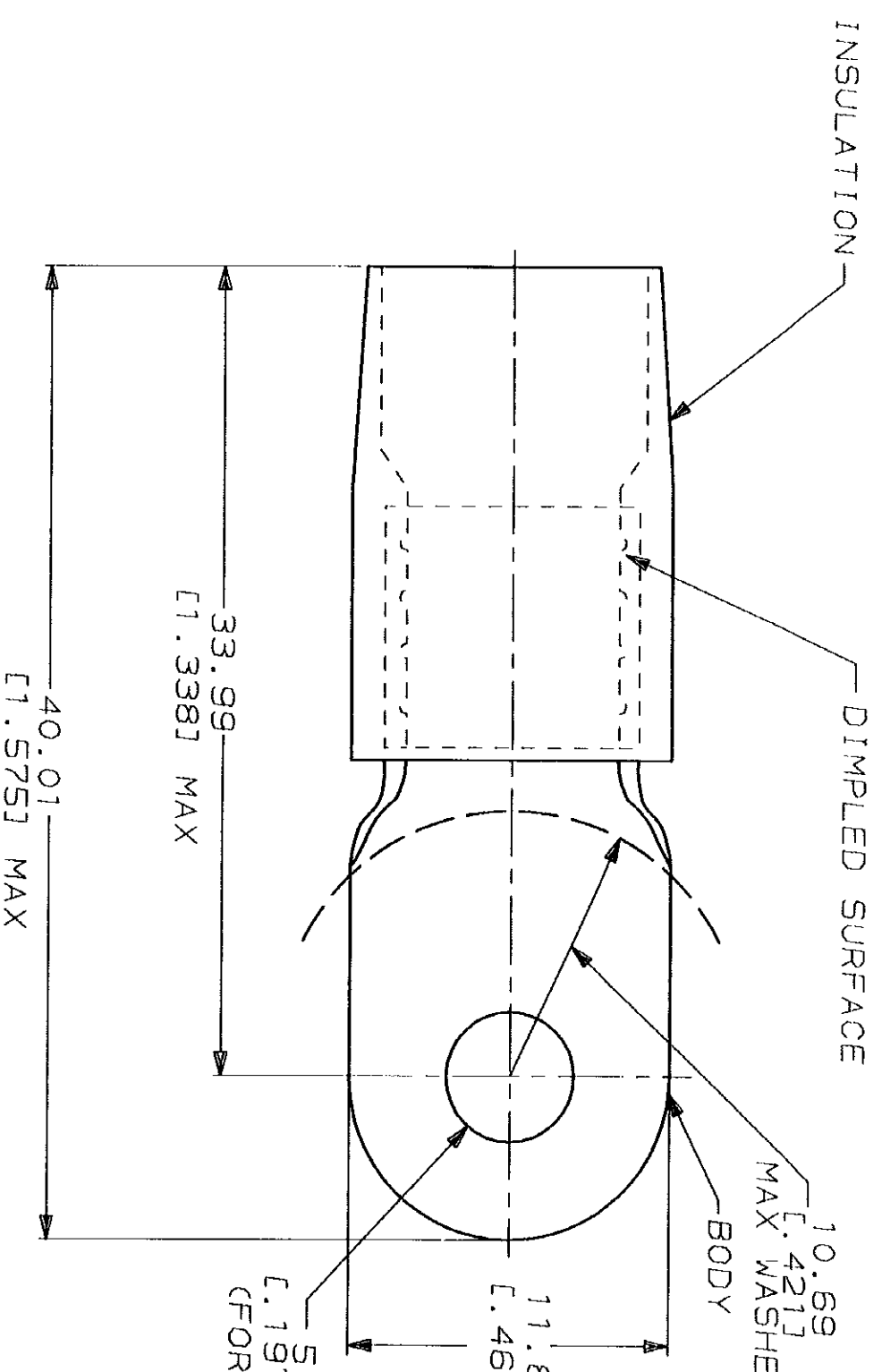
THIS DRAWING IS UNPUBLISHED. RELEASED FOR PUBLICATION BY AMP INCORPORATED. ALL INTERNATIONAL RIGHTS RESERVED. © COPYRIGHT 1993

LOC	DIST	P	F	ZONE	LTR	DESCRIPTION	DATE	APPD
G	14			G	EC	0720-0279-93	6-18-93	SSB BB

REVISIONS



1. TONGUE MATERIAL THK 1.14±0.08 [0.045±.003]
 FOR 7.98 [0.314] MAX WIRE INS DIA



AMP INCORPORATED
 CUSTOMER SERVICE SYSTEMS

FOR ADDITIONAL PRODUCT INFORMATION OR COPIES OF DRAWINGS AND TECHNICAL DOCUMENTS	1-800-522-6752	PRODUCT INFORMATION CENTER
FOR APPLICATION TOOLING INFORMATION	1-800-722-1111	TOOLING ASSISTANCE CENTER
FOR ORDER ENTRY	1-800-526-5142	

MAX RECOMMENDED OPERATING TEMPERATURE: 105°C

VOLTAGE RATING: -

CIRCULAR MIL AREA: 10.5-16.8mm² [20,800-33,100] STRANDED

THIS DRAWING IS A CONTROLLED DOCUMENT FOR AMP INCORPORATED. IT IS SUBJECT TO CHANGE AND THE CONTROLLING ENGINEERING ORGANIZATION SHOULD BE CONTACTED FOR THE LATEST REVISION.

MS25036-119
 CLASS 2

MILITARY P/N AND CLASS

DO NOT SCALE PRINT. UNLESS SPECIFIED OTHERWISE, DIMENSIONS IN MILLIMETERS. TOLERANCES ON: 2 PLC DEC # 0.20 [0.008] ANGLES

MATERIAL: COPPER PER ASTM B-152 NYLON (MIL-M-20693) TYPE 1 COLOR: BLUE FINISH

TIN PLATE PER MIL-T-10727

LOOSE PC 324046
 PACKAGE TYPE PART NO

AMP AMP Incorporated
 Harrisburg, PA 17105-3608

TERMINAL, RING TONGUE, TERMINYL
 WIRE SIZE: 6 AWG

SIZE CAGE CODE DRAWING NO
 B 00779 C-324046
 SCALE NTS SHEET 1 OF 1

Mouser Electronics

Authorized Distributor

Click to View Pricing, Inventory, Delivery & Lifecycle Information:

[TE Connectivity:](#)

[MS25036-119](#)