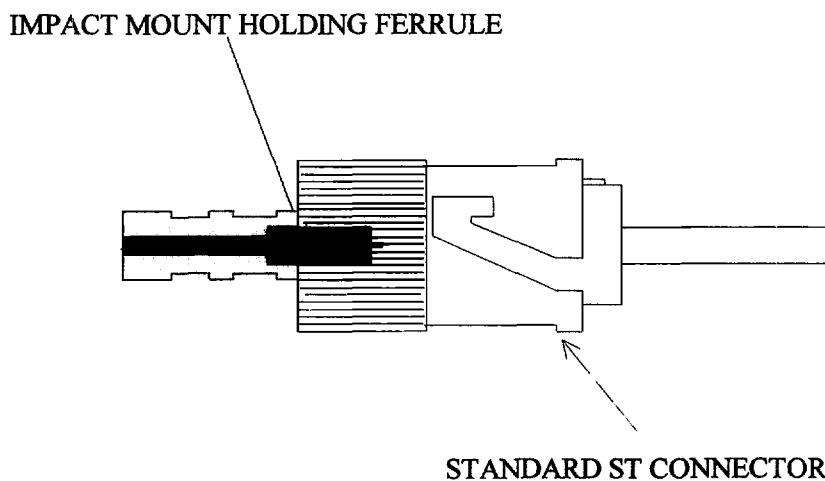


**AMPHENOL® *IMPACT MOUNT™* TECHNOLOGY**  
FOR  
**EPOXYLESS FIBER OPTIC CONNECTORS**

**ECONOMY MIL-ST-21 CONNECTOR**



---

**FEATURES AND BENEFITS**

- Epoxyless connector ideal for both single fiber and fiber bundle applications
- Compatible with all silica and plastic fibers
- Field installable for quick repair and maintenance
- Superior performance in high temperature environments
- Ideal for high energy laser delivery applications
- Ideal for fluorescent applications - eliminates UV "noise"
- Vibration resistant
- Radiation resistant
- Eliminates gap between fiber tip and connector
- Single connector handles a range of fiber sizes
- Miniaturization capability
- Epoxyless miniature lens mounting capability
- Standard and custom-designed connectors readily available
- Easy installation, no intensive training required
- Termination kit includes basic Impact Mount™ Tool and Crimp Tool plus other standard accessories

## APPLICATIONS

### Military :

- Avionics
- Data Communication
- Telecommunications
- Aerospace

### Industrial :

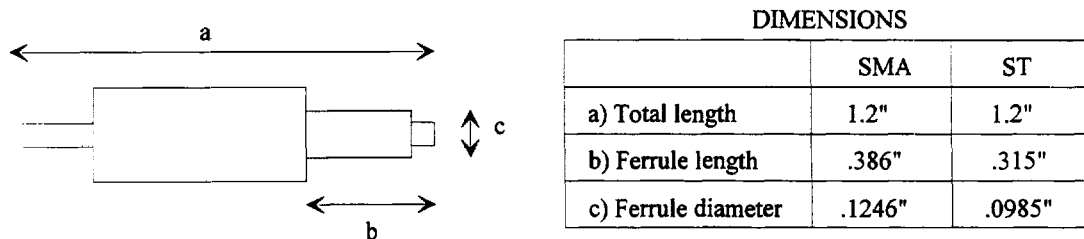
- Avionics
- Automobiles
- Test Equipment
- Illuminations
- Sensors

## TECHNOLOGY CONCEPT

The mounting process is accomplished by:

- 1) Mounting of holding ferrule
  - a. Crimp buffer at the rear of the holding ferrule.
  - b. Impact Mount fiber at the tip of holding ferrule.
- 2) Crimping of the holding ferrule at the rear of the connector.

\* Additional crimping for Kevlar cables provides further stability and strength



DIMENSIONS

	SMA	ST
a) Total length	1.2"	1.2"
b) Ferrule length	.386"	.315"
c) Ferrule diameter	.1246"	.0985"

## SPECIFICATION

	MINIMUM	TYPICAL	MAXIMUM
OPERATING TEMPERATURE	- 40 C	25 C	75 C
INSERTION LOSS	--	0.6 dB	1.0 dB
TENSILE LOAD	--	5 lb	15 lb

## ORDERING INFORMATION

TYPE	SIZE NO.	FIBER O.D. RANGE	TYPE	SIZE NO.	FIBER O.D. RANGE
AIT/	006	125 - 150 um	AIT/	024	475 - 600 um
AIT/	008	150 - 200 um	AIT/	030	575 - 750 um
AIT/	011	200 - 275 um	AIT/	040	750 - 1000 um
AIT/	013	250 - 325 um	AIT/	063	1000-1500 um
AIT/	017	300 - 425 um	AIT/	074	1500-1850 um
AIT/	020	400 - 500 um	AIT/	080	1850-2000 um

Example: AIT/MIL-ST-21/006 = ST connector for fiber size of O.D. 125 to 150 microns.

Note: Connector termination requires Amphenol *Impact Mount™* Kit. (AIT/Kit™)