

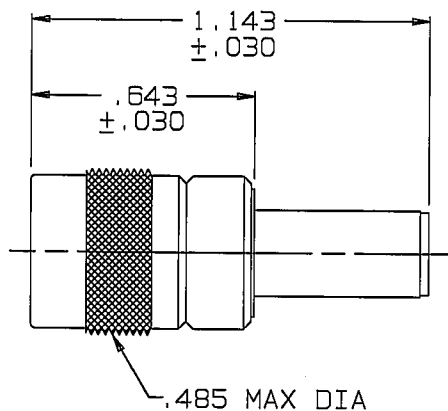
# RED INDICATES ORIGINAL

DATA CONTAINED IN THIS DOCUMENT IS PROPRIETARY TO TROMPETER ELECTRONICS INC. AND SHALL NOT BE DISCLOSED, COPIED OR USED FOR PROCUREMENT OR MANUFACTURE WITHOUT EXPRESS WRITTEN PERMISSION.

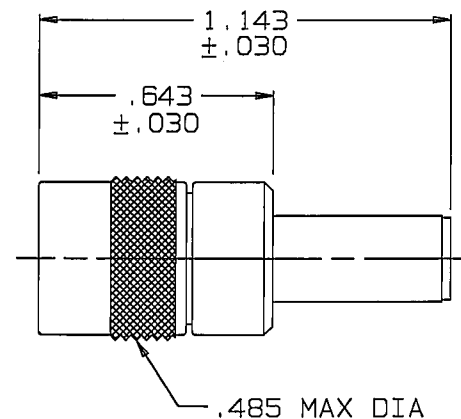
REVISIONS			105-1933	SH 1C	
REV	ECO	DESCRIPTION	DWN	APPROVED	DATE
C	13332	CHANGE NOTES <span style="border: 1px solid black; padding: 2px;">4</span> AND <span style="border: 1px solid black; padding: 2px;">5</span> ; SEE ECO	DKC		4/6/00

DASH NO	CONNECTOR TYPE	MATERIAL <span style="border: 1px solid black; padding: 2px;">4</span>	ASSEMBLE PER
-1	PL50C	1-0179-011	TAI-A118 <span style="border: 1px solid black; padding: 2px;">5</span>
-2	PL50CFL	1-0177-011	
-3	PL350C	1-0178-011	

-1 & -2  
SHOWN



-3 SHOWN



- 5 RECOMMENDED DIE IS CD3-5/B
- 4 EXCEPT REPLACE CRIMP SLEEVE 8-1613-3 WITH CRIMP SLEEVE 8-1613-22
- 3. SUBMINIATURE COAXIAL, 3-LUG, 4-LUG AND THREADED CABLE PLUGS/RECEPTACLE, NON-INSULATED BULKHEAD MOUNT RECEPTACLE AND PUSH-ON CABLE PLUG FOR COMM/SCOPE CABLE # 2104K
- 2. FINISH: TFS-1A (NICKEL)
- 1. ALL DIM ARE IN INCHES

QTY	DESCRIPTION		PART NUMBER	ITEM
TOL UNLESS SPECIFIED		<b>TROMPETER ELECTRONICS, INC.</b>	"50C" SERIES- # 2104K	
.XX ±	.XXX ± .005			
.XXXX ±	ANGLES ±	DWN	DKC	4-6-00
CHK		4-6-00	MATERIAL	CODE IDENT
ENGR			14949	DRAWING NO.
APPR		4-6-00	SCALE —	DATE 12-29-98
NEXT ASSY			105-1933	SHEET 1C
			REV	C