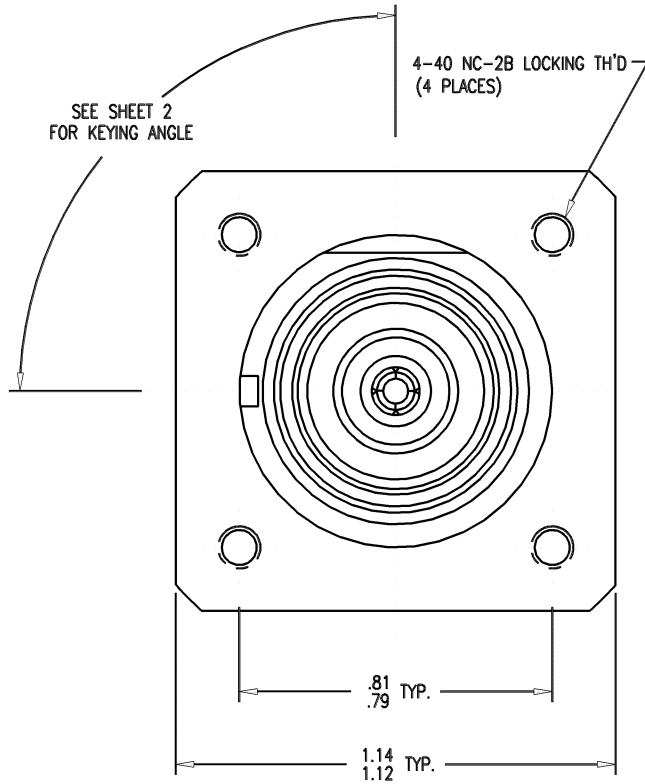
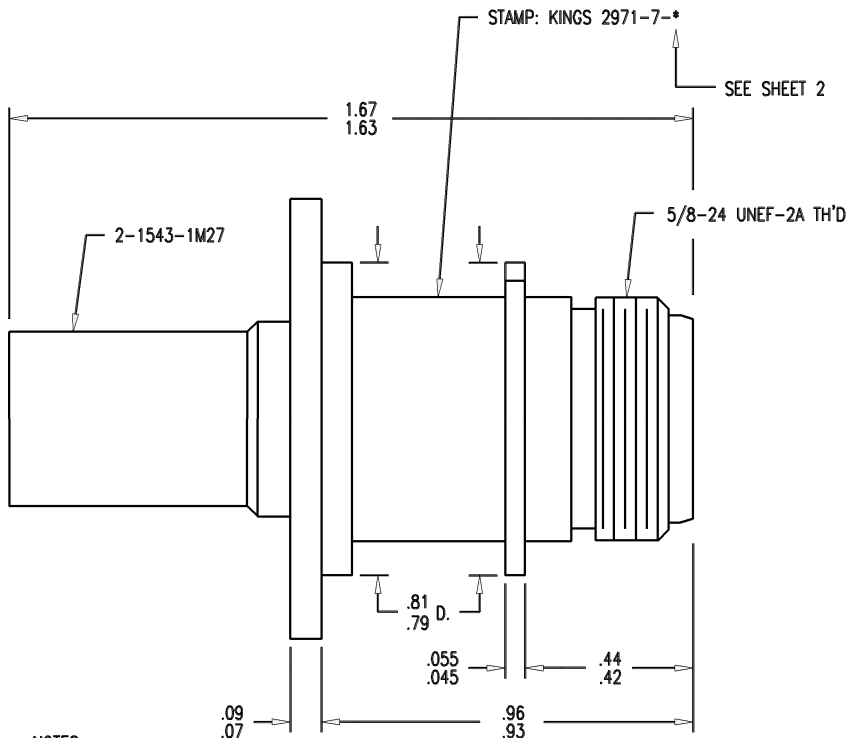


# GSD



- NOTES:**
1. FOR USE WITH BOEING S280W503-4 & ADAMS RUSSELL FC28Z CABLES.
  2. FOR CABLING INSTRUCTIONS SEE 3-546-2.
  3. FOR CRIMPING USE DIE KTH-2212.
  4. INTERFACE PER MIL-STD-348, FIG. 304-2.
  6. FOR USE WITH .075 MAX. PANEL.
  7. CENTER CONTACT (1-534-95MA9) SUPPLIED UNASSEMBLED.
  8. MARK PACKAGE: KINGS 2971-7-\*  
XX XX (DATE CODE) SEE SHEET 2
  9. MATERIALS:  
INSULATOR: TEFLON, ASTM-D-4894  
K-GRIP SLEEVE: COM. BRONZE, ASTM-B-135  
CENTER CONTACT: BER. COP., ASTM-B-196  
ALL OTHER PARTS: BRASS, ASTM-B16
  10. FINISHES:  
CENTER CONTACT: GOLD PLATE PER MIL-G-45204  
ALL OTHER METAL PARTS: KINGS TARNISH RESISTANT FINISH (TR-5)
  11. ELECTRICAL CHARACTERISTICS:  
NOMINAL IMPEDANCE: 50 OHMS  
VOLTAGE RATING: 500 VRMS  
FREQUENCY RANGE: DC TO 11 GHz

2971-7-\* (SHT 1 OF 2)

REVISIONS	
ISSUE	CHANGES
0	ER 35788 KH 09/12/94
1	CN 37022 A KH 06/21/96

KAM3698

SCALE 3:1	
APPROX SURFACE AREA	
USED ON	
REF: BOEING	
JACK, PANEL, KEYED, N	
DRAWN KH	DATE 04/28/94
DESIGN JT	DATE 04/29/94
APPR.	DATE

**KINGS**  
ELECTRONICS CO., INC.  
TUCKAHOE, NEW YORK 10707

2971-7-\* (SHT 1 OF 2)

# GSD

KINGS PART NO.	KEYING ANGLE
2971-7-1	42°
2971-7-2	54°
2971-7-3	66°
2971-7-4	78°
2971-7-5	90°
2971-7-6	102°
2971-7-7	114°
2971-7-8	126°
2971-7-9	138°
2971-7-10	150°
2971-7-11	162°
2971-7-12	174°
2971-7-13	186°
2971-7-14	198°
2971-7-15	210°
2971-7-16	222°
2971-7-17	234°
2971-7-18	246°
2971-7-19	258°
2971-7-20	270°
2971-7-21	282°
2971-7-22	294°
2971-7-23	306°
2971-7-24	318°

GSD

GSD

2971-7- \* (SHT 2 OF 2)

REVISIONS	
ISSUE	CHANGES
0	ER 35788 KH 09/12/94
1	CN 37022 A KH 06/21/96
KAM3699	

SCALE 1:1

APPROX SURFACE AREA

USED ON

REF:

PART NO. & ANGLE TABLE

DRAWN	KH	DATE	04/28/94
DESIGN	JT	DATE	04/29/94
APPR.		DATE	

**KINGS**  
ELECTRONICS CO., INC.  
TUCKAHOE, NEW YORK 10707

2971-7- \*  
(SHT 2 OF 2)