

Product data sheet

Specifications



circuit breaker EasyPact CVS160F,
36 kA at 415 VAC, 160 A rating
thermal magnetic TM-D trip unit, 3P
3d

LV516333

Main

Range Of Product	EasyPact CVS100...250
Product Or Component Type	Circuit breaker
Device Short Name	CVS160F
Device Application	Distribution
Poles Description	3P
Protected Poles Description	3D
Earth Leakage Protection (Vigi Add On)	Without
[In] Rated Current	160 A at 40 °C
Breaking Capacity Code	F
Network Type	AC
[Icu] Breaking Capacity	36 kA Icu at 440 V AC 50/60 Hz conforming to IEC 60947-2 36 kA Icu at 380/415 V AC 50/60 Hz conforming to IEC 60947-2 70 kA Icu at 220/240 V AC 50/60 Hz conforming to IEC 60947-2
Utilisation Category	Category A
Trip Unit Name	TM-D
Trip Unit Technology	Thermal-magnetic
Trip Unit Rating	160 A at 40 °C
Protection Type	Short-circuit protection (magnetic) Overload protection (thermal)

Complementary

Network Frequency	50/60 Hz
Control Type	Toggle
Mounting Mode	Fixed
Mounting Support	Backplate
Upside Connection	Front
Downside Connection	Front
Connections - Terminals	Screw connection
[Uimp] Rated Impulse Withstand Voltage	8 kV conforming to EN/IEC 60947-2
Thermal Protection Adjustment Range	112...160 A
[Ics] Rated Service Breaking Capacity	18 kA at 440 V AC 50/60 Hz conforming to IEC 60947-2 36 kA at 380/415 V AC 50/60 Hz conforming to IEC 60947-2 70 kA at 220/240 V AC 50/60 Hz conforming to IEC 60947-2

Mechanical Durability	25000 cycles
Electrical Durability	12000 cycles 415 V In conforming to IEC 60947-2
Connection Pitch	35 mm
Contact Position Indicator	Yes
Long Time Pick-Up Adjustment Type Ir	Adjustable
Long Time Pick-Up Adjustment Range	0.7...1 x In
Long Time Delay Adjustment Type	Fixed
Instantaneous Pick-Up Adjustment Type Ii	Fixed
Instantaneous Pick-Up Adjustment Range	1250 A
Height	161 mm
Width	105 mm
Depth	86 mm
Net Weight	1.8 kg

Environment

Electrical Shock Protection Class	Class II
Standards	IEC 60947-2 EN 60947-2
Product Certifications	IEC GOST
Ip Degree Of Protection	IP40
Pollution Degree	3 conforming to IEC 60664-1
Ambient Air Temperature For Operation	-25...70 °C
Ambient Air Temperature For Storage	-50...85 °C

Packing Units

Unit Type Of Package 1	PCE
Number Of Units In Package 1	1
Package 1 Height	11.5 cm
Package 1 Width	13.5 cm
Package 1 Length	19.0 cm
Package 1 Weight	1.722 kg
Unit Type Of Package 2	S03
Number Of Units In Package 2	6
Package 2 Height	30.0 cm
Package 2 Width	30.0 cm
Package 2 Length	40.0 cm
Package 2 Weight	10.752 kg

Contractual warranty

Warranty	18 months
-----------------	-----------

Sustainability

Green Premium™ label is Schneider Electric's commitment to delivering products with best-in-class environmental performance. **Green Premium** promises compliance with the latest regulations, transparency on environmental impacts, as well as circular and low- products.

Guide to assessing product sustainability is a white paper that clarifies global eco-label standards and how to interpret environmental declarations.

[Learn more about Green Premium >](#)



Transparency RoHS/REACH

Well-being performance

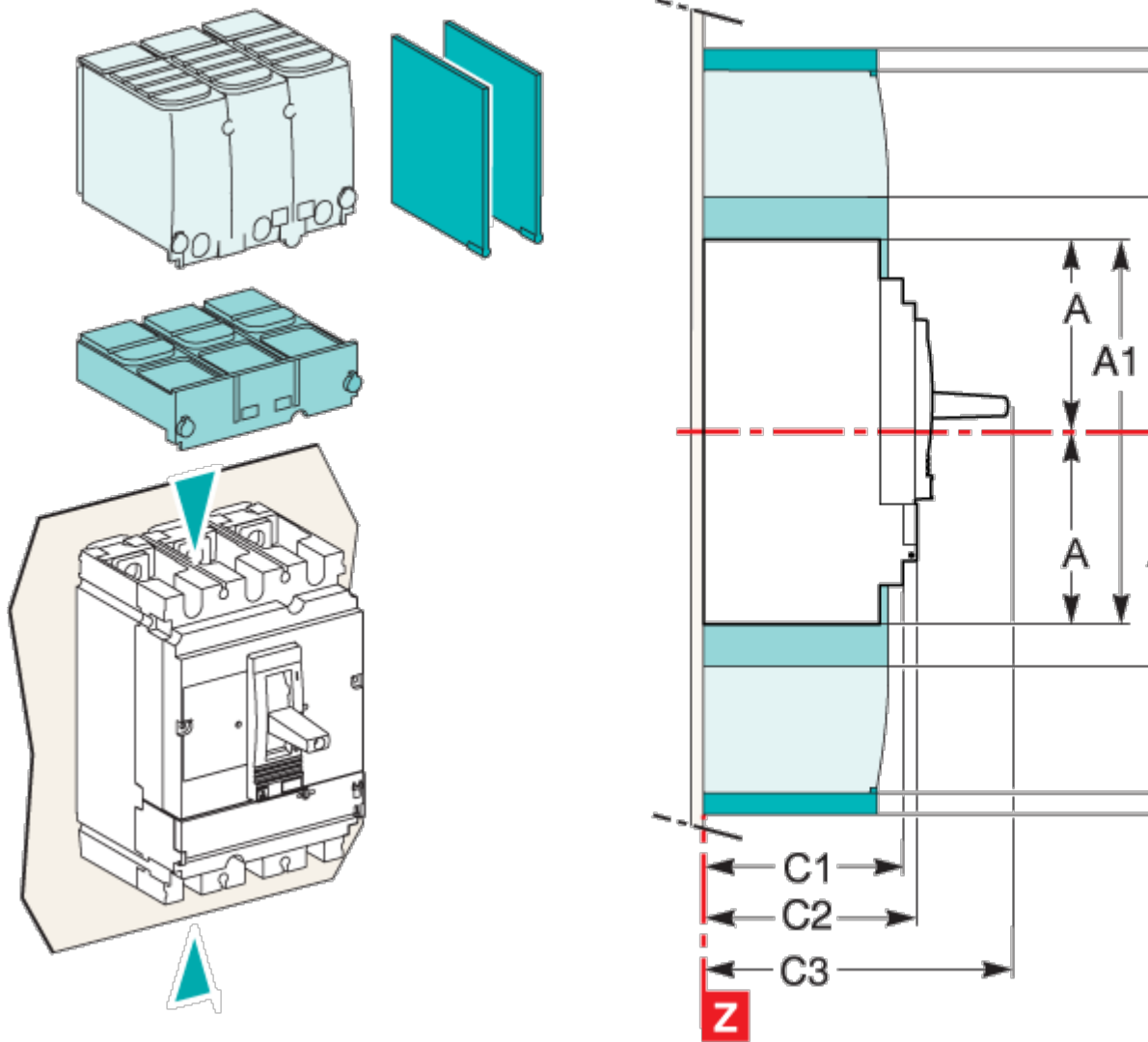
✓ Mercury Free

✓ Rohs Exemption Information [Yes](#)

Certifications & Standards

Reach Regulation	REACH Declaration
Eu Rohs Directive	Compliant EU RoHS Declaration
China Rohs Regulation	China RoHS declaration Product out of China RoHS scope. Substance declaration for your information
Environmental Disclosure	Product Environmental Profile
Weee	The product must be disposed on European Union markets following specific waste collection and never end up in rubbish bins
Circularity Profile	End of Life Information

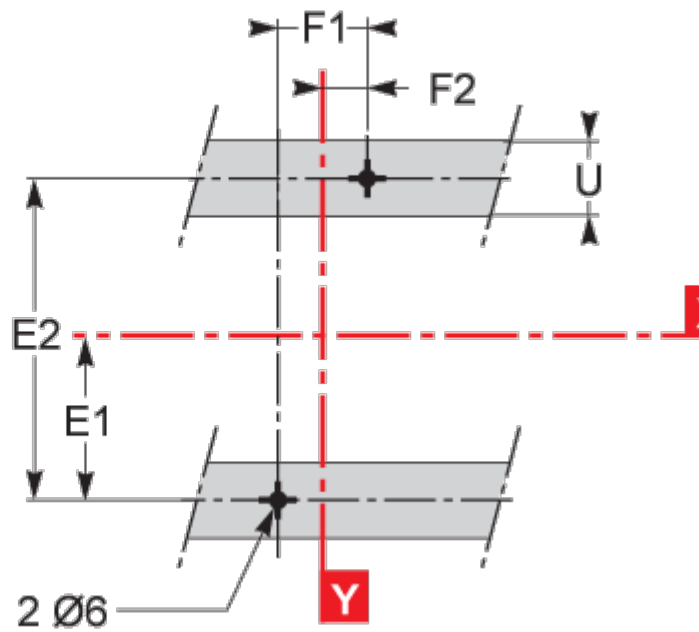
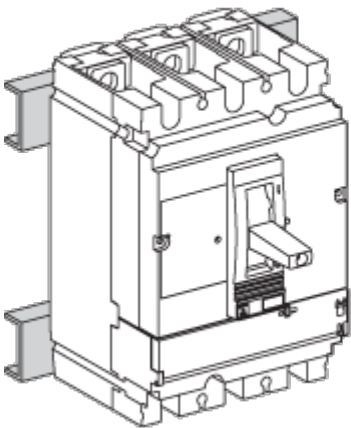
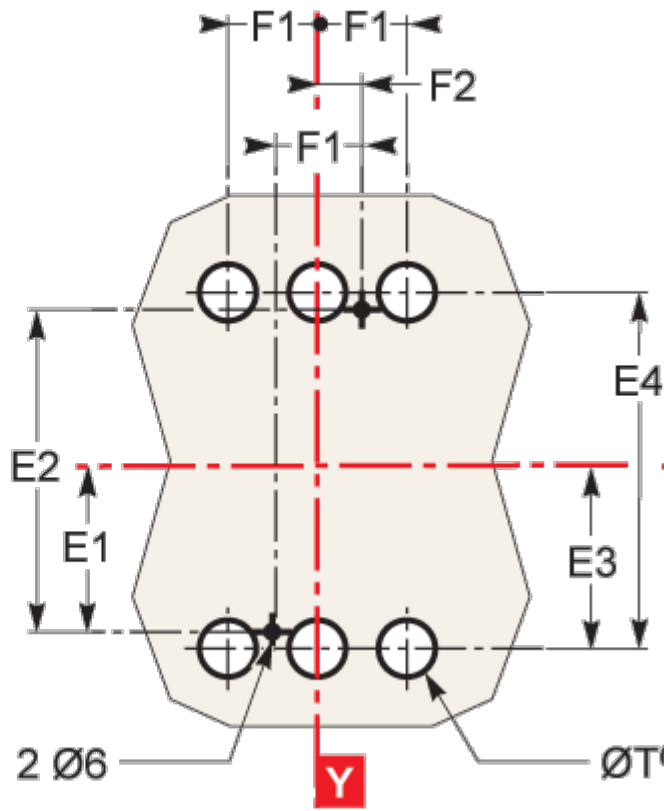
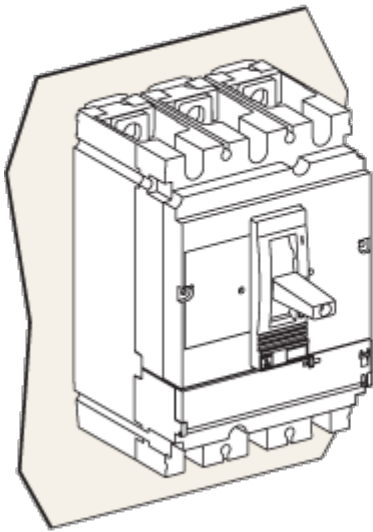
Dimensions Drawings



Type	A	A1	A2	A3	A4	A5
CVS100/160/250	80.5	161	94	145	178.5	198
CVS400/630	127.5	255	142.5	200	237	267
Type	E2	E3	E4	E5	E6	E7
CVS100/160/250	125	70	140	137.5	200	198
CVS400/630	200	113.5	227	200	300	267

(2) C3=126mm for EasyPact CVS250B/F.

Assembly



Type	A	A1	A2	A3	A4	A
CVS100/160/250	80.5	161	94	145	178.5	1
CVS400/630	127.5	255	142.5	200	237	2
Type	E2	E3	E4	E5	E6	E
CVS100/160/250	125	70	140	137.5	200	1
CVS400/630	200	113.5	227	200	300	2

(2) C3=126mm for EasyPact CVS250B/F.

Performance Curves

