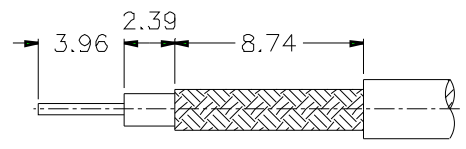
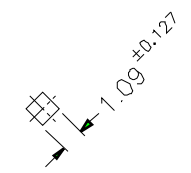


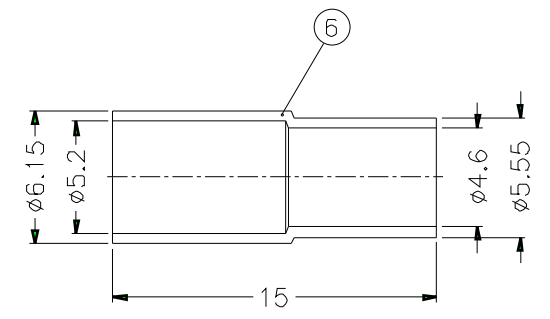
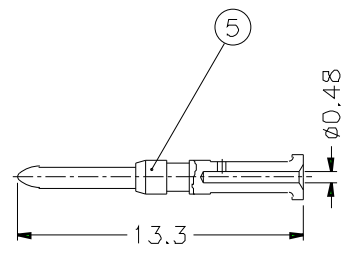
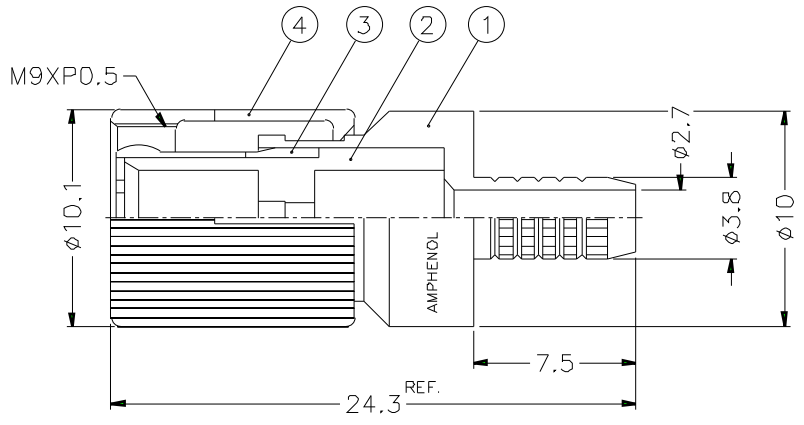
1			2			3			4			5			6			7			8		
REVISIONS																							
ISS	ZONE	DESCRIPTION\PER REQUEST\DATE																					



RECOMMENDED  
CABLE STRIPPING DIM'S



CRIMPING CONTACT PIN  
DIMENSIONS



CRIMPING FERRULE DIMENSION:  $\phi 5.2 \pm 0.127$   
 - PACKAGING IN RF BAG WITH COMMERCIAL PART NUMBER  
 AND DATE CODE

6	FERRULE	COPPER	NICKEL	1	
5	CONTACT PIN	BRASS	GOLD	1	
4	SHELL	BRASS	NICKEL	1	
3	OUTER CONTACT	BRONZE	GOLD	1	
2	INSULATOR	TEFLON	NATURAL	1	
1	BODY	BRASS	NICKEL	1	
NO.	DESCRIPTION	MATERIAL	FINISH	D'TY	DRAWING NO.

DIMENSIONS ARE IN MILLIMETERS							
PART NO.				156 929 750T			
APPROVED				DATE			
				10-11-01'			
CHECKED				DATE			
				10-11-01'			
DRAWN				DATE			
				10-11-01'			
SCALE	3/1	ISSUE	A	FILE NO.			

<b>Amphenol</b>	
TITLE 1,6/5,6 75Ω STRAIGHT PLUG, CRIMP TYPE (FOR CEC BV 75-2 CABLE)	
DRAWING NO.	
ITEM NO.	

1			2			3			4			5			6			7			8		
---	--	--	---	--	--	---	--	--	---	--	--	---	--	--	---	--	--	---	--	--	---	--	--