



Terminals & Splices > Splices



Product Type: **SolderShield Splice Kit**

Terminal & Splice Type: **Splice**

Wire Size: **.5 – .34 mm²**

Sealable: **Yes**

Features

Product Type Features

| | |
|-----------------|-------------------------|
| Product Type | SolderShield Splice Kit |
| Sealable | Yes |
| Splice Type | One-to-One Splice |
| Serrated | No |
| Barrel Type | Closed Barrel |
| Wire/Cable Type | Multi-Conductor |
| Insulated | Yes |

Configuration Features

| | |
|----------------------|------------------|
| Splice Configuration | Single to Single |
| Number of Conductors | 3, 4 |

Body Features

| | |
|------------------|--------------|
| Weight per Piece | 11.34 g |
| Plating Material | Tin/Silver |
| Splice Material | Copper Alloy |
| Color | Red |

Contact Features

| | |
|------------------------|--------|
| Terminal & Splice Type | Splice |
|------------------------|--------|

Termination Features

| | |
|--------------------|---------------|
| Termination Method | Crimp, Solder |
|--------------------|---------------|

Dimensions

| | |
|----------------|--------------------------|
| Wire Size | .5 – .34 mm ² |
| Overall Length | 105.92 mm[4.17 in] |

Usage Conditions

| | |
|-----------------------------|----------------------------|
| Cable Temperature Rating | 135 °C |
| Operating Temperature Range | -55 – 150 °C[-67 – 302 °F] |

Operation/Application

| | |
|------------|----|
| Heavy Duty | No |
|------------|----|

Industry Standards

| | |
|----------------------|----|
| Government Qualified | No |
|----------------------|----|

Packaging Features

| | |
|--------------------|---------|
| Packaging Quantity | 10 |
| Packaging Method | Package |

Product Compliance

[For compliance documentation, visit the product page on TE.com>](#)

| | |
|---|--|
| EU RoHS Directive 2011/65/EU | Not Compliant |
| EU ELV Directive 2000/53/EC | Not Compliant |
| China RoHS 2 Directive MIIT Order No 32, 2016 | Restricted Materials Above Threshold |
| EU REACH Regulation (EC) No. 1907/2006 | Current ECHA Candidate List: JAN 2019 (197) Candidate List Declared Against: JAN 2019 (197) |
| Halogen Content | BFR/CFR/PVC Free, but Br/Cl >900 ppm in other sources. |
| Solder Process Capability | Not applicable for solder process capability |

Product Compliance Disclaimer

This information is provided based on reasonable inquiry of our suppliers and represents our current actual knowledge based on the information they provided. This information is subject to change. The part numbers that TE has identified as EU RoHS compliant have a maximum concentration of 0.1% by weight in homogenous materials for lead, hexavalent chromium, mercury, PBB, PBDE, DBP, BBP, DEHP, DIBP, and 0.01% for cadmium, or qualify for an exemption to these limits as defined in the Annexes of Directive 2011/65/EU (RoHS2). Finished electrical and electronic equipment products will be CE marked as required by Directive 2011/65/EU. Components may not be CE marked. Additionally, the part numbers that TE has identified as EU ELV compliant have a maximum concentration of 0.1% by weight in homogenous materials for lead, hexavalent chromium, and mercury, and 0.01% for cadmium, or qualify for an exemption to these limits as defined in the Annexes of Directive 2000/53/EC (ELV). Regarding the REACH Regulations, TE's information on SVHC in articles for this part number is still based on the European Chemical Agency (ECHA) 'Guidance on requirements for substances in articles' (Version: 2, April 2011), applying the 0.1% weight on weight concentration threshold at the finished product level. TE is aware of the European Court of Justice ruling of September 10th, 2015 also known as O5A (Once An

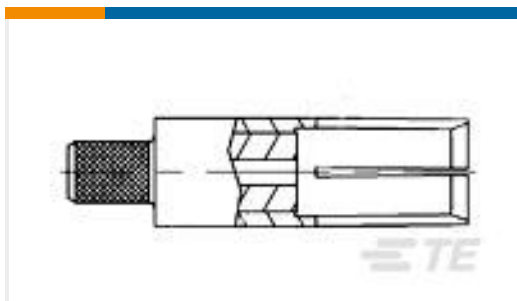
Article Always An Article) stating that, in case of 'complex object', the threshold for a SVHC must be applied to both the product as a whole and simultaneously to each of the articles forming part of its composition. TE has evaluated this ruling based on the new ECHA "Guidance on requirements for substances in articles" (June 2017, version 4.0) and will be updating its statements accordingly.

Compatible Parts

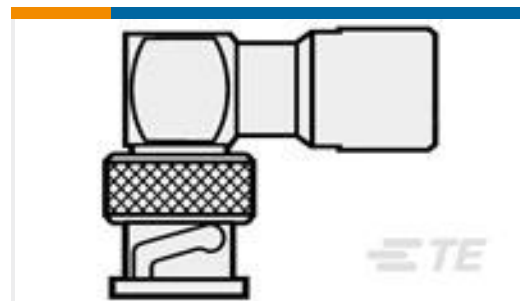


TE Part # CJ2087-000
[HL2010E-KIT-120V](#)

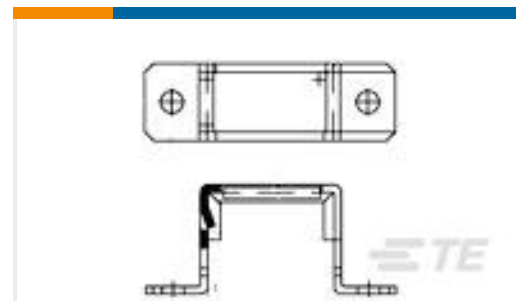
Customers Also Bought



TE Part #225791-2
[COAXIAL RF SOCKET, SZ 5](#)



TE Part #511405-000
[RBD-50-M-01](#)



TE Part #591637-1
[BRACKET,FRAME ASSY](#)



TE Part #972394-000
[D-150-0168](#)



TE Part #12333-20
[CONT SOC ASSY](#)



TE Part #705692-000
[D-150-0178](#)



TE Part #621207-000
[D-150-0174](#)



TE Part #107266-000
[SO96-5-01](#)



TE Part #1662-213-2031
[CONT SOC ASSY](#)



TE Part #CTJ420E044-513
[ELEC MODULE](#)

Documents

[Product Drawings](#)
[D-150-0179](#)

English



Datasheets & Catalog Pages

[1654025_Sec8_D-150_D-500_DK-621](#)

English

[1654025_Sec8_D-150](#)

English

Product Specifications

[Installation Procedure for TE Connectivity Shielded Cable Splice Kits with Mini-Seal Crimp Primary Splices](#)

English

Product Environmental Compliance

[REACH Substance Communication Document](#)

English