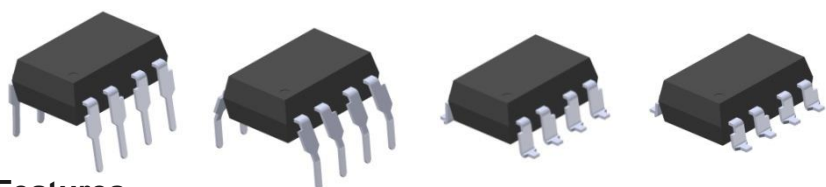


HIGH CMR HIGH SPEED 1Mbit/s TRANSISTOR PHOTOCOUPLER EL4504



Features

- Application for IPM and TTL
- High isolation voltage between input and output (Viso=5000 Vrms)
- High CMR at V_{CM}=1500V
- Open collector output
- Guaranteed performance from 0°C to 70°C
- Wide operating temperature range of -55°C to 100°C
- Pb free and RoHS compliant.
- UL and cUL approved(No. E214129)
- VDE approved (No. 132249)
- SEMKO approved
- NEMKO approved
- DEMKO approved
- FIMKO approved

Description

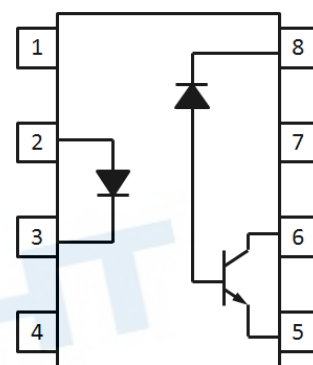
The EL4504 devices consist of an infrared emitting diode, optically coupled to a high speed photo detector transistor. A separate connection for the photodiode bias and output-transistor collector increase the speed by several orders of magnitude over conventional phototransistor couplers by reducing the base-collector capacitance of the input transistor.

The devices are packaged in an 8-pin DIP package and available in wide-lead spacing and SMD option.

Applications

- Inverter circuits and IPM interface
- Line receivers
- High speed logic ground isolation
- Analog signal ground isolation
- Replaces pulse transformers

Schematic



Pin Configuration

1. No Connection
2. Anode
3. Cathode
4. No Connection
5. Gnd
6. V_{out}
7. No Connection
8. V_{CC}

Absolute Maximum Ratings (T_A=25°C)

	Parameter	Symbol	Rating	Unit
Input	Forward current	I _F	25	mA
	Peak forward current (50% duty, 1ms P.W)	I _{FP}	50	mA
	Peak transient current (≤1μs P.W,300pps)	I _{Ftrans}	1	A
	Reverse voltage	V _R	5	V
	Power dissipation	P _{IN}	45	mW
Output	Power dissipation	P _O	35	mW
	Average Output current	I _{O(AVG)}	8	mA
	Peak Output current	I _{O(PK)}	16	mA
	Output voltage	V _O	-0.5 to 20	V
	Supply voltage	V _{CC}	-0.5 to 30	V
	Isolation voltage *1	V _{ISO}	5000	V rms
	Operating temperature	T _{OPR}	-55 ~ +100	°C
	Storage temperature	T _{STG}	-55 ~ +125	°C
	Soldering temperature *2	T _{SOL}	260	°C

Notes:

*1 AC for 1 minute, R.H.= 40 ~ 60% R.H. In this test, pins 1, 2, 3 & 4 are shorted together, and pins 5, 6, 7 & 8 are shorted together.

*2 For 10 seconds.

Electrical Characteristics (T_A=0 to 70°C unless specified otherwise)

Input

Parameter	Symbol	Min.	Typ.	Max.	Unit	Condition
Forward voltage	V _F	-	1.4	1.8	V	I _F = 16mA
Reverse voltage	V _R	5.0	-	-	V	I _R = 10μA
Temperature coefficient of forward voltage	ΔV _F /ΔT _A	-	-1.9	-	mV/°C	I _F = 16mA

Output

Parameter	Symbol	Min.	Typ.*	Max.	Unit	Conditions
Logic High Output Current	I _{OH}	-	0.001	0.5	μA	I _F =0mA, V _O =V _{CC} =5.5V, T _A =25°C
			0.01	1		I _F =0mA, V _O =V _{CC} =15V, T _A =25°C
		-	-	50		I _F =0mA, V _O =V _{CC} =15V
Logic Low Supply Current	I _{CCL}	-	140	200	μA	I _{F1} =I _{F2} 16mA, V _O =Open, V _{CC} =15V
Logic High Supply Current	I _{CCH}	-	0.01	1	μA	I _F =0mA, V _O =Open, V _{CC} =15V, T _A =25°C
		-	-	2		I _F =0mA, V _O =Open, V _{CC} =15V

* Typical values at T_A = 25°C

Transfer Characteristics (T_A=0 to 70°C unless specified otherwise)

Parameter	Symbol	Min.	Typ.*	Max.	Unit	Conditions
Current Transfer Ratio	CTR	25	-	60	%	I _F = 16mA, V _O = 0.4V, V _{CC} =4.5V, T _A =25°C
		21	35			I _F = 16mA, V _O = 0.5V, V _{CC} =4.5V
		26	-	65		I _F = 12mA, V _O = 0.4V, V _{CC} =4.5V, T _A =25°C
		22	39	-		I _F = 12mA, V _O = 0.5V, V _{CC} =4.5V
Logic Low Output Voltage	V _{OL}	-	0.25	0.4	V	I _F = 16mA, I _O = 4.0mA, V _{CC} =4.5V, T _A =25°C
		-		0.5		I _F = 16mA, I _O = 3.3mA, V _{CC} =4.5V

* Typical values at T_A = 25°C

Switching Characteristics ($T_A=0$ to 70°C unless specified otherwise)

Parameter	Symbol	Min.	Typ.*	Max.	Unit	Conditions
Propagation Delay Time to Logic Low (Fig.8)	t_{PHL}	-	0.25	0.4	μs	Pulse $f=20\text{KHz}$, Duty cycle = 10%, $I_F = 16\text{mA}$, $V_{CC}=5\text{V}$, $R_L=1.9\text{K}\Omega$, $V_{THHL}=1.5\text{V}$, $T_A = 25^\circ\text{C}$
		-	0.6	0.8		Pulse $f=10\text{kHz}$, Duty cycle = 50%, $I_F = 12\text{mA}$, $V_{CC}=15\text{V}$, $R_L=20\text{k}\Omega$, $V_{THHL}=1.5\text{V}$, $T_A = 25^\circ\text{C}$
		-	-	0.4		Pulse $f=20\text{kHz}$, Duty cycle = 10%, $I_F = 16\text{mA}$, $V_{CC}=5\text{V}$, $R_L=1.9\text{k}\Omega$, $V_{THHL}=1.5\text{V}$
		-	-	1.0		Pulse $f=10\text{kHz}$, Duty cycle = 50%, $I_F = 12\text{mA}$, $V_{CC}=15\text{V}$, $R_L=20\text{k}\Omega$, $V_{THHL}=1.5\text{V}$
Propagation Delay Time to Logic High (Fig.8)	t_{PLH}	-	0.25	0.4	μs	Pulse $f=20\text{kHz}$, Duty cycle = 10%, $I_F = 16\text{mA}$, $V_{CC}=5\text{V}$, $R_L=1.9\text{k}\Omega$, $V_{THLH}=1.5\text{V}$, $T_A = 25^\circ\text{C}$
		-	1.0	1.2		Pulse $f=10\text{kHz}$, Duty cycle = 50%, $I_F = 12\text{mA}$, $V_{CC}=15\text{V}$, $R_L=20\text{k}\Omega$, $V_{THLH}=1.5\text{V}$, $T_A = 25^\circ\text{C}$
		-	-	0.7		Pulse $f=20\text{kHz}$, Duty cycle = 10%, $I_F = 16\text{mA}$, $V_{CC}=5\text{V}$, $R_L=1.9\text{k}\Omega$, $V_{THLH}=2\text{V}$
		-	-	1.4		Pulse $f=10\text{kHz}$, Duty cycle = 50%, $I_F = 12\text{mA}$, $V_{CC}=15\text{V}$, $R_L=20\text{k}\Omega$, $V_{THLH}=2\text{V}$
Propagation Delay Difference Between Any 2 Parts	$t_{PLH}-t_{PHL}$	-0.4	0.4	0.9	$\text{V}/\mu\text{s}$	Pulse $f=10\text{kHz}$, Duty cycle = 50%, $I_F = 12\text{mA}$, $V_{CC}=15\text{V}$, $R_L=20\text{k}\Omega$, $V_{THHL}=1.5\text{V}$, $V_{THLH}=2\text{V}$, $T_A = 25^\circ\text{C}$
		-0.7	-	1.3		Pulse $f=10\text{kHz}$, Duty cycle = 50%, $I_F = 12\text{mA}$, $V_{CC}=15\text{V}$, $R_L=20\text{k}\Omega$, $V_{THLH}=1.5\text{V}$, $V_{THLH}=2\text{V}$
Common Mode Transient Immunity at Logic Low (Fig.9)*3	CM_L	1,000	10,000	-	$\text{V}/\mu\text{s}$	$I_F = 16\text{mA}$, $V_{CM}=10\text{Vp-p}$, $R_L=4.1\text{K}\Omega$, $T_A = 25^\circ\text{C}$
		1,000	10,000	-		$I_F = 16\text{mA}$, $V_{CM}=1000\text{Vp-p}$, $R_L=1.9\text{K}\Omega$, $T_A=25^\circ\text{C}$

Common Mode Transient Immunity at Logic Low (Fig.9)*3	CM _H	15,000	-	-	V/μs	I _F = 0mA , V _{CC} =5V, V _{CM} =1500Vp-p, R _L =1.9KΩ, T _A =25°C
		15,000	-	-		I _F = 0mA , V _{CC} =15V, V _{CM} =1500Vp-p, R _L =20KΩ, T _A =25°C
Common Mode Transient Immunity at Logic Low (Fig.9)*3	CM _L	15,000	-	-	V/μs	I _F = 16mA , V _{CC} =5V, V _{CM} =1500Vp-p, R _L =1.9KΩ, T _A =25°C
		15,000	-	-		I _F = 12mA , V _{CC} =15V, V _{CM} =1500Vp-p, R _L =20KΩ, T _A =25°C
		15,000	-	-		I _F = 16mA , V _{CC} =15V, V _{CM} =1500Vp-p, R _L =20KΩ, T _A =25°C

* Typical values at T_A = 25°C

EVERLIGHT

Typical Electro-Optical Characteristics Curves

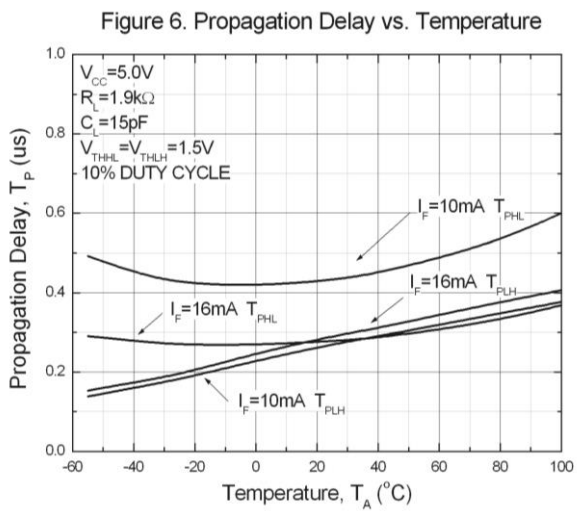
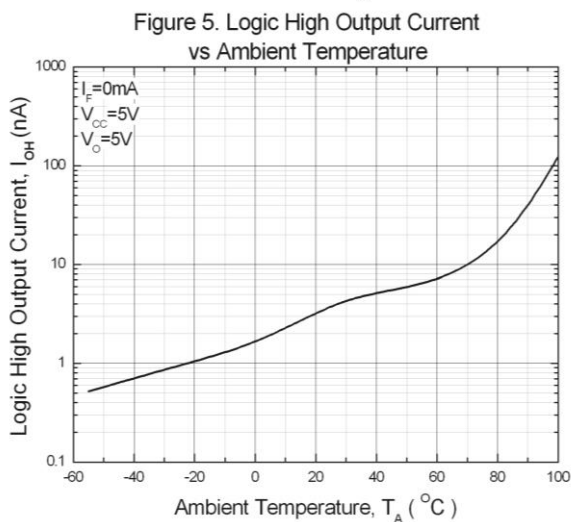
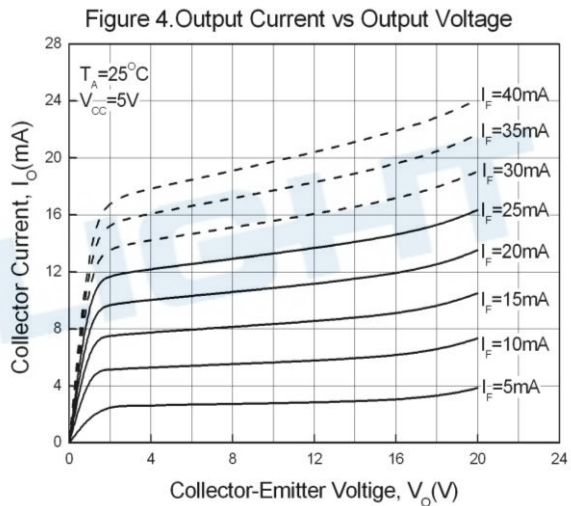
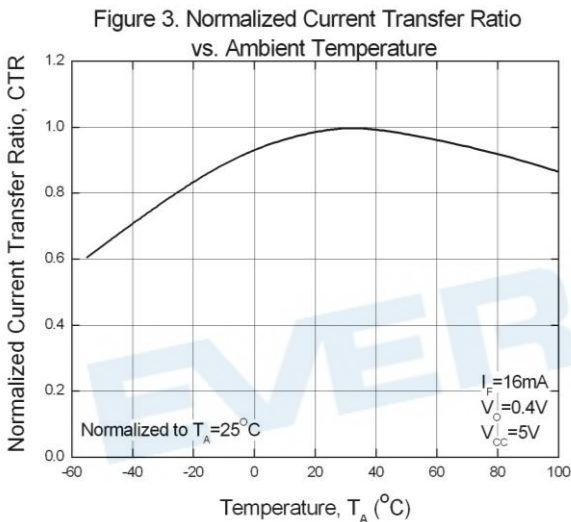
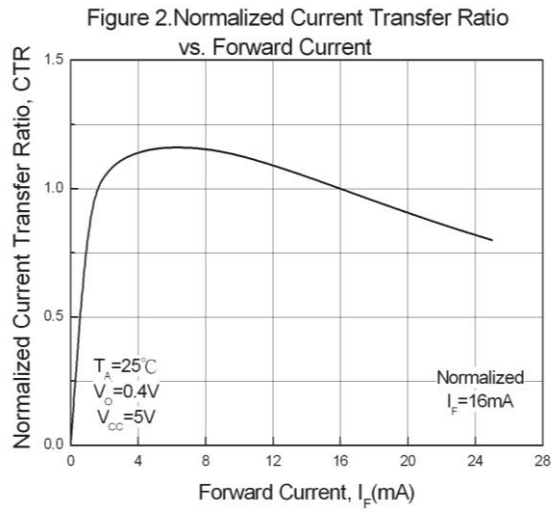
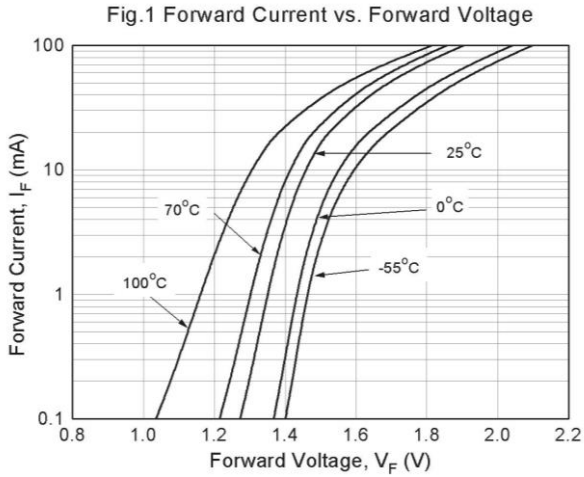


Figure 7. Propagation Delay vs. Load Resistance

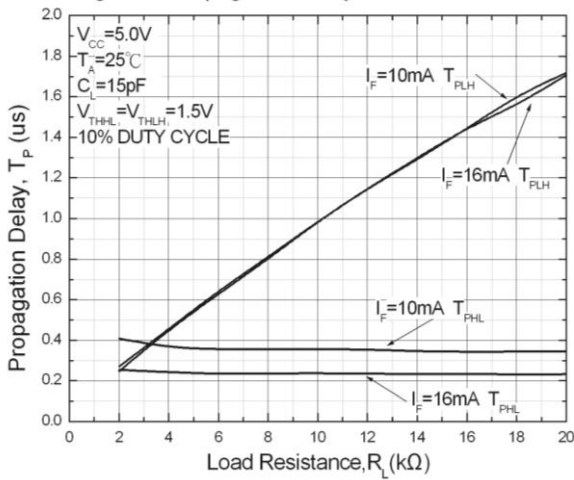


Figure 8. Propagation Delay vs. Load Resistance

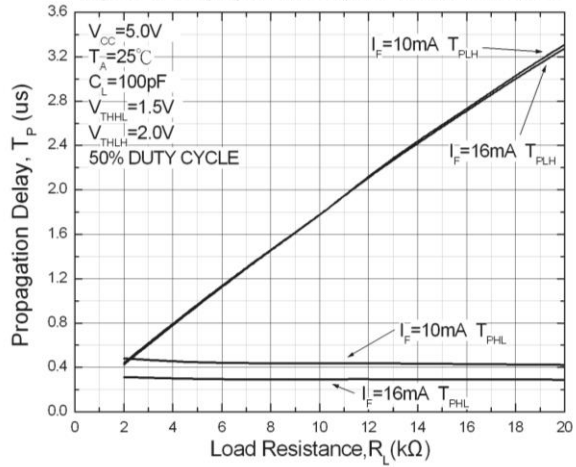


Figure 9. Propagation Delay vs. Temperature

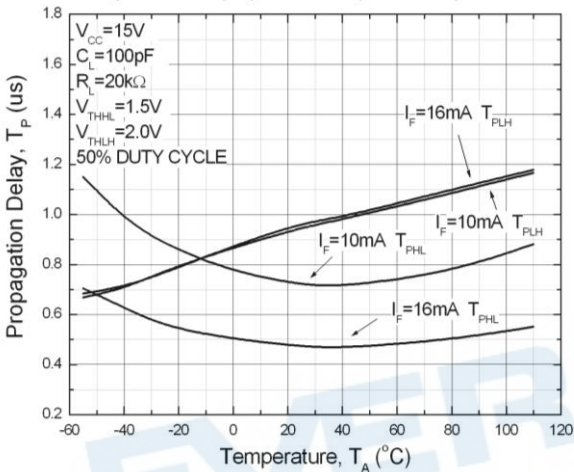


Figure 10. Propagation Delay vs. Load Resistance

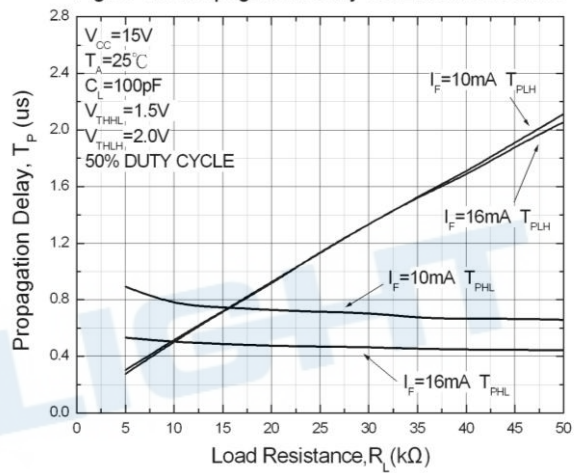


Figure 11. Propagation Delay vs. Load Capacitance

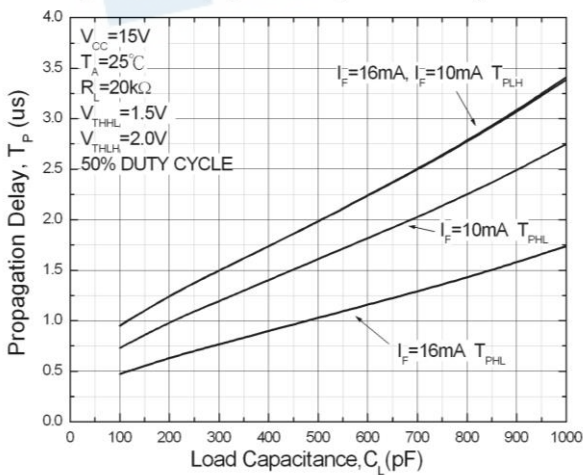


Figure 12 Switching Time Test Circuit & Waveform

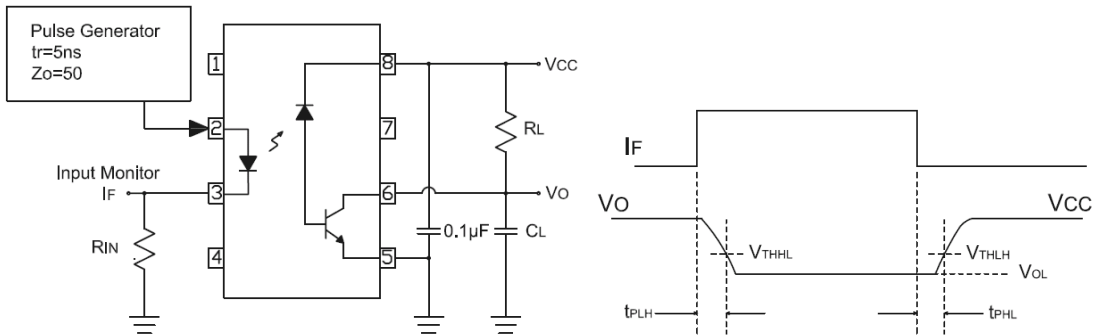
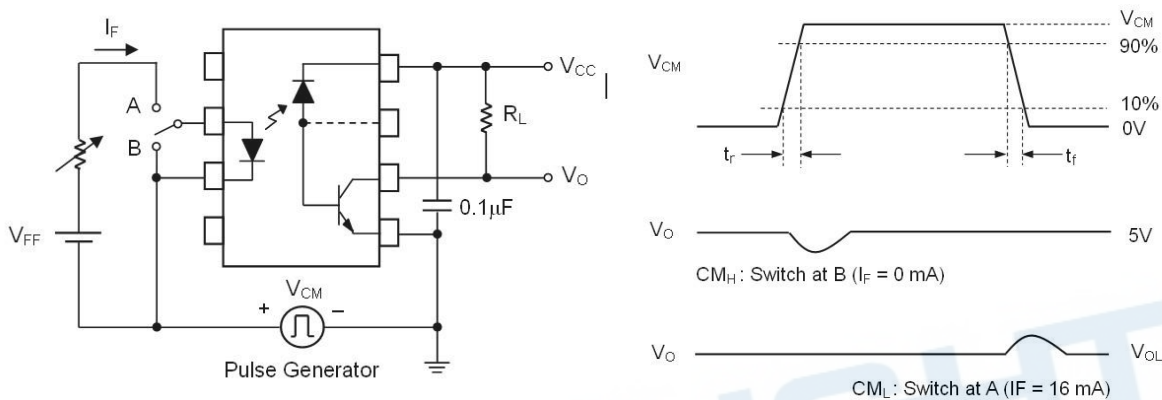


Figure 13 Transient Immunity Test Circuit & Waveform



*3 Common mode transient immunity in logic high level is the maximum tolerable (positive) dV_{CM}/dt on the leading edge of the common mode pulse signal V_{CM} , to assure that the output will remain in a logic high state (i.e., $V_O > 2.0V$).

Common mode transient immunity in logic low level is the maximum tolerable (negative) dV_{CM}/dt on the trailing edge of the common mode pulse signal, V_{CM} , to assure that the output will remain in a logic low state (i.e., $V_O < 0.8V$).

Order Information

Part Number

EL4504Y(Z)-V

Note

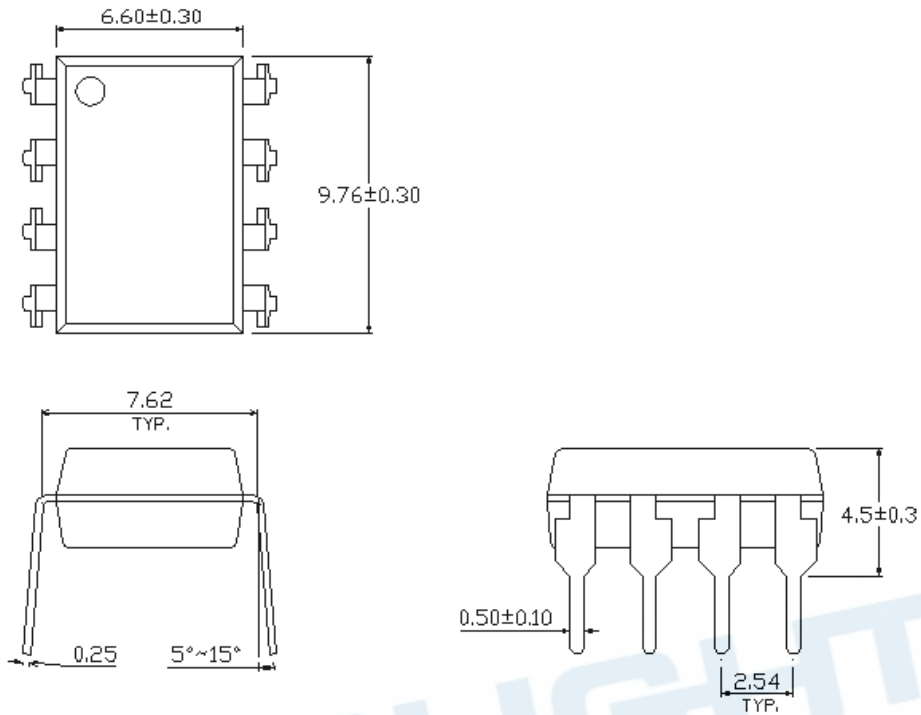
- X = Part no. (0 or 1)
- Y = Lead form option (S, S1, M or none)
- Z = Tape and reel option (TA, TB or none)
- V = VDE (optional)

Option	Description	Packing quantity
None	Standard DIP-8 for EL4504	45 units per tube
M	Wide lead bend (0.4 inch spacing)	45 units per tube
S (TA)	Surface mount lead form + TA tape & reel option	1000 units per reel
S1 (TA)	Surface mount lead form (low profile) + TA tape & reel option	1000 units per reel

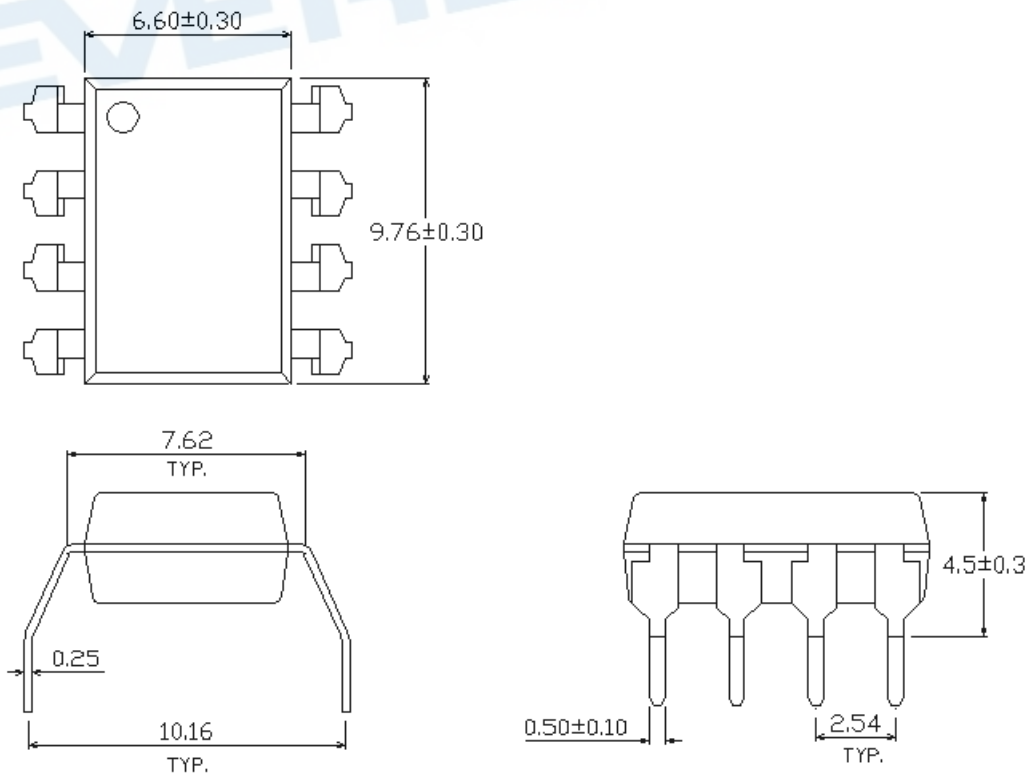
EVERLIGHT

Package Dimension
(Dimensions in mm)

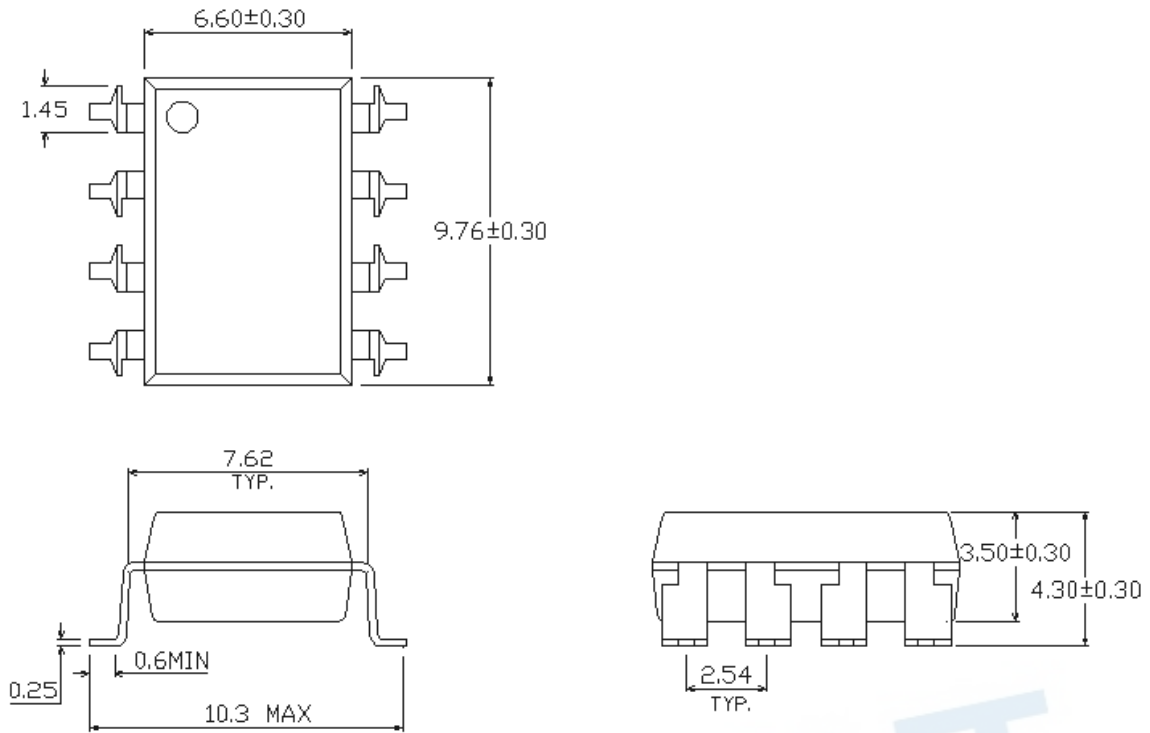
Standard DIP Type



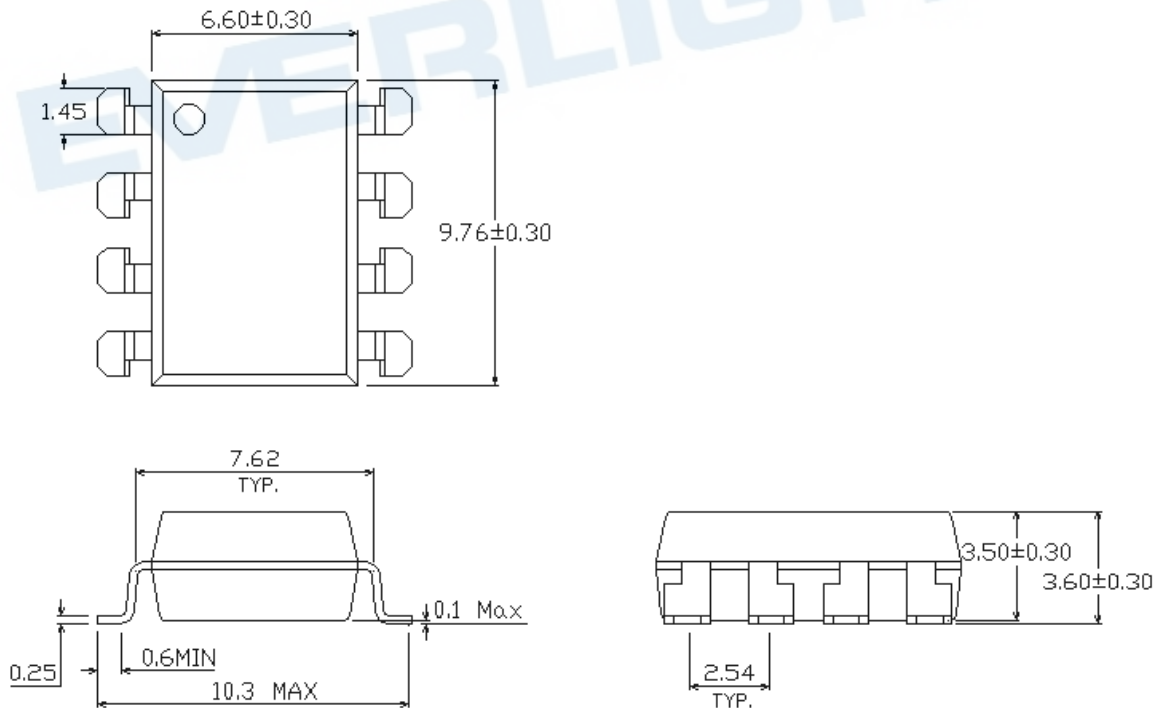
Option M Type



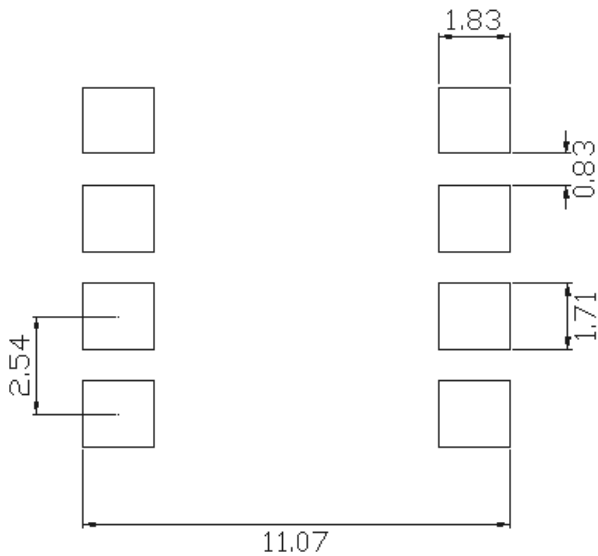
Option S Type



Option S1 Type

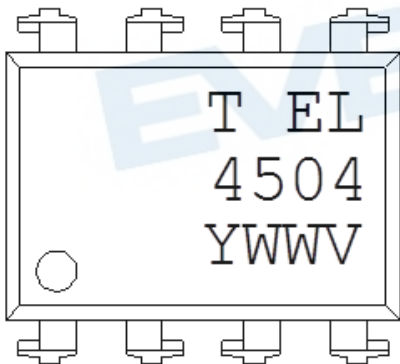


Recommended pad layout for surface mount leadform



Notes.
 Suggested pad dimension is just for reference only.
 Please modify the pad dimension based on individual need.

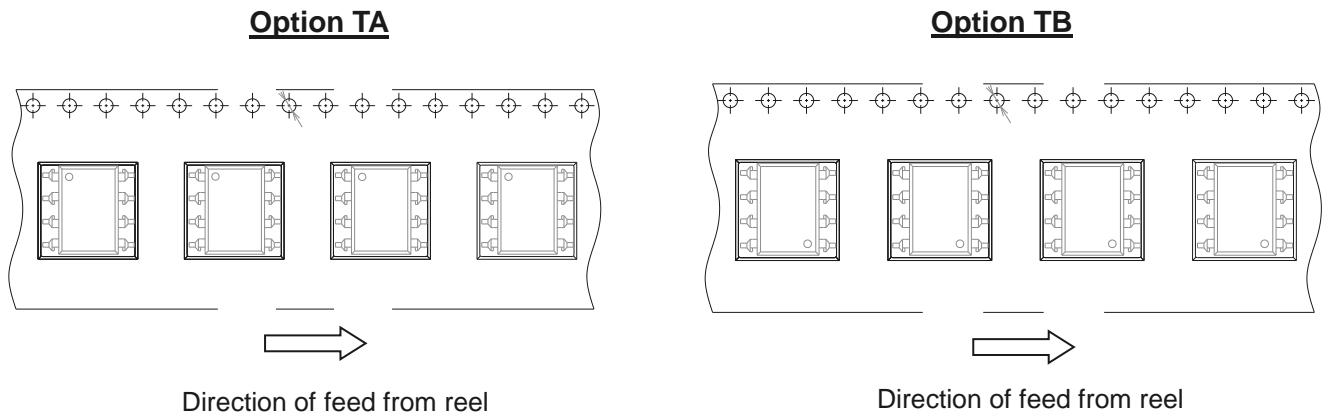
Device Marking



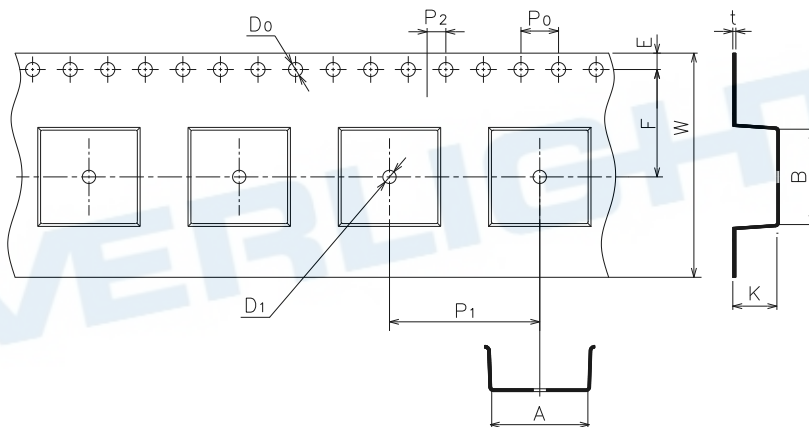
Notes

- T denotes Factory
 No code : made in China
 T : made in Taiwan
- EL denotes EVERLIGHT
- 4504 denotes Device Number
- Y denotes 1 digit Year code
- WW denotes 2 digit Week code
- V denotes VDE (optional)

Tape & Reel Packing Specifications



Tape dimension

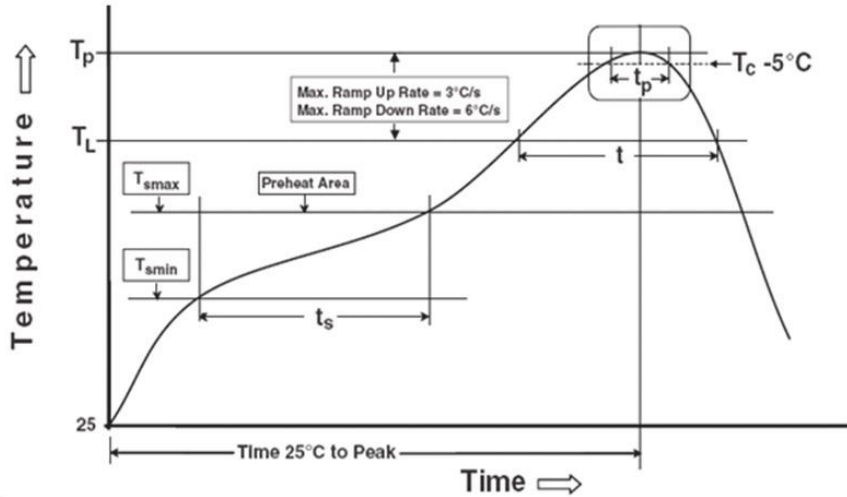


Dimension No.	A	B	Do	D1	E	F
Dimension(mm)	10.4±0.1	10.0±0.1	1.5±0.1	1.5±0.1	1.75±0.1	7.5±0.1
Dimension No.	Po	P1	P2	t	W	K
Dimension(mm)	4.0±0.1	12.0±0.1	2.0±0.1	0.4±0.1	16.0+0.3/-0.1	4.5±0.1

Precautions for Use

1. Soldering Condition

1.1 (A) Maximum Body Case Temperature Profile for evaluation of Reflow Profile



Note:

Reference: IPC/JEDEC J-STD-020D

Preheat

Temperature min (T_{smin})	150 °C
Temperature max (T_{smax})	200°C
Time (T_{smin} to T_{smax}) (t_s)	60-120 seconds
Average ramp-up rate (T_{smax} to T_P)	3 °C/second max

Other

Liquidus Temperature (T_L)	217 °C
Time above Liquidus Temperature (t_L)	60-100 sec
Peak Temperature (T_P)	260°C
Time within 5 °C of Actual Peak Temperature: $T_P - 5^\circ\text{C}$	30 s
Ramp- Down Rate from Peak Temperature	6°C /second max.
Time 25°C to peak temperature	8 minutes max.
Reflow times	3 times

DISCLAIMER

1. Above specification may be changed without notice. EVERLIGHT will reserve authority on material change for above specification.
2. The graphs shown in this datasheet are representing typical data only and do not show guaranteed values.
3. When using this product, please observe the absolute maximum ratings and the instructions for use outlined in these specification sheets. EVERLIGHT assumes no responsibility for any damage resulting from use of the product which does not comply with the absolute maximum ratings and the instructions included in these specification sheets.
4. These specification sheets include materials protected under copyright of EVERLIGHT. Reproduction in any form is prohibited without the specific consent of EVERLIGHT.
5. This product is not intended to be used for military, aircraft, automotive, medical, life sustaining or life saving applications or any other application which can result in human injury or death. Please contact authorized Everlight sales agent for special application request.
6. Statements regarding the suitability of products for certain types of applications are based on Everlight's knowledge of typical requirements that are often placed on Everlight products in generic applications. Such statements are not binding statements about the suitability of products for a particular application. It is the customer's responsibility to validate that a particular product with the properties described in the product specification is suitable for use in a particular application. Parameters provided in datasheets and/or specifications may vary in different applications and performance may vary over time. All operating parameters, including typical parameters, must be validated for each customer application by the customer's technical experts. Product specifications do not expand or otherwise modify Everlight's terms and conditions of purchase, including but not limited to the warranty expressed therein.