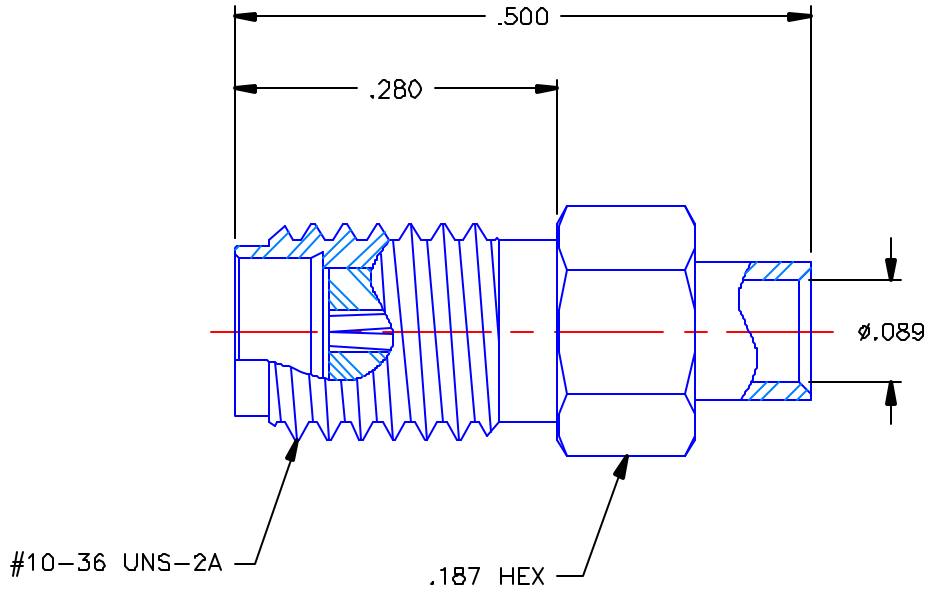


REVISIONS			
REV	DESCRIPTION	DATE	APPROVED
-	INITIAL RELEASE	05/06/02	D.N.

PROPRIETARY INFORMATION
NOT TO BE RELEASED
WITHOUT WRITTEN PERMISSION
FROM AN AUTHORIZED
REPRESENTATIVE OF
APPLIED ENGINEERING PRODUCTS



NOTES:


MATERIALS:

1. BODY = STAINLESS STEEL PER ASTM A582, ALLOY 303, CONDITION "A".
2. INSULATOR = VIRGIN WHITE TEFLON PER ASTM D1710, GRADE 1, TYPE I, CLASS "B".
3. CONTACT = BERYLLIUM COPPER PER ASTM B196, ALLOY C17300, TEMPER TD04.

FINISHES:

1. BODY & CONTACT = GOLD PLATE PER MIL-G-45204, TYPE II, CLASS 1, GRADE C, OVER .00010 TO .00020 STRESS FREE SULFAMATE NICKEL PER QQ-N-290.

ROCKWELL P/N: 357-7528-050

UNLESS OTHERWISE SPECIFIED DIMENSIONS ARE IN INCHES TOLERANCES ON	DWN:	DATE	 APPLIED ENGINEERING PRODUCTS 104 John W Murphy Dr. New Haven, CT 06513
	D.N.	04/22/02	
DECIMAL	ANGLE	CHKD:	SSMA STRAIGHT JACK DIRECT SOLDER FOR .085 S/R CABLE
		A.D.M.	
		APVD:	SIZE FSCM NO. DWG. NO. REV A 19505 9761-1583-110 - SCALE 6:1 SHEET 1 OF 1
		D.J.C.	
REFERENCE:	MATERIALS & FINISHES:		
ORIGINATOR: D.N. DATE: 04/22/02	SEE NOTES		

9761-1583-110