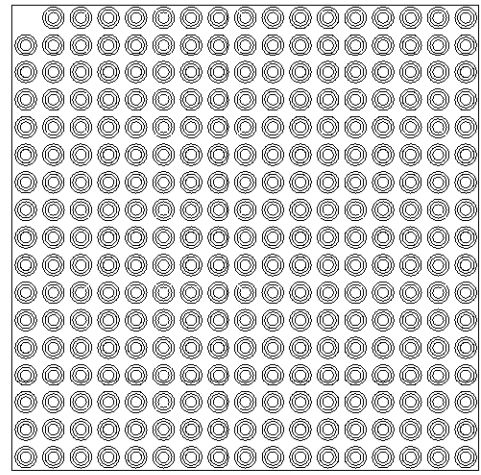


DRAWING NO
C - 799371

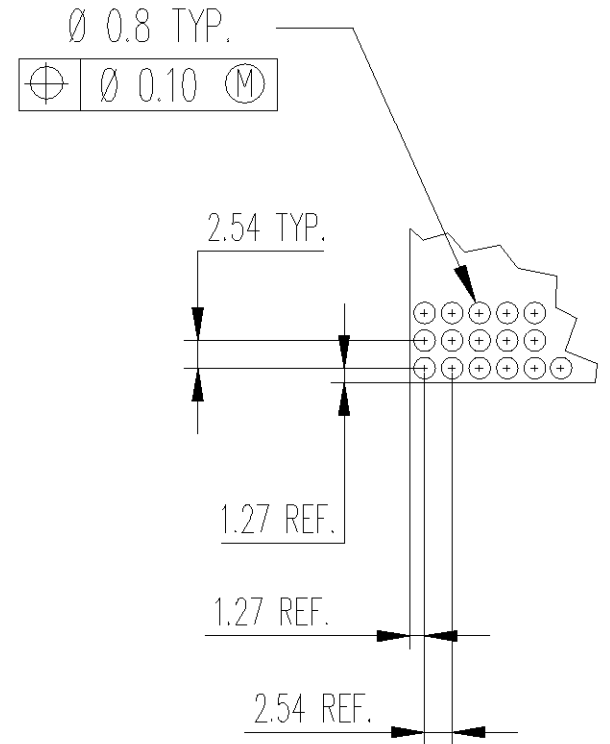
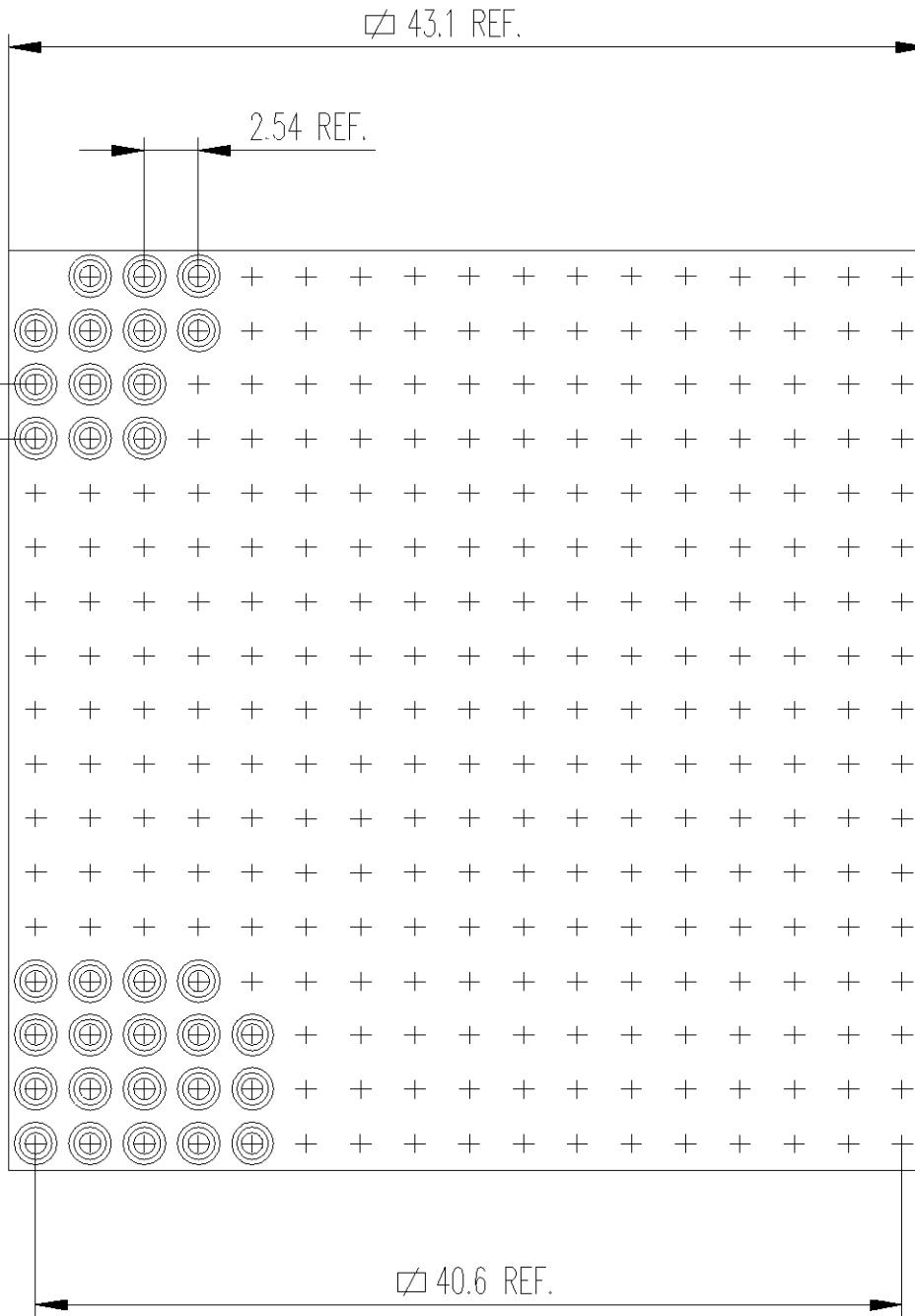


288 positions
Ech. 1:1

NOTE :

1. MATERIAL
 - INSULATOR : GLASSFILLED THERMOPLASTIC POLYESTER
 - SOLDER TAIL SLEEVE : BRASS
 - CLIP : STAMPED BERYLLIUM COPPER
2. SLEEVE PLATING:
 - PREFIX "0-" AND "2-": 5µm Sn/Pb OVER 2-3µm Ni
 - PREFIX "1-" AND "3-": 0.25µm Au OVER 2-3µm Ni
3. INNER CONTACT PLATING
 - SUFFIX "-1" 0.25µm 18c. Au
 - SUFFIX "-3" 0.75µm 18c. Au
 - SUFFIX "-4" 0.75µm 24c. Au
 - SUFFIX "-5" 5µm MIN. Sn/Pb **
 - SUFFIX "-6" 0.1µm FLASH 24c. Au
 - SUFFIX "-7" 0.70µm 18c. Au
 - ** ONLY WITH PREFIX "0-" AND "2-"
4. INNER SPRING CONTACT ACCEPT Ø 0.40 TO 0.56
OR RECTANGULAR PIN 0.25 x 0.45
5. INSERTION CHARACTERISTICS:
 - PREFIX "0-" AND "1-": VERY LOW FORCE
 - PREFIX "2-" AND "3-": ULTRA LOW FORCE
6. MECHANICAL DATA WITH A Ø 0.43 TEST PIN :

	VLI	ULI
-MAX. INSERTION FORCE :	0.7N	0.2N
-MIN. EXTRACTION FORCE :	0.1N	0.05N
-MECHANICAL LIFE : 100 CYCLES MIN.		



RECOMMENDED P.C.
BOARD PATTERN

DIMENSIONS	mm						DRAWN S. CHANDEVault 19 APR 00	THIS INFORMATION IS CONFIDENTIAL AND IS DISCLOSED TO YOU ON CONDITION THAT NO FUTHER DISCLOSURE IS MADE BY YOU TO OTHER THAN AMP PERSONNEL WITHOUT WRITTEN AUTHORIZATION FROM DSM SWITZERLAND.				
							CHECKED E. BRESSOUD 19 APR 00					
SURFACE TEXTURE							APPROVED A. BOLIS 19 APR 00					
CONCENTRICITY	0.15						CUSTOMER DRAWING	NAME CLOSED FRAME TEST PGA 17 x 17, 288 SOCKETS				
PRODUCT SPEC.		P	REV	ECN	DRWN	DATE	APVD		FOR REFERENCE ONLY			
AMP DSM DECOLLETAGE SA SAINT-MAURICE CH 1890 SAINT-MAURICE (VS)							LOC EK	SCALE 2/1	SIZE A4	DRAWING NO C - 799371	SHEET 1 of 1	REVISION 0

WAS 700-288-17-D-CJ