

VCXO-105M

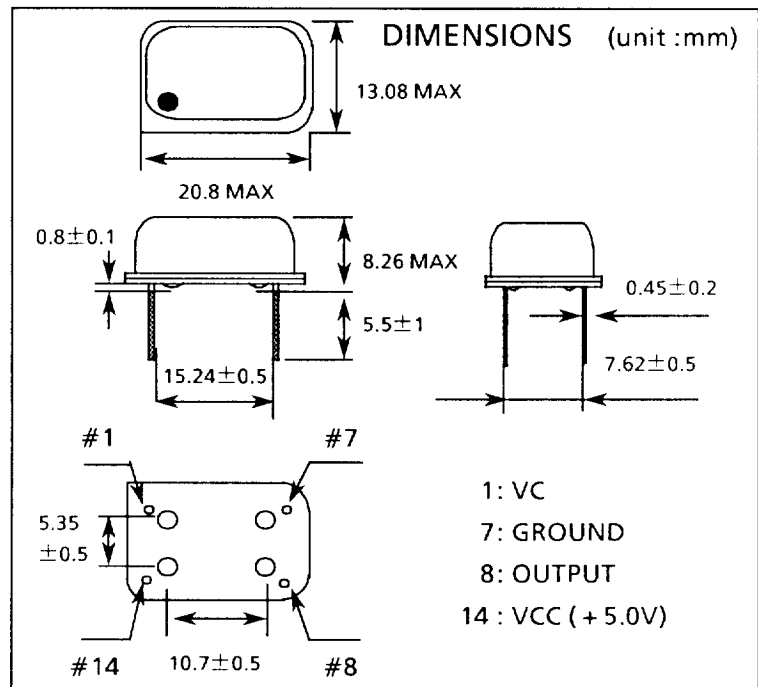
Voltage Controlled Crystal Oscillator (HC-MOS Compatible Output)

[Features]

- "Small Size" as small as 2.2cc (20.8×13.08×8.26mm)
- All-metal welded package
- Using welded crystal
- Hybrid-IC circuit construction
- HC-MOS Compatible Output

[Typical Application]

- Phase locked loop
- Digital switching system



[Specifications]

MODEL	VCXO-105M
Frequency range	27 MHz
Frequency temperature characteristics	$\pm 40 \times 10^{-6} / -20^{\circ}\text{C to } +70^{\circ}\text{C}$
Operable temperature range	$-20^{\circ}\text{C to } +70^{\circ}\text{C}$
Storage temperature	$-40^{\circ}\text{C to } +85^{\circ}\text{C}$
Frequency aging	$\pm 5 \times 10^{-6}$ max / year
Frequency Deviation	$\pm 100 \times 10^{-6}$ min / +0.5 V to +4.5 V (VC)
Frequency tuning Voltage	+2.5 V \pm 0.5 V (at +25°C)
Power Supply Voltage	+5.0 V \pm 0.25 V
Power Supply Current	50mA max
Output Load	15pF
Output Level	VOH: +4.5 V min / VOL: +0.5 V max
Output Symmetry	40% to 60% (at +2.5 V DC)
Rise Time / Fall Time	10 ns max / 10 ns max
Vibration	10Hz to 55Hz Amplitude 1mm Cycle 1 minute. 3 directions. 2 hours each
Shock	1000 G
Humidity	60°C 95% / RH 1000 hours
Weight	5 gr

- * If specifications does not meet your requirements. We will design a unit to your requirements.
- * All specifications and details published are subject to change without notice.

KINSEKI, LIMITED