



E-Series Coupler

0.5 – 500 MHz

EPDC-10-1

Features

- Wideband
- Low Insertion Loss

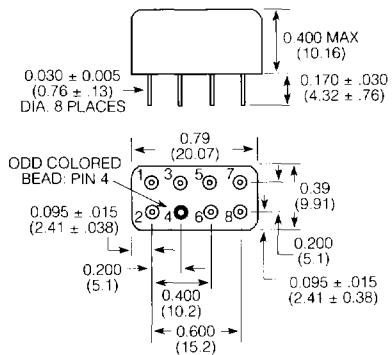
R-2

Specifications @ 25°C

Frequency Range	0.5–500 MHz	
Input Power		
0.5–5 MHz	1.5 W Max	
5–500 MHz	3.0 W Max	
Coupling	Nominal	Flatness
	11.5±0.5 dB	±0.6 dB
Main Line Loss		
0.5–5 MHz	0.85 dB Typ	1.3 dB Max
5–250 MHz	0.65 dB Typ	1.0 dB Max
250–500 MHz	0.85 dB Typ	1.3 dB Max
Directivity		
0.5–5 MHz	32 dB Typ	25 dB Min
5–250 MHz	32 dB Typ	25 dB Min
250–500 MHz	22 dB Typ	15 dB Min
VSWR	1.2 : 1 Typ	

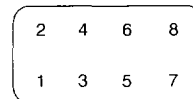
Operating Characteristics

Impedance	50 Ohms Nominal
-----------	-----------------



WEIGHT (APPROX.): 0.23 OUNCES 6.5 GRAMS

Pin Configuration (Top View)



Function	Pin No.
In	1
Out	4
Coupled	3
Case Gnd	2,5,7,8
Not Used	6

Specifications Subject to Change Without Notice

M/A-COM Inc.

1011 Pawtucket Boulevard, Lowell, MA 01853 USA

Telephone: 800-366-2266