

TABLE 1		
DASH NUMBER	CABLES ACCOMMODATED	ASSEMBLE PER
-7	TRC-50-2/TRC-75-2	TAI-189
-9	TWC-78-2/TWC-124-2	TAI-102
-23	250-3884, MICRODOT	TAI-189
-24	202-3934, MICRODOT	TAI-102
-24A	9530A5117, RAYCHEM	TAI-189
-25	T-43M, GENERAL	TAI-102
-25A	5021H5331, RAYCHEM	TAI-189
-26	7028A5518, RAYCHEM	
-27	202-3927, MICRODOT	
-29	TWC-78-1/TWC-124-1A	TAI-102
-30	761A, W.E.CO./8441, BELDEN	
-32	TRC-50-1	
-33	TRC-75-1	
-42	21-204, ESSEX 4463, CONSOLIDATED	TAI-189
-43	250-4044/250-4045 293-3930, MICRODOT	
-45	M27500-22TE2T14 1100-66F, STANDARD	TAI-102
-47	MI7/176-00002	TAI-102
-49	TWAC-78-1F2	
-55	89272, BELDEN	
-56	GC875GC1, GRUMMAN	TAI-189
-57	GC875GB1, GRUMMAN	
-58	GC875TM24H, GRUMMAN	TAI-102
-59	GC875LNI, GRUMMAN	
-60	MI7/177, THERMATICS 380-10045, BOEING	TAI-189
-64	7528A5314, RAYCHEM	

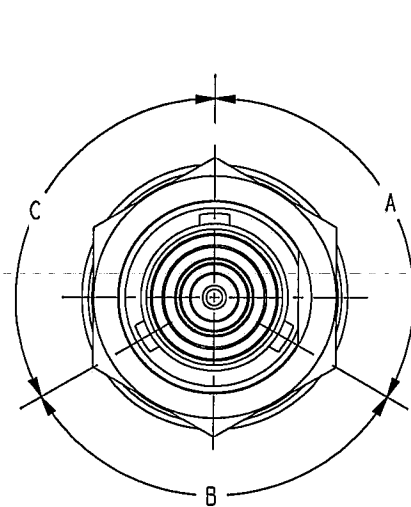
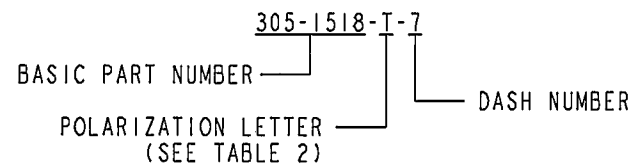
TABLE 2 POLARIZATION CHART			
KEYING LETTER	A DEGREES	B DEGREES	C DEGREES
T	100°	150°	110°
U	120°	130°	110°
V	115°	130°	115°
W	125°	110°	125°
X	130°	100°	130°
Y	110°	140°	110°
Z	100°	160°	100°
S	135°	135°	90°
NONE	120°	120°	120°

4. IF BEND RELIEF SPRING IS REQUIRED, ADD SUFFIX "BR" TO PART NUMBER (SEE FIGURE 2)
3. CONCENTRIC TWINAX/TRIAX TRB BULKHEAD MOUNT CABLE RECEPTACLE, VACUUM READY
2. MAXIMUM PANEL THICKNESS: .160
1. FINISH: TFS-1A (NICKEL)

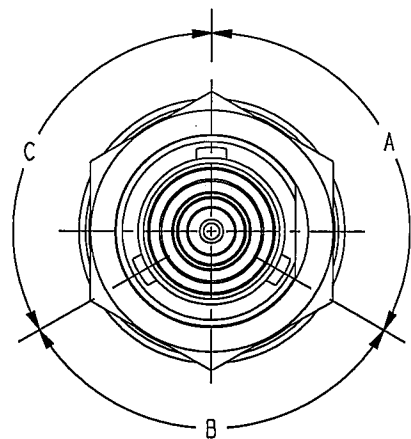
NOTES: UNLESS OTHERWISE SPECIFIED.

7. CHECK WITH CABLE MANUFACTURER FOR OUTGASSING PROPERTIES OF THE SELECTED CABLE
6. ALL MATERIALS MEET THE OUTGASSING REQUIREMENTS OF NASA SPECIFICATION SP-R-0022A AND TEI VACUUM READY SPECIFICATION TT-09

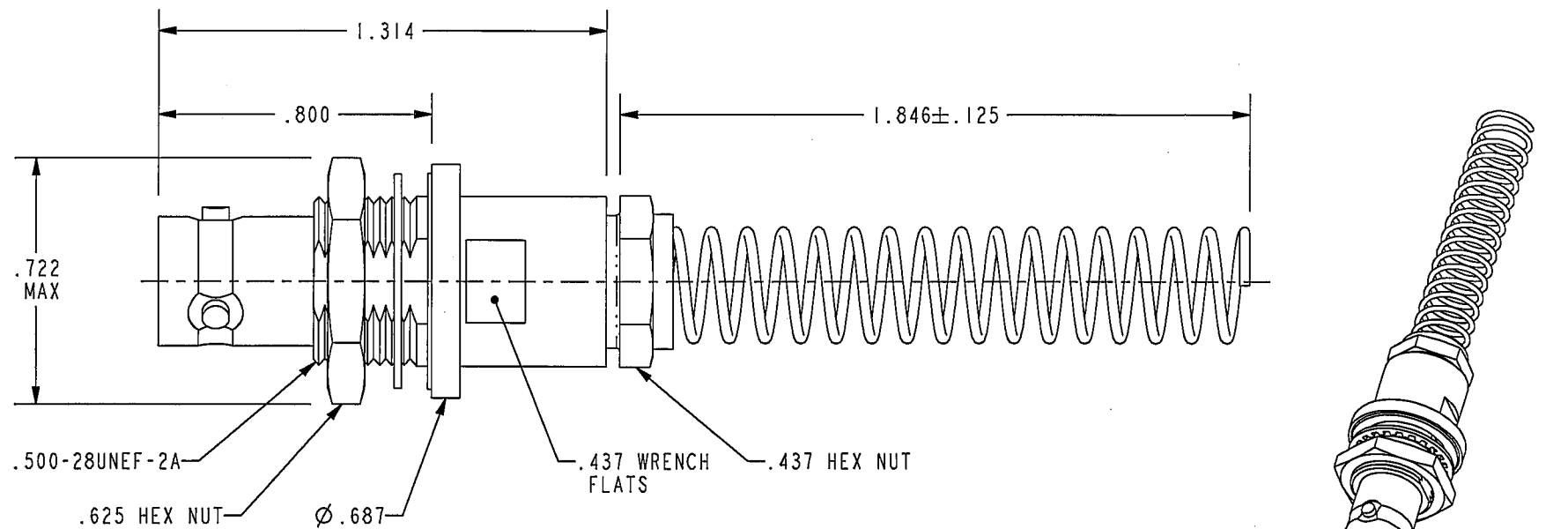
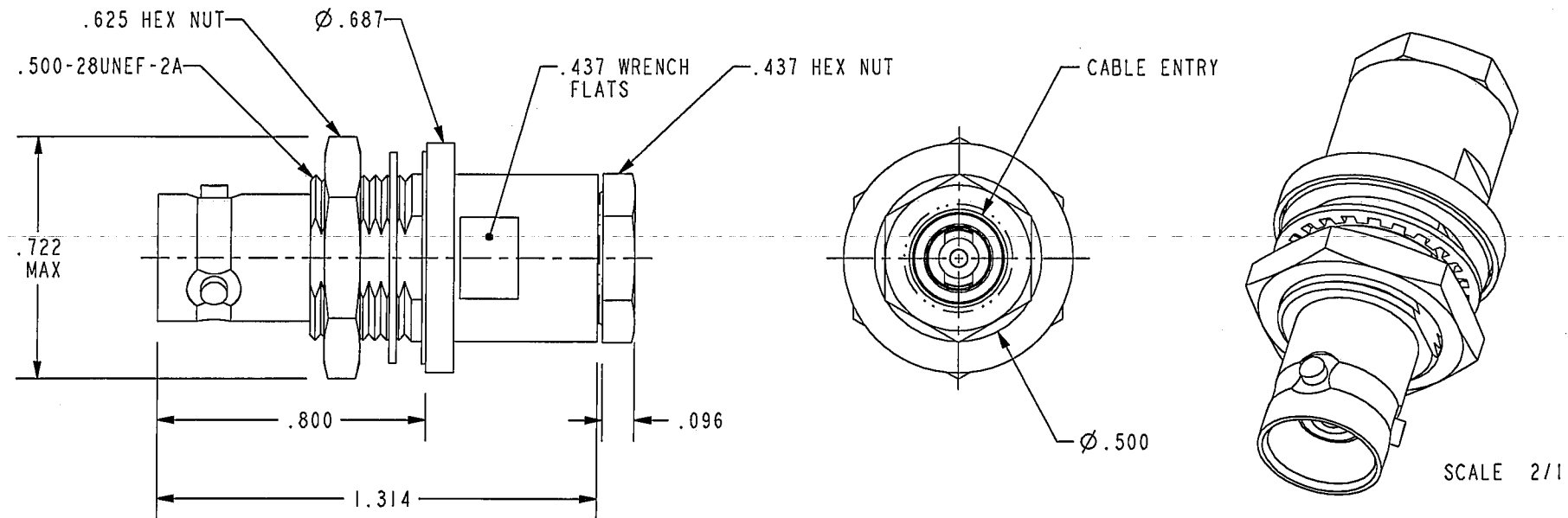
5. EXAMPLE OF COMPLETE PART NUMBER:



-7 SHOWN
FIGURE 1



4 -7 SHOWN
FIGURE 2



SCALE 2/1

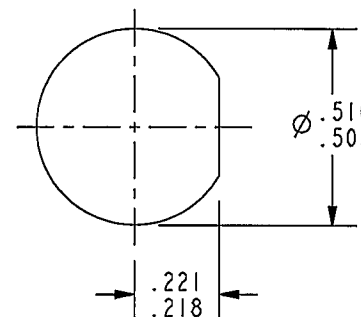
SCALE 1/1

DATA CONTAINED IN THIS DOCUMENT IS PROPRIETARY OF TROMPETER ELECTRONICS INC. AND SHALL NOT BE DISCLOSED, COPIED OR USED FOR PROCUREMENT OR MANUFACTURE WITHOUT EXPRESS WRITTEN PERMISSION.

REVISIONS

REV	DESCRIPTION	DATE	APPROVED
C	REVISED PER ECO 15654	10-13-09	<i>[Signature]</i>

RED INDICATES ORIGINAL



RECOMMENDED
PANEL CUTOUT
SCALE 2/1

INTERPRET DRAWING PER MIL-STD-100. DIMENSIONS ARE IN INCHES AND INCLUDE FINISH THICKNESS UNLESS OTHERWISE SPECIFIED		TOL: UNLESS SPECIFIED .XX ± .02 .XXX ± .010 ANGLE ± 1°				
DRN L.M.	9-27-04	MATERIAL	TITLE: BJ79/T/U/V/W/ X/Y/Z/S/BR VACUUM READY			
CHK TJL	10-8-04	FINISH	SIZE B	CAGE CODE 14949	DRAWING NO. 305-1518	REV C
QUALITY MS	10/13/09		SCALE 2/1	DATE 12-17-01	SHEET 1C	
MANUF B8	10/13		NEXT ASSY	PROJ FILE NO. 305-1518	DO NOT SCALE DWG	
APPROVED <i>[Signature]</i>	10/14/09					