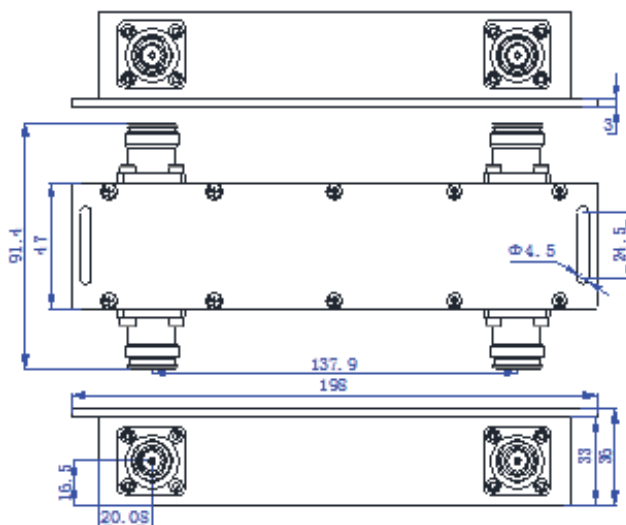


This model was previously released as AHC-03-LX-22-43F-CC.

HC-3LX22-43F-CC

3 dB Hybrid Coupler | 400-2700 MHz | 2 in 2 out | 4.3/10 Female | Indoor/Outdoor | Very Low PIM

Electrical Characteristics	
Frequency Range	400-2700 MHz
Split Ratio	3.0 dB
Insertion Loss	≤ 3.0 dB ± 1.0 dB
Isolation	≥ 25 dB
PIM3 (2x43dBm)	< -160 dBc
VSWR	≤ 1.25
Power Rating	200 W
Peak Power	1.5 kW
Impedance	50Ω
Mechanical Characteristics	
Material	Trimetal
Connectors	4.3/10 Female
Environmental Characteristics	
Operating Temperature	-35° C to +70° C
Application	Indoor / Outdoor
Environmental	IP66
Mounting Characteristics	
Wall Mount	



Quoted performance parameters are provided to offer typical, peak or range values only and may vary as a result of normal testing, manufacturing and operational conditions. Extreme operational conditions and/or stress on structural supports is beyond our control. Such conditions may result in damage to this product. Improvements to products may be made without notice.