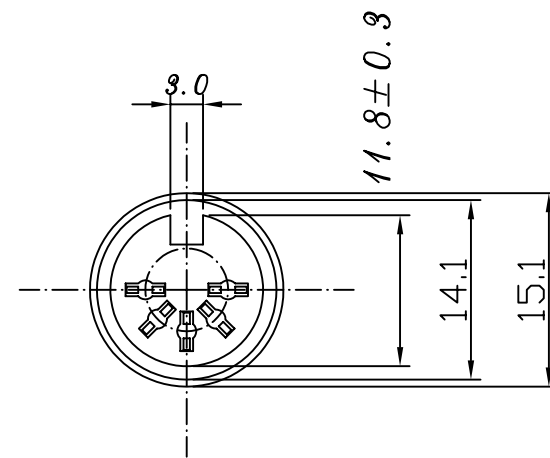
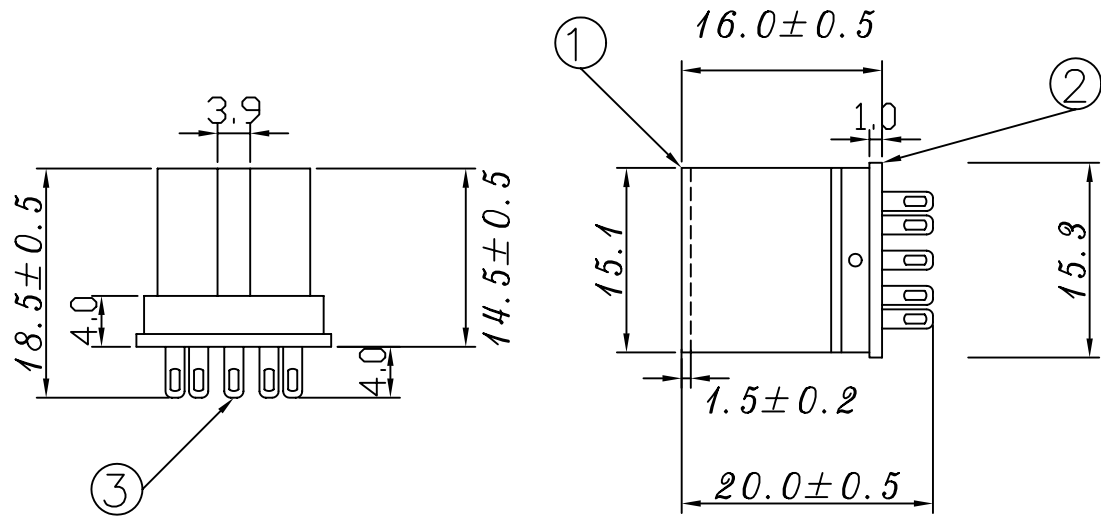


①	銅管鍍鎳
②	塑膠(射)
③	銅片鍍錫



MORETHANALL
CONNECTORS
ASSEMBLIES

焯倫有限公司

PART NO. DM-Sxxx-xx	
DWG NO. DM-Sxxx-xx	
FILE NO.	CHECKED BY CY
UNIT / mm	SCALE 1:1

DRAWING BY	TOLERANCES ARE
PROJECTION	.X ±
	.XX ±
	.XXX ±
	AWG

DESCRIPTION:	DIN JACK MOLDING TYPE
AREA	REVISIONS
	HK
	DATE