

# Customer Information Sheet

DRAWING No.: H05-200XX

SHEET 2 OF 2

IF IN DOUBT - ASK

©

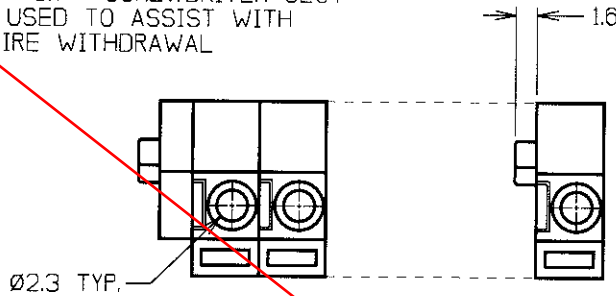
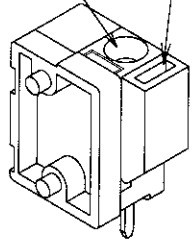
NOT TO SCALE

THIRD ANGLE PROJECTION

ALL DIMENSIONS IN mm

WIRE INLET 14-18 AWG

RELEASE BUTTON - SCREWDRIVER SLOT  
CAN BE USED TO ASSIST WITH  
WIRE WITHDRAWAL



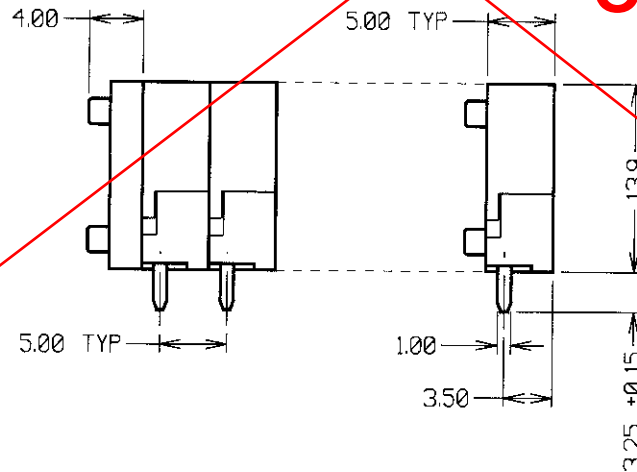
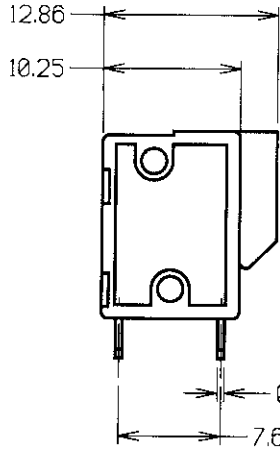
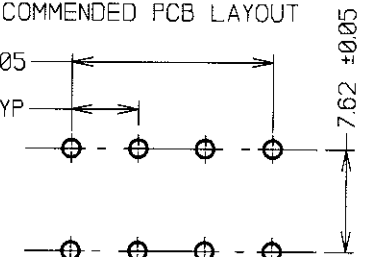
**SPECIFICATIONS:**

**MATERIAL:**  
 CONTACT - BRASS  
 BODY - THERMOPLASTIC UL94V-0, GREEN  
 LEVER - THERMOPLASTIC UL94V-0, ORANGE  
**FINISH:**  
 CONTACT - TIN/STAINLESS STEEL  
**ELECTRICAL:**  
 CURRENT RATING = 15A  
 VOLTAGE RATING = 300V AC  
 VOLTAGE PROOF = 2kV AC  
 INSULATION RESISTANCE = 500 MEGOHMS MIN (AT 500V DC)  
**MECHANICAL:**  
 WIRE RETENTION FORCE = 5Kg MINIMUM  
**ENVIRONMENTAL:**  
 OPERATING TEMPERATURE = -55°C TO +105°C

**RECOMMENDED PCB LAYOUT**

5.00 x No. OF PITCHES PER ROW ±0.05

5.00 ±0.05 TYP



**OBSOLETE**

ORDER CODE:

**H05-200XX**

No. OF WIRE  
INLETS  
01 TO 36

JAE	8	24.10.03	7688
NAME	ISS.	DATE	C/NOTE
APPROVED: <i>[Signature]</i>			
CHECKED: <i>[Signature]</i>			
DRAWN: P. D COLLINS			
CUSTOMER REF.:			
ASSEMBLY DRG:			

**HARWIN**

THIS DRAWING AND ANY INFORMATION OR DESCRIPTIVE MATTER SET OUT HEREON ARE CONFIDENTIAL AND COPYRIGHT PROPERTY OF THE HARWIN GROUP AND MUST NOT BE DISCLOSED, LOANED, COPIED OR USED FOR MANUFACTURING, TENDERING OR FOR ANY OTHER PURPOSE WITHOUT THEIR WRITTEN PERMISSION.

**TOLERANCES**

X. = ±1mm  
 X.X = ±0.25mm  
 X.XX = ±0.10mm  
 X.XXX = ±0.01mm  
 ANGLES = ±5°  
 UNLESS STATED

**MATERIAL:**

SEE ABOVE

FINISH: SEE ABOVE

S/AREA: mm<sup>2</sup>

**TITLE:**

SCREWLESS TERMINAL BLOCK  
(TOP ENTRY)

DRAWING NUMBER:

**H05-200XX**

HARWIN INC  
U.S.A.  
TEL: (812) 542 2546  
FAX: (812) 542 2541

HARWIN PLC  
U.K.  
TEL: 023 9237 0451  
FAX: 023 9231 4590

HARWIN PTE  
SINGAPORE  
TEL: 65 6779 4909  
FAX: 65 6779 3868

SHT  
2  
OF  
2