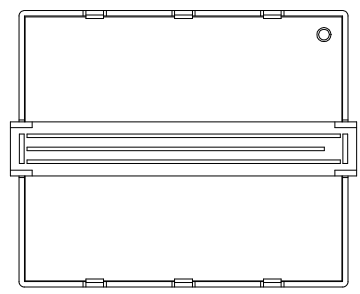
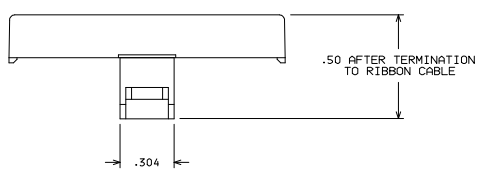
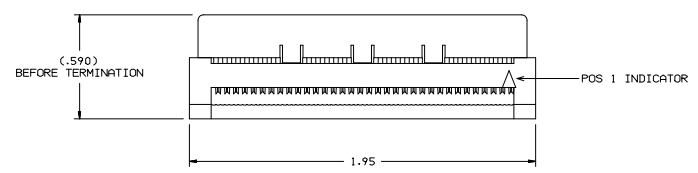
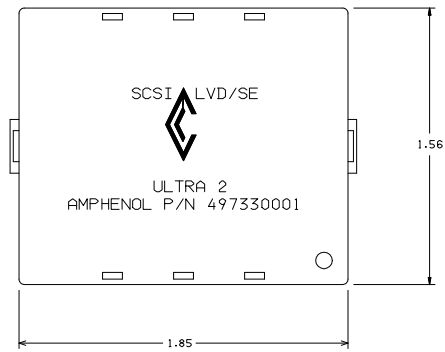
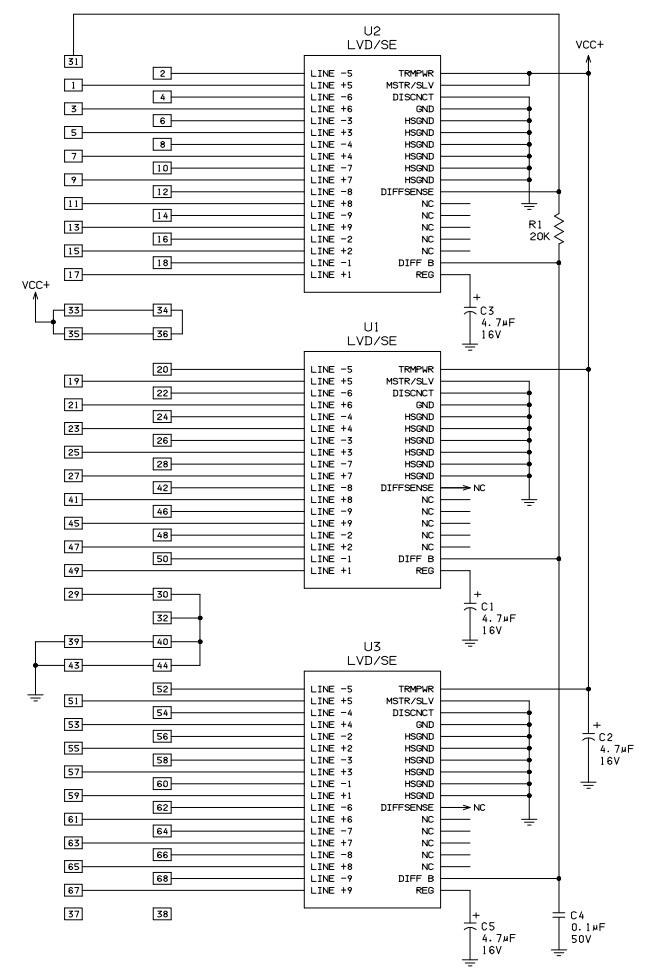


REVISIONS				
ZONE	LTR	DESCRIPTION	DATE	APPROVED
		CUSTOMER DRAWING		

LVD/SE SCHEMATIC



RECOGNIZED UNDER THE COMPONENT PROGRAM OF UNDERWRITERS LABORATORIES INC., FILE No. E123634.



CERTIFIED BY CANADIAN STANDARDS ASSOCIATION, FILE No. LR 53826.



UNLESS OTHERWISE SPECIFIED DIMENSIONS ARE IN INCHES TOLERANCE ON		EAR NO.	Amphenol Interconnect Products 20 VALLEY ST. PHONE (888) 275-2472 ENDICOTT, NY 13760 FAX (607) 786-4311	
PRECISION	DECIMAL	SIGNATURES		DATE
.X	.XX	DRAWN J LaShier		11/99
.XXX		CHECKED		
ANGLE		APPROVED		
		APPROVED		
CAD DRAWING		SIZE	497330001	
		SCALE: 3 / 1	SHEET 1 OF 1	