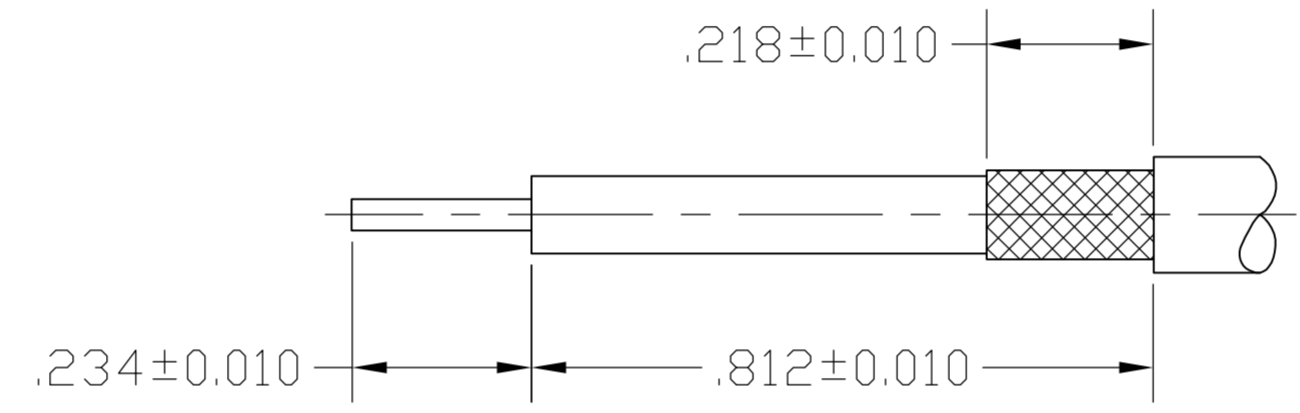
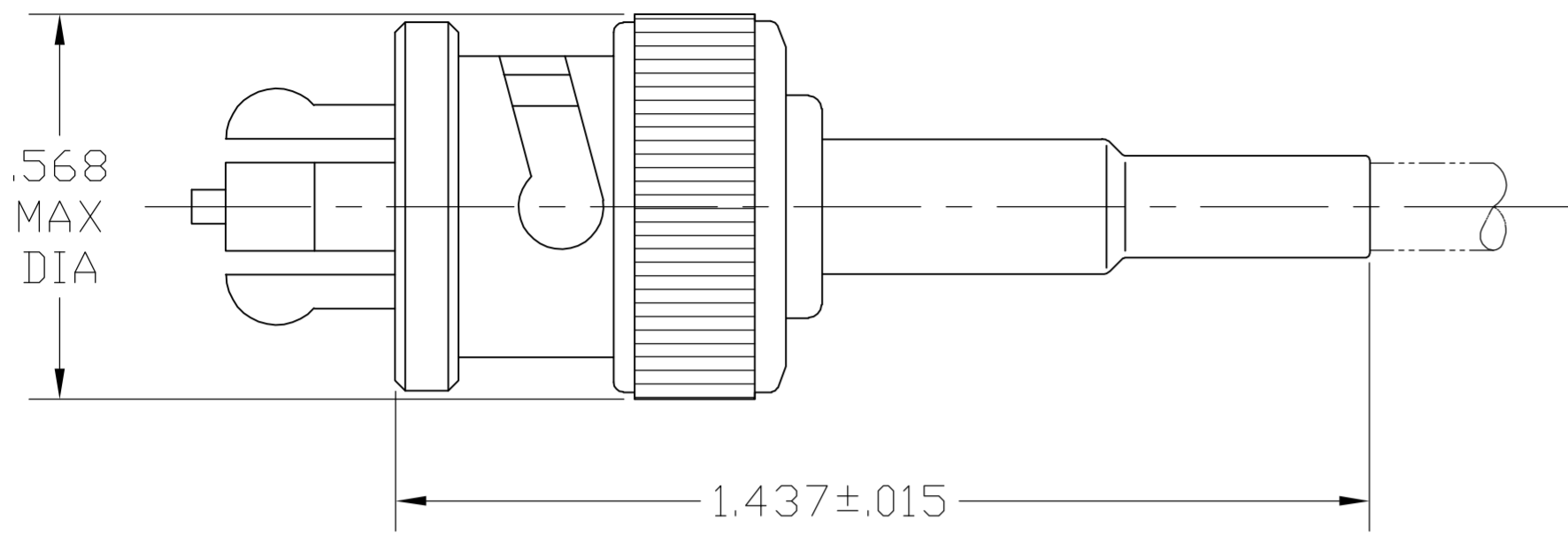


THIS DRAWING IS UNPUBLISHED. RELEASED FOR PUBLICATION  
 © COPYRIGHT BY TYCO ELECTRONICS CORPORATION. ALL RIGHTS RESERVED.

LOC	DIST	REVISIONS					
AJ	16	P	LTR	DESCRIPTION	DATE	DWN	APVD
		P		REVISED PER EC OS14-0499-04	27JULY05	BM	JL

1. SEE INSTRUCTION SHEET 408-2187



RECOMMENDED STRIP LENGTH

	RG-58A/U & RG-58C/U	-	220022-1	-	9-50427-1	51427-3	51437-3	9-51426-1
	RG-59/U, 59A/U, 59B/U, 62/U, 62A/U & 62B/U	-	220022-2	-	50428-1	51475-3	51437-2	9-51426-0
OBSOLETE	SPECIAL CUSTOMER CABLE	-	-	-	2-329461-7	225418-3	51437-6	1-51426-2
OBSOLETE	RG-59/U, 59A/U & 59B/U	-	-	-	50428-2	51475-3	51437-4	1-51426-1
	RG-174/U & RG-188/U	-	220009-1	21427-5	9-328666-0	225418-3	51437-6	51426-8
OBSOLETE	RG-174/U & RG-188/U	.506	220009-1	21427-5	2-328666-3	225418-3	51437-5	51426-7
OBSOLETE	RG-58A/U & RG-58C/U	-	220022-2	-	1-328460-1	51475-3	51437-4	51426-6
	RG-59/U, 59A/U, 59B/U, 62/U, 62A/U & 62B/U	.496	220022-2	-	9-50428-0	51475-3	51437-4	51426-5
	RG-58A/U & RG-58C/U	.512	220022-1	-	9-50427-1	51427-3	51437-3	51426-4
OBSOLETE	RG-71/U	-	220022-2	-	329460	51475-3	51437-2	51426-3
	RG-59/U, 59A/U, 59B/U, 62/U, 62A/U & 62B/U	-	220022-2	-	50428-1	51475-3	51437-2	51426-2
	RG-58A/U & RG-58C/U	.458	220022-1	-	50427-1	51427-3	51437-1	51426-1
	CABLE SIZE	WEIGHT (OZ)	CRIMP TOOL	④ BUSHING QTY=1	③ FERRULE QTY=1	② CONTACT QTY=1	① PLUG ASSY QTY=1	PART NUMBER

THIS DRAWING IS A CONTROLLED DOCUMENT.

DWN	R. SAMICK	25SEP03
CHK	G. MICHAEL	25SEP03
APVD	G. MICHAEL	25SEP03

**tyco** Electronics  
 Tyco Electronics Corporation  
 Harrisburg, Pa 17105-3608

NAME: \_\_\_\_\_  
 PRODUCT SPEC: \_\_\_\_\_  
 APPLICATION SPEC: \_\_\_\_\_

SIZE: A2 CAGE CODE: 00779 DRAWING NO: C=51426 RESTRICTED TO: \_\_\_\_\_

WEIGHT: - SCALE: 4:1 SHEET: 1 OF 1 REV: P

CUSTOMER DRAWING