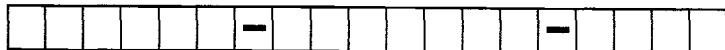
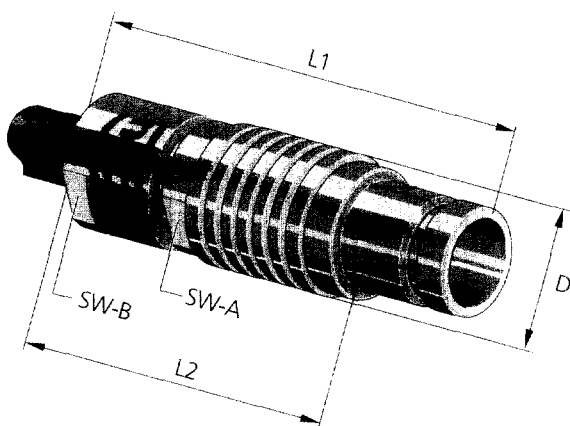


Part Number Key



Housing: Plug (Series S, B, F)

- S 1** - IP 50 ODU-MINI-SNAP STRAIGHT PLUG,
mates with all following panel-mounted receptacles- and in-line receptacles.
- S 3** - IP 67

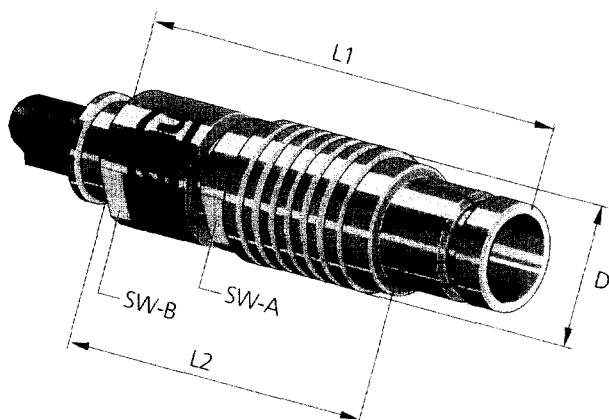


Technical Data

- with water-tight collet system meets IP 67 (S3) in mated condition
- with standard collet meets IP 50 (S1) in mated condition
- Contact inserts from Page 16

Size	Dimensions in mm				
	L1	L2	D	SW-A	SW-B
0	~ 38	~ 28	9,4	8	7
1	~ 47	~ 36	12	10	10
2	~ 52	~ 40	15	13	12
3	~ 61	~ 46	18	16	15

- S 2** - IP 50 ODU-MINI-SNAP Straight plug,
with backnut for cable bend relief.
- S 4** - IP 67 Mates with all following plugs and in-line receptacles.



Technical Data

- with water-tight collet system meets IP 67 (S4) in mated condition
- with standard collet meets IP 50 (S2) in mated condition
- Contact inserts from Page 16

Size	Dimensions in mm				
	L1	L2	D	SW-A	SW-B
0	~ 38	~ 28	9,4	8	7
1	~ 46	~ 35	12	10	10
2	~ 51	~ 39	15	13	13
3	~ 60	~ 45	18	16	15